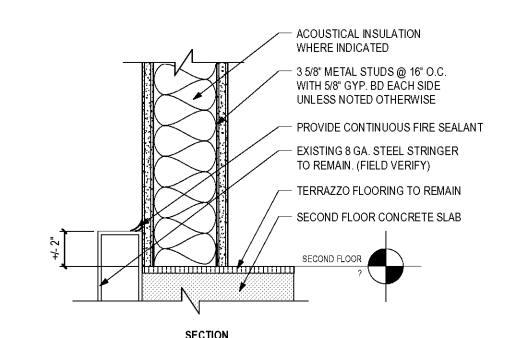
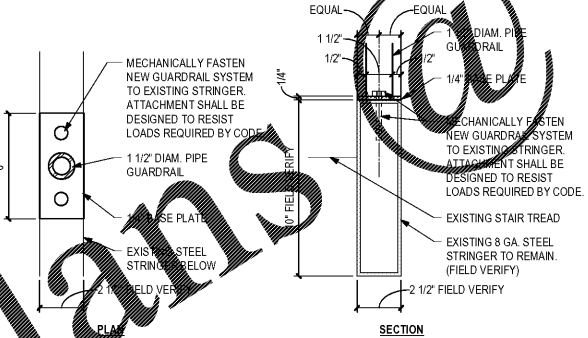
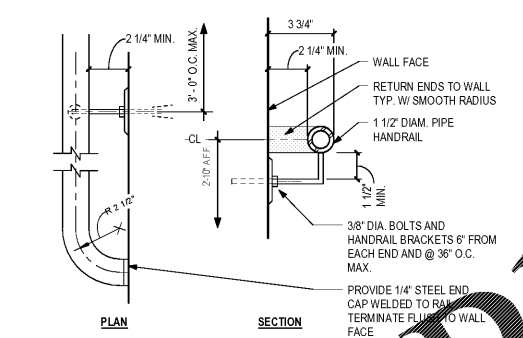


1 @ WEST STAIR TOWER
SCALE: 3/4" = 1'-0"

2 @ EAST STAIR TOWER
SCALE: 3/4" = 1'-0"



3 HANDRAIL ATTACHMENT TO WALL
SCALE: 3" = 1'-0"

4 GUARDRAIL ATTACHMENT TO STRINGER
SCALE: 3" = 1'-0"

5 NEW WALL TO EXISTING BOX BEAM
SCALE: 3" = 1'-0"

Order Plans

WWW.ONLINE.COM

JOHN A. TUTEN & ASSOCIATES
ARCHITECTS
4680 U.S. HIGHWAY 17
BRUNSWICK, GEORGIA 31525
www.jatuten.com

GLYNN ACADEMY HIGH SCHOOL
SCIENCE BLDG. (5015) MODERNIZATION
1001 MANSFIELD ST. BRUNSWICK GA, 31520
GLYNN COUNTY BOARD OF EDUCATION

CAPITAL OUTLAY
PROJECT # TBD
SYSTEM CODE: 663
SCHOOL CODE: 4752
FTE: 1793

STAIR TOWER SECTIONS



ISSUED FOR:
BID SET

DRAWN BY:
CHECKED BY:
APPROVED BY:
01/19/19
PROJECT DATE:
1802
PROJECT NUMBER

SHEET NUMBER:
A6.4

Copyright (c) 2019
All Rights Reserved