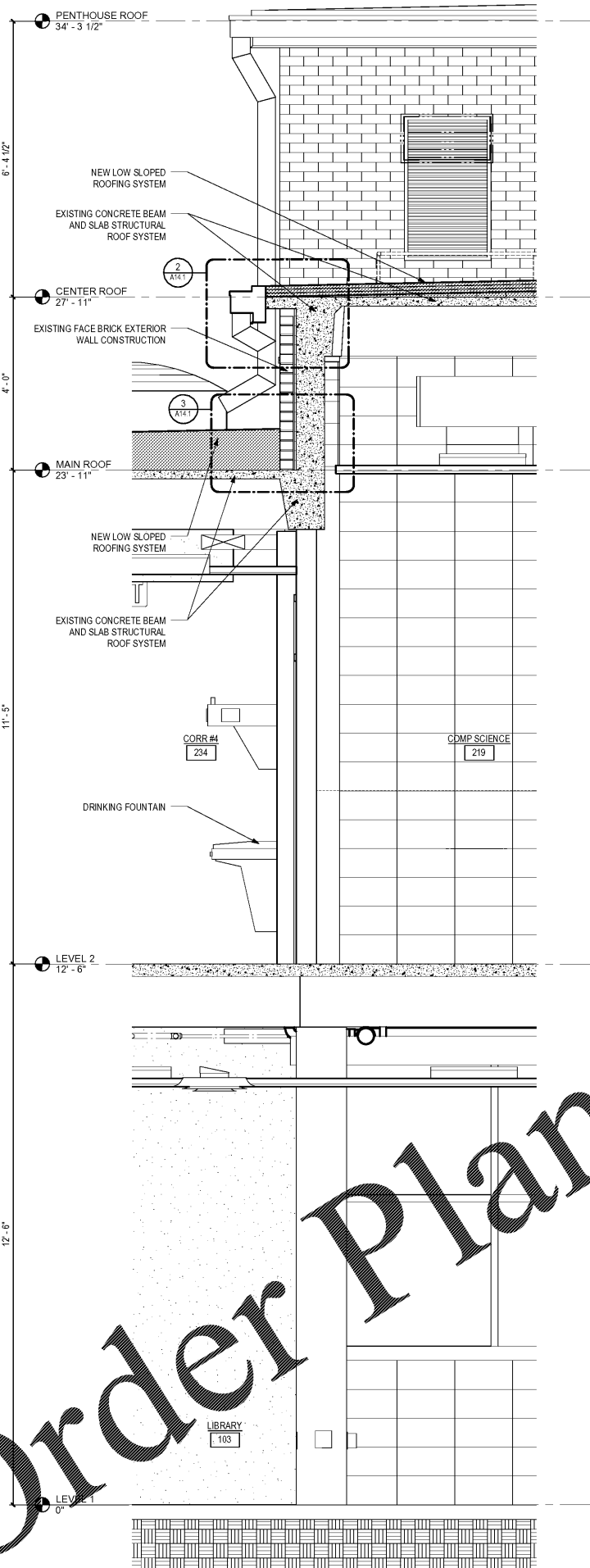
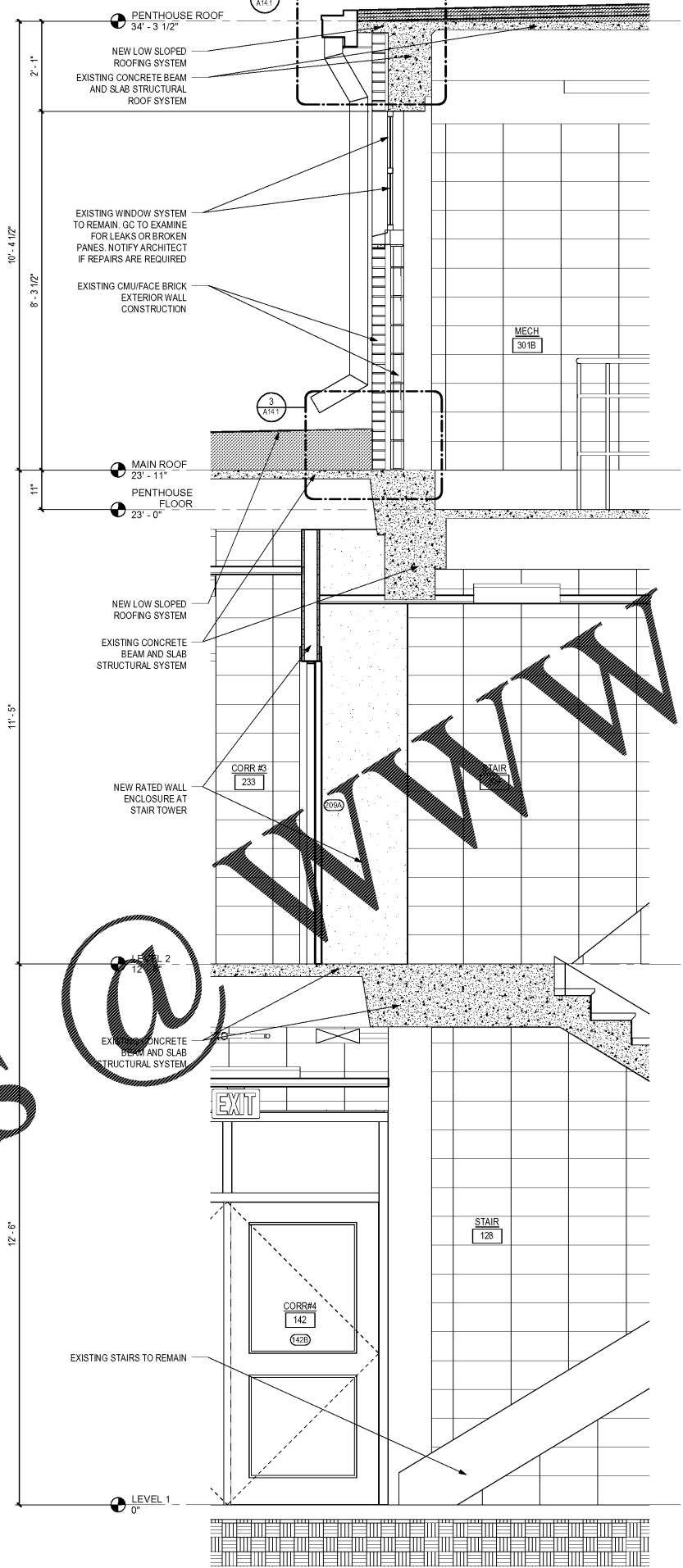


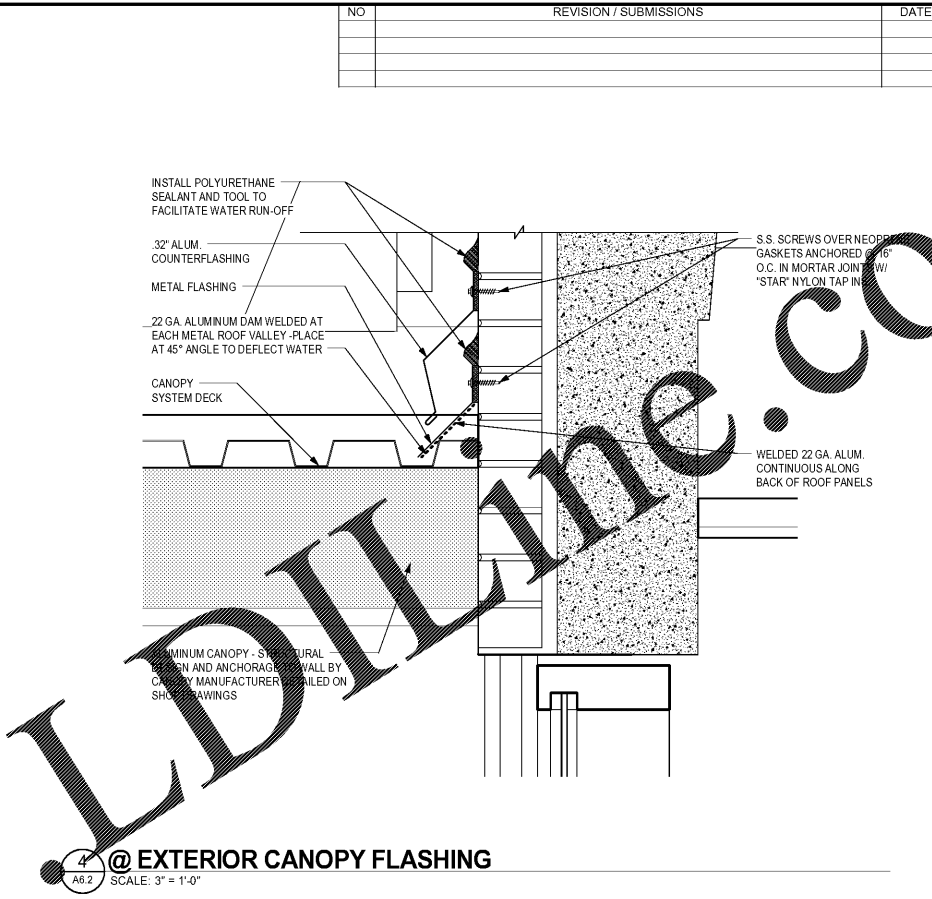
1/18/2019 11:24:26 C:\Users\jcm\Documents\Revit\Local1802\GA Science Building\1802 Science Building.giml.rvt



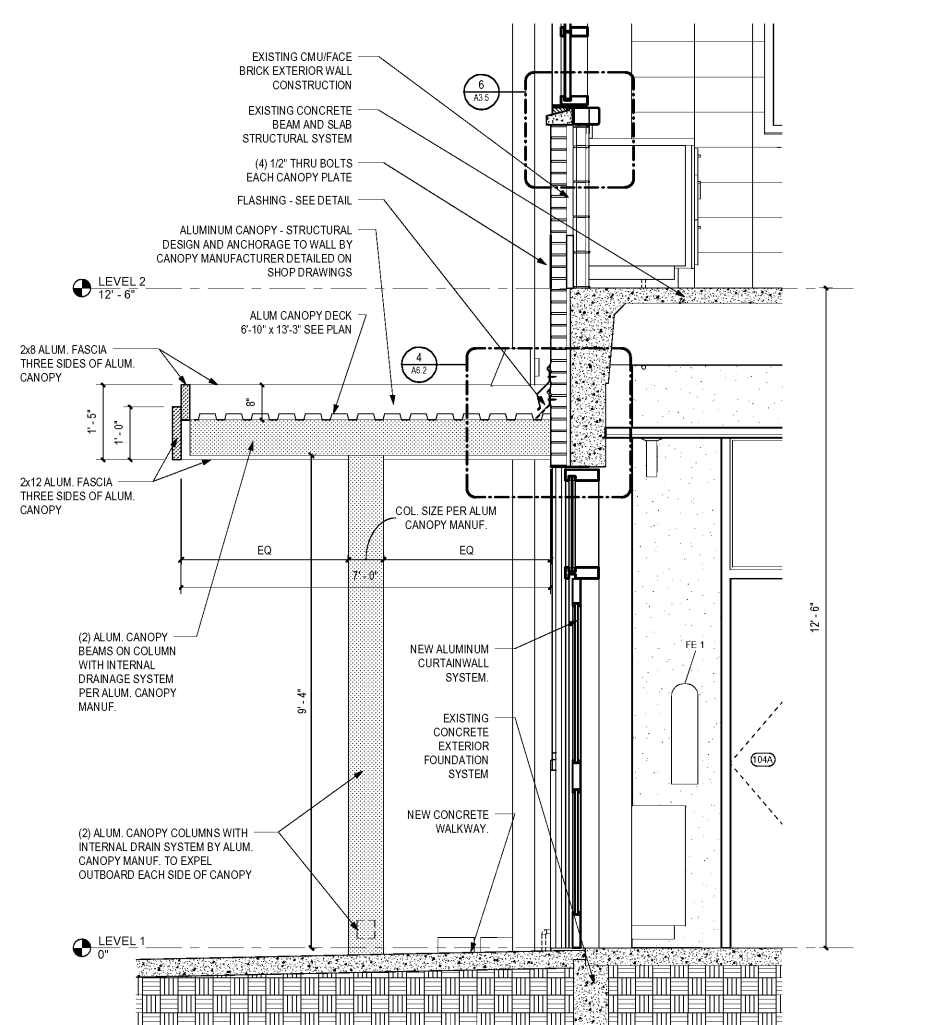
1 @ RAISED ROOF AREA OF BUILDING  
SCALE: 3/4" = 1'-0"



2 @ PENTHOUSE AREA OF BUILDING  
SCALE: 3/4" = 1'-0"



4 @ EXTERIOR CANOPY FLASHING  
SCALE: 3" = 1'-0"



3 @ MEDIA CENTER EXTERIOR EXIT  
SCALE: 3/4" = 1'-0"

Order Plans

WWW.LDILLINE.COM

NO	REVISION / SUBMISSIONS	DATE

JOHN A. TUTEN & ASSOCIATES  
ARCHITECTS  
4680 U.S. HIGHWAY 17  
BRUNSWICK, GEORGIA 31525  
www.jatuten.com

GLYNN ACADEMY HIGH SCHOOL  
SCIENCE BLDG. (5015) MODERNIZATION  
1001 MANSFIELD ST. BRUNSWICK GA, 31520  
GLYNN COUNTY BOARD OF EDUCATION

CAPITAL OUTLAY  
PROJECT # TRD  
SYSTEM CODE: 663  
SCHOOL CODE: 4752  
FTE: 1796

WALL SECTIONS @ ROOFS AND CANOPIES

ISSUED FOR:  
BID SET

DRAWN BY  
CHECKED BY  
APPROVED BY  
01/19/19  
PROJECT DATE  
1802  
PROJECT NUMBER

SHEET NUMBER:  
A6.2

Copyright (c) 2019  
All Rights Reserved