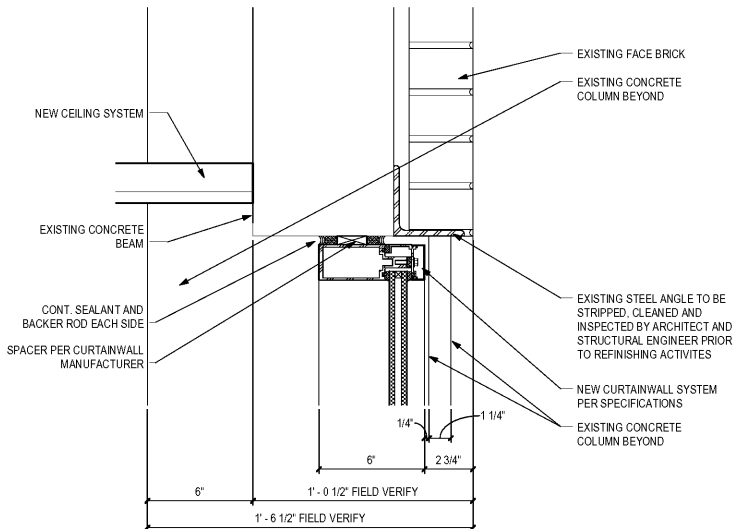
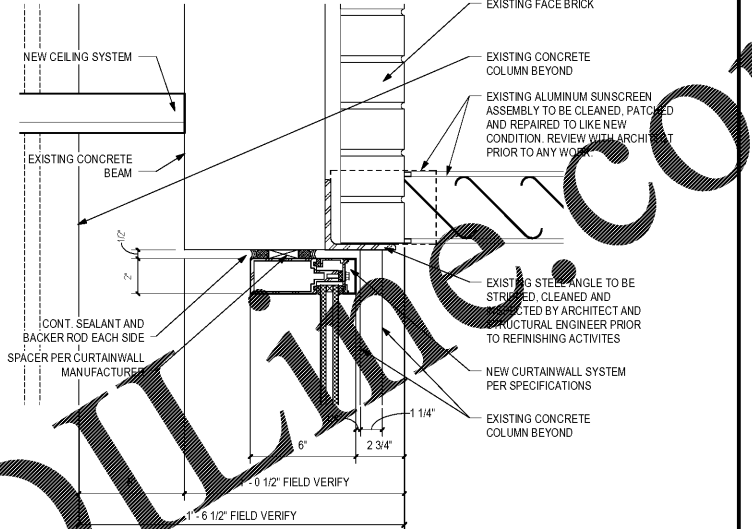


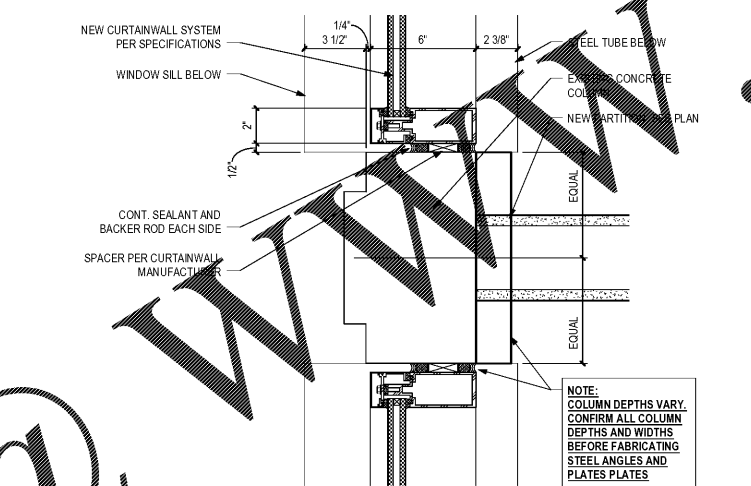
NO	REVISION / SUBMISSIONS	DATE



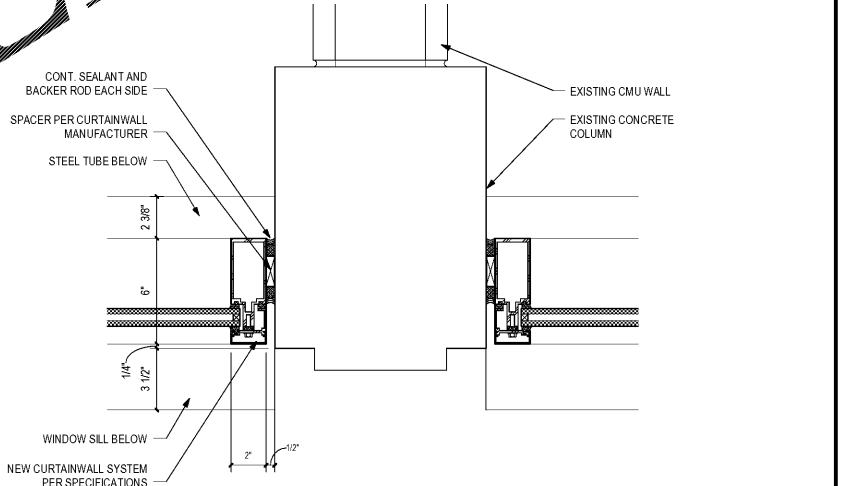
4 CURTAINWALL HEAD - EAST AND WEST SIDE
SCALE: 3" = 1'-0"



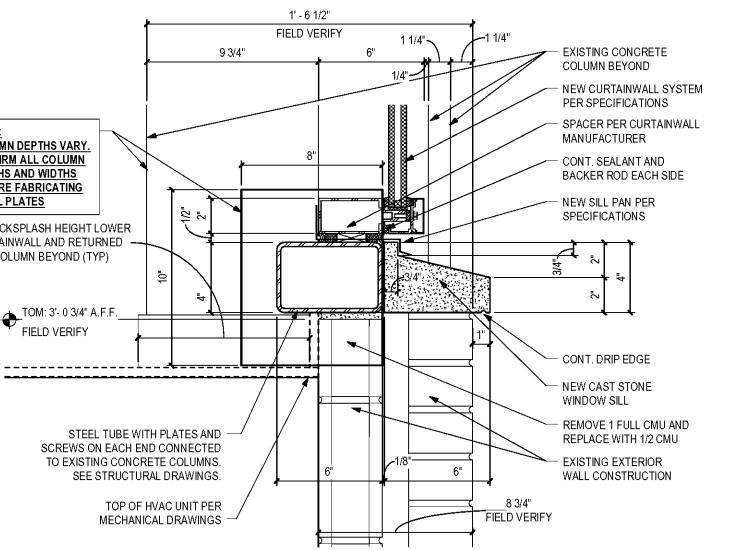
1 CURTAINWALL HEAD - SOUTH AND NORTH SIDE
SCALE: 3" = 1'-0"



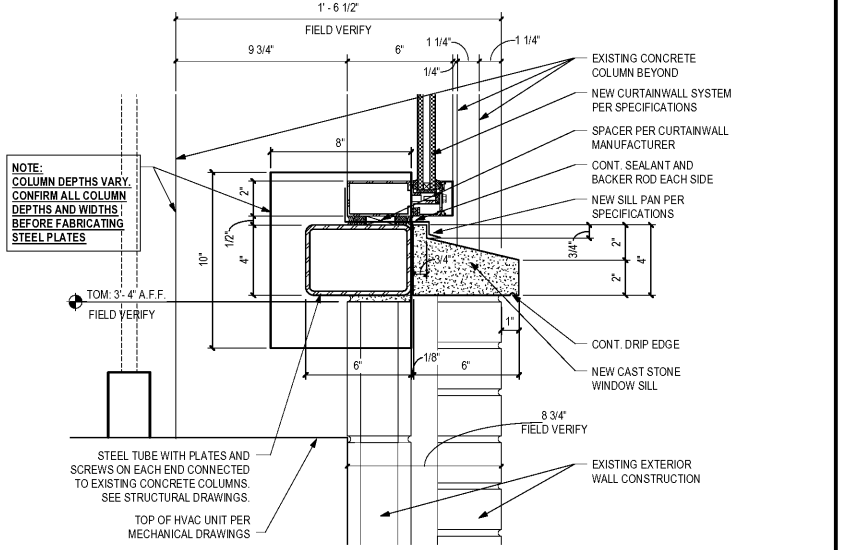
5 CURTAINWALL JAMB - SHALLOW COLUMN
SCALE: 3" = 1'-0"



2 CURTAINWALL JAMB - DEEP COLUMN
SCALE: 3" = 1'-0"



6 CURTAINWALL SILL - SECOND FLOOR
SCALE: 3" = 1'-0"



3 CURTAINWALL SILL - FIRST FLOOR
SCALE: 3" = 1'-0"

JOHN A. TUTEN & ASSOCIATES
ARCHITECTS
4680 U.S. HIGHWAY 17
BRUNSWICK, GEORGIA 31525
www.jatuten.com

GLYNN ACADEMY HIGH SCHOOL
SCIENCE BLDG. (5015) MODERNIZATION
1001 MANSFIELD ST. BRUNSWICK GA, 31520
GLYNN COUNTY BOARD OF EDUCATION

CAPITAL OUTLAY
PROJECT # TRD
SYSTEM CODE: 663
SCHOOL CODE: 4752
FTE: 1796

CURTAINWALL DETAILS

ISSUED FOR:
BID SET

DRAWN BY:
CHECKED BY:
APPROVED BY:
01/19/19
PROJECT DATE:
1802
PROJECT NUMBER

SHEET NUMBER:
A3.5

Copyright (c) 2019
All Rights Reserved

Order Plans