

DRAWING INFORMATION		
DATE	DESCRIPTION	BY
01-09-19	FOR CONSTRUCTION	KM

**N O C A**  
CONSULTANTS / GROUP

4585 140TH AVE. NORTH, SUITE #1001  
CLEARWATER, FLORIDA  
PHONE: (877) 530-0078  
CALL NCA MARKETING FOR PRICING  
NCA JOB# 18-114

ARCHITECT OF RECORD  
**JAMES D. SMITH, AIA**  
522 BAY LN.  
CENTERTVILLE, MA 02632

**Ron Renna, P.E.**  
3231 Drone Field Road  
Lakeland, FL 33811 (863) 646-1258



**dunkin'**  
brand  
STORE #358032  
1291 HWY 11-W  
BRISTOL, TN

REVISION		
No.	DATE	DESCRIPTION

DWG DATE: 2-1-19  
DRAWN BY: CHC  
PROJECT No.: 17182  
DWG TITLE:

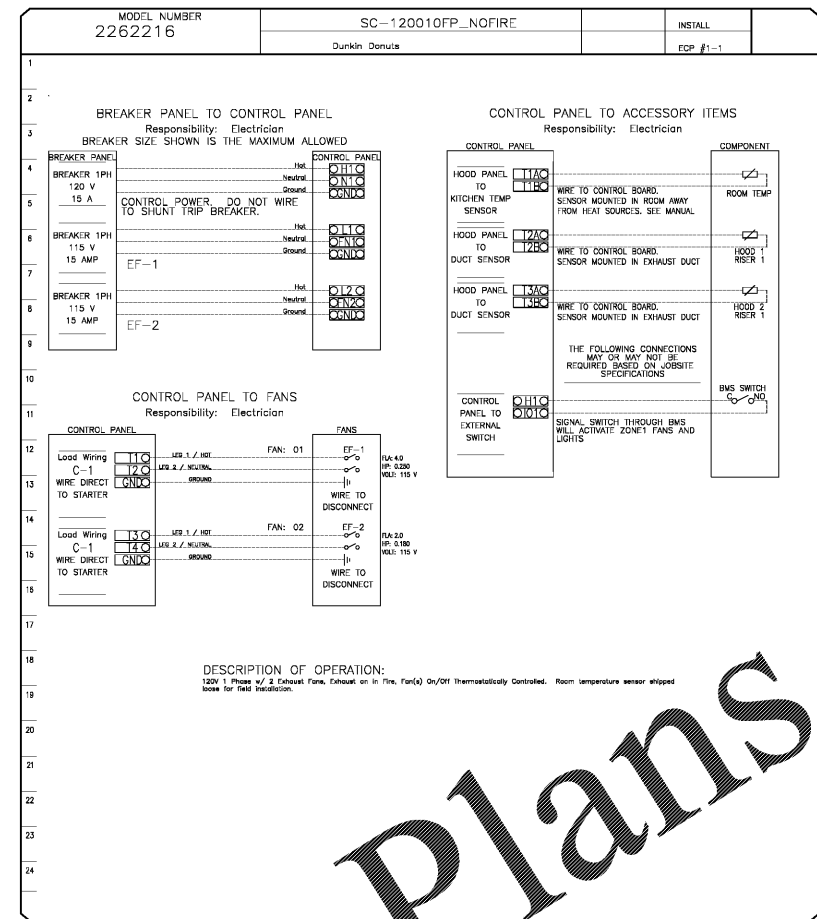
HOOD DETAILS

SHEET No.

M-3

**ELECTRICAL PACKAGES - Job#2262216**

NO.	TAG	PACKAGE #	LOCATION	SWITCHES	OPTION	FANS CONTROLLED
1		SC-120010FP_NOFIRE	Wall Mount In SS Box	SS Wall Mount Box	Smart Controls Thermostatic Control	Exhaust 1 @ 0.250 115 4.0 Exhaust 1 @ 0.180 115 2.0



**NOTE:**  
TO ORDER EXHAUST HOODS AND EXHAUST FANS  
CALL MARKETING AT NCA TOLL-FREE (877)  
530-0078

**SPECIFICATIONS:**  
THE HOOD IS A SINGLE WALL TYPE HOOD WITH NO BUILT-IN  
MAKE-UP AIR CAPABILITIES. THE HOOD COMPONENTS SHALL  
BE FABRICATED OF TYPE 430 S/STEEL, #3 OR #4 POLISH,  
ON ALL EXPOSED SURFACES. THE HOOD SHALL BE PROVIDED  
WITH HANGING ANGLES ON EACH END OF THE HOOD.  
NOMINAL HOOD DIMENSIONS SHALL BE AS SHOWN ON  
DRAWINGS.

**GENERAL NOTES:**  
ALL ELECTRICAL "FIELD" CONNECTIONS AND RELATED INTERCONNECTIONS BY  
ELECTRICAL CONTRACTORS.  
ALL PLUMBING "FIELD" CONNECTIONS AND RELATED INTERCONNECTIONS BY  
PLUMBING CONTRACTORS.  
ALL ASSOCIATED HANGER MATERIALS BY INSTALLING CONTRACTORS.  
8" LONG FACTORY LOCATED AND WELDED HANGER BRACKETS AS SHOWN ON  
PLANS.  
ALL CONNECTIONS FROM EXHAUST DUCT PER THE PLANS BY MECHANICAL  
CONTRACTORS.  
ANY SEISMIC RESTRAINTS ARE THE RESPONSIBILITY OF THE INSTALLING  
CONTRACTORS.  
INSTALLING CONTRACTORS ASSUME ALL RELATED RESPONSIBILITY FOR  
VERIFICATION OF DIMENSIONAL DATA CONTAINED ON THESE DOCUMENTS FOR  
ACCURACY, INTEGRATION, AND ADMINISTRATION OF CODE REQUIREMENTS IN  
EFFECT PRIOR TO ANY RELEASE FOR PRODUCTION OF EQUIPMENT DRAWING.  
SIGNED AND "APPROVED" COPIES OF THIS DOCUMENT MUST BE RECEIVED  
BY THE FACTORY PRIOR TO COMMENCEMENT OF FABRICATION.  
NOMINAL HOOD DIMENSIONS AS SHOWN ON DRAWINGS.

**HOODS SHALL BE  
BUILT IN COMPLIANCE WITH**

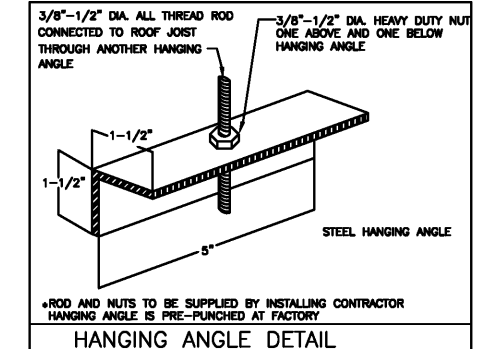
NSF  
UL 710 & UL 610 STANDARDS  
E.T.L. LISTED 3054804-001

**CALCULATIONS UTILIZED**

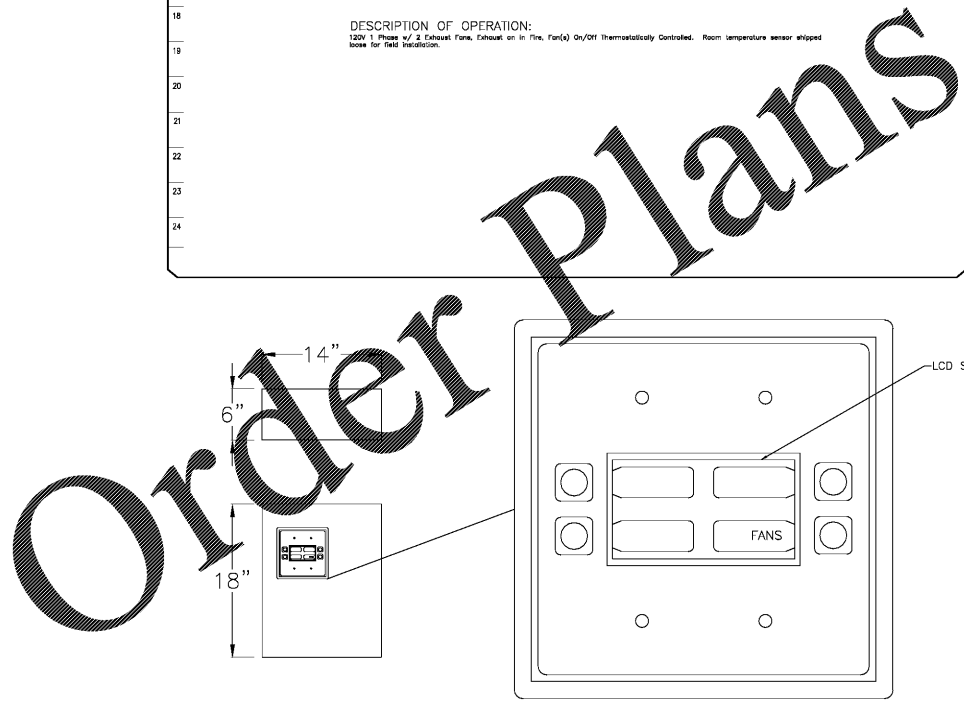
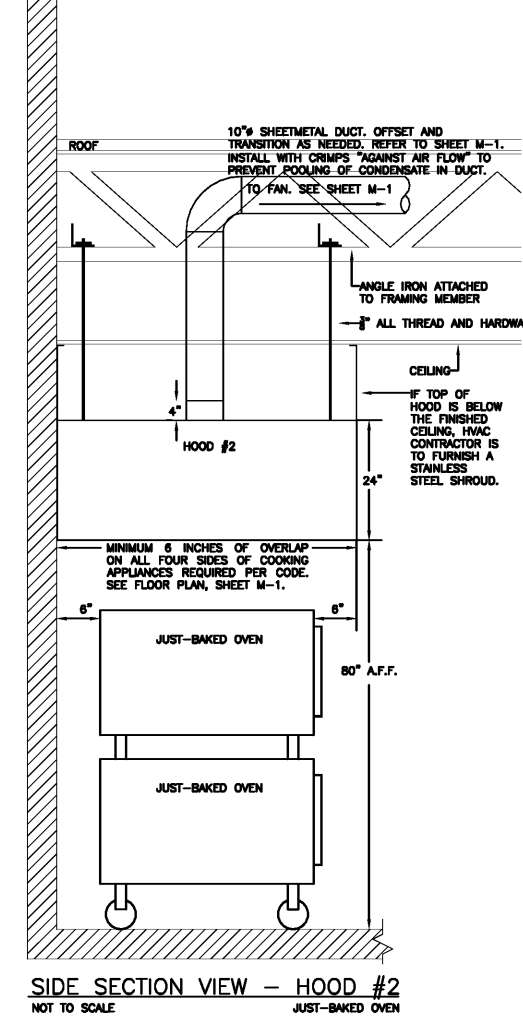
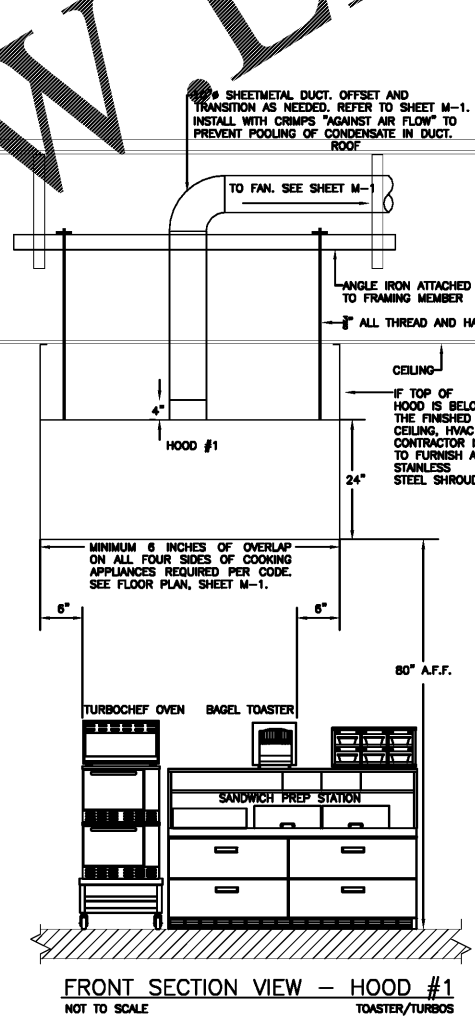
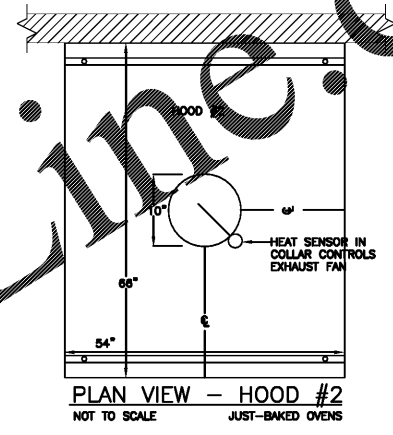
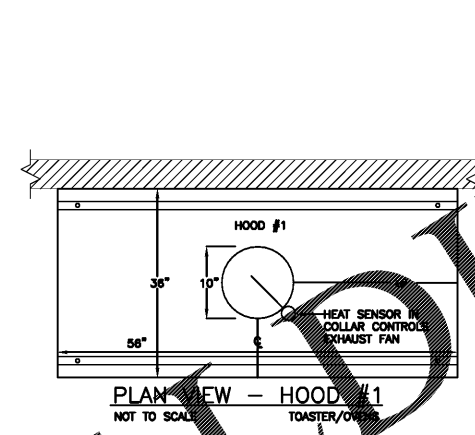
EXHAUST CFM=LENGTH OF HOOD X CFM/LIN.FT. (LOAD)  
SUPPLY CFM=EXHAUST CFM X PERCENTAGE REQUIRED  
TOTAL DUCT AREA=144 X  
CFM  
FPM(\*)

DUCT LENGTH= TOTAL DUCT AREA  
DUCT DEPTH

\*VENTILATOR DUCT SIZES ARE CALCULATED USING EXHAUST  
VELOCITY OF 900-1200 FPM AND A SUPPLY VELOCITY OF 1000 FPM.  
PLEASE CONSULT FACTORY FOR MAXIMUM ALLOWABLE DUCT SIZES



HOOD INFORMATION		EXHAUST PLENUM			HOOD CONSTRUCTION		FILTER(S)			HOOD WEIGHT
HOOD NO.	MAX. COOKING TEMP.	TOTAL EXH. CFM	DIAMETER #	RSEER(S) CFM	S.P.	TYPE	QTY.	HEIGHT	LENGTH	
1	700 DEG.	470	10"	470	-0.168	430 SS 100%	NONE	0		200 LBS.
2	700 DEG.	450	10"	450	-0.069	430 SS 100%	NONE	0		200 LBS.



© Copyright 2018- Drawings, specifications, notes, database, computer files, field data, and reports as instruments of service prepared by the Design of Record. As instruments of services, these items remain the property of the Design of Record, who shall retain all statutory and other reserved rights, including the copyright thereto. Any use, reproduction or changes to these documents without written consent of NCA Consultants is a violation of federal copyright laws.