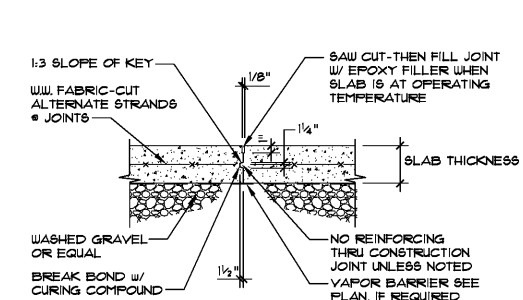


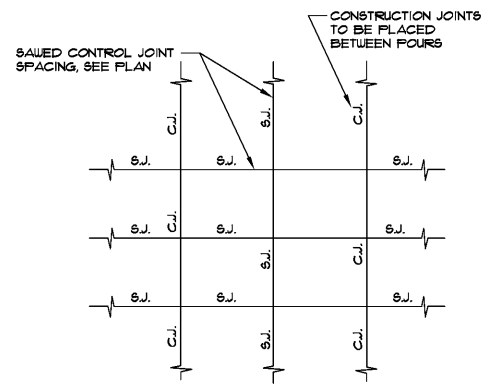
NOTES:
 1) JOINTS WHERE POSSIBLE SHALL BE LOCATED BELOW PARTITIONS AND/OR ON CENTER LINE OF COLUMN GRID. PROVIDE DIAMOND SHAPED JOINT AT ALL COLUMNS.
 2) SAW CUT JOINTS WHERE NOTED IN PLAN USING SOFT-CUT METHOD. CONTROL JOINTS TO BE FORMED WHILE CONCRETE IS STILL PLASTIC OR SAW CUT WITHIN 8 HOURS OF PLACING CONCRETE.
 3) FILL SAW CUT WITH A SELF-LEVELING JOINT SEALANT HAVING A SHORE "A"-SCALE HARDNESS NUMBER OF "80" MINIMUM.
 4) PROVIDE 3/8" MIN THICK PREFORMED EXPANSION JOINT MATERIAL AND NON SAG SEALANT AROUND CORNERS.

D1a SAWED CONTROL JOINT (S.J.) w/ W.W.F.
 DET

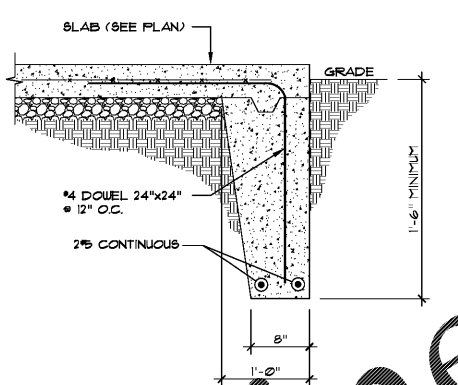


CONSTRUCTION JOINT: SLABS TO BE PLACED USING EITHER ADJACENT LANES OR ALTERNATE LANES. ALLOW 2 DAYS BETWEEN PLACEMENT OF ADJACENT SECTIONS. CONSTRUCTION JOINT MAY REPLACE CONTROL JOINT.

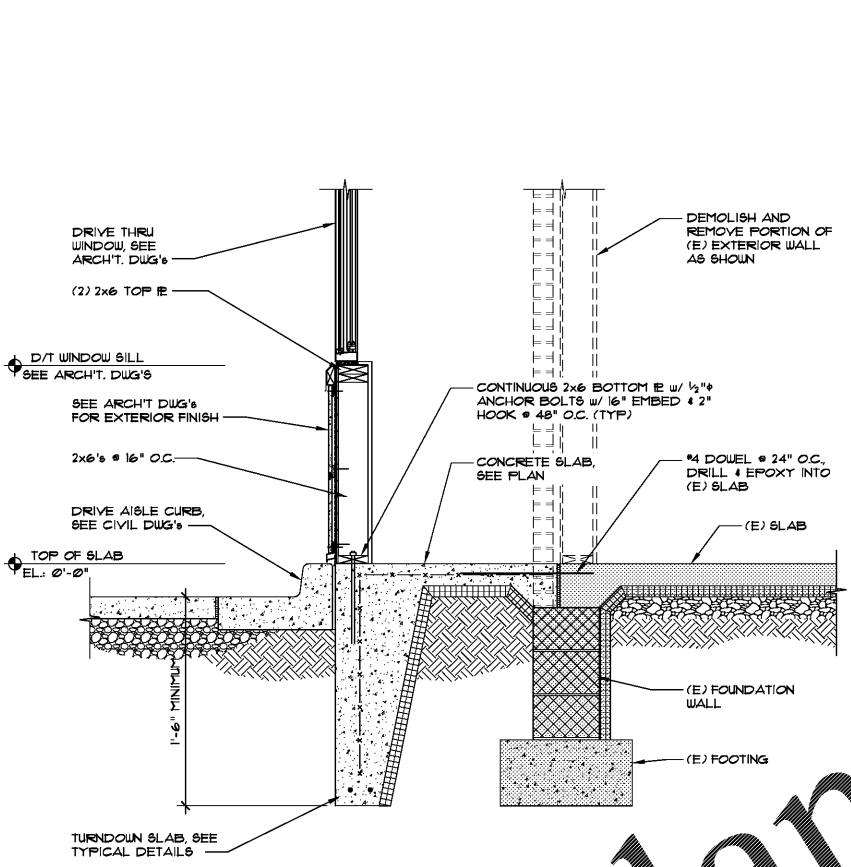
D2a CONSTRUCTION JOINT (C.J.) w/ W.W.F.
 DET



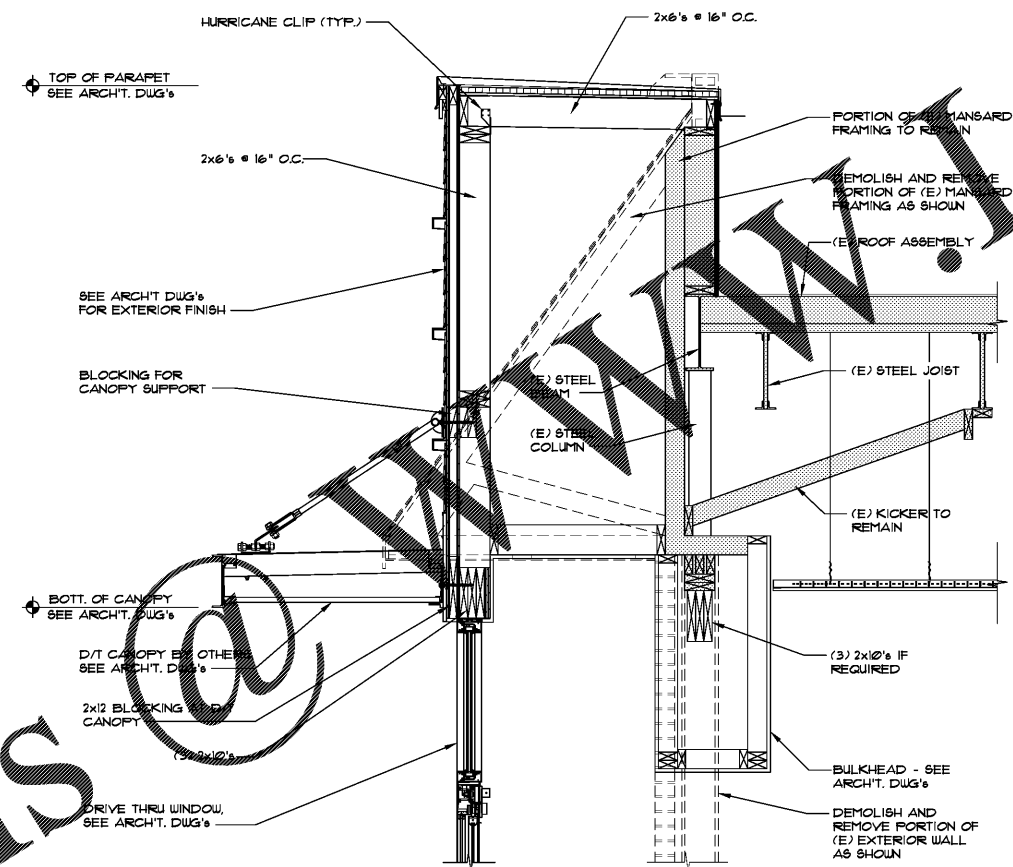
D3a JOINTING DETAIL @ SLAB ON GRADE
 DET



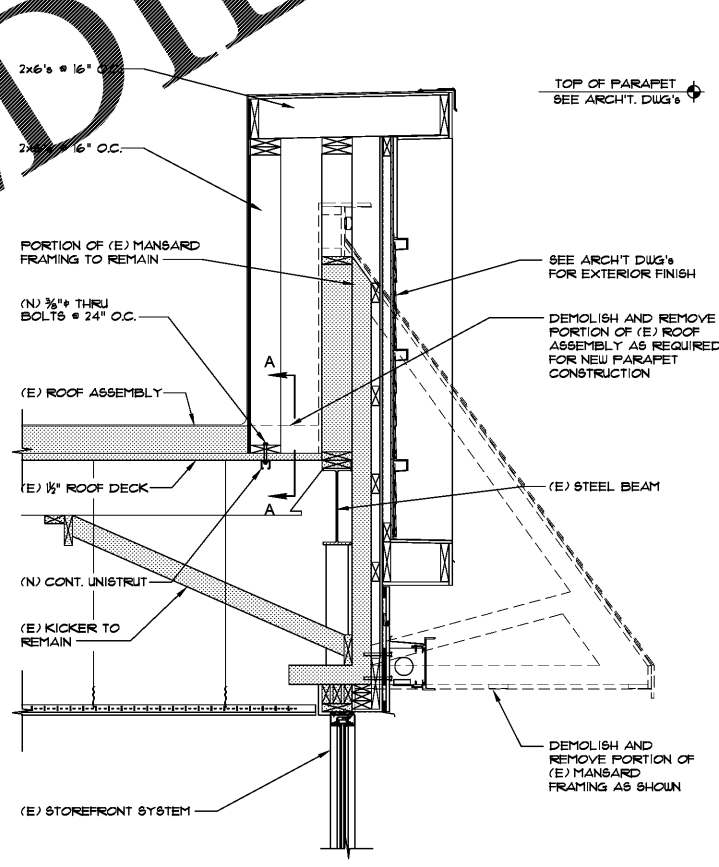
D14a DETAIL-TURN DOWN SLAB
 DET



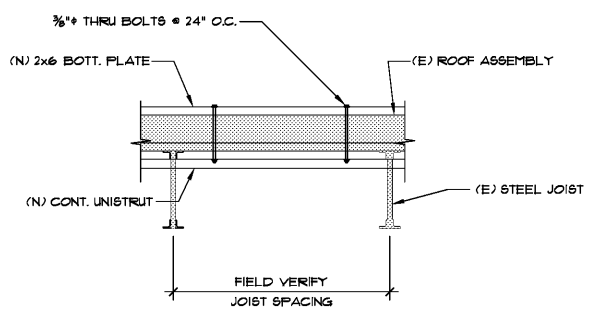
1 SECTION @ DRIVE THRU FOUNDATION
 S-3 SCALE: 3/4" = 1'-0"



2 ROOF SECTION @ DRIVE THRU
 S-3 SCALE: 3/4" = 1'-0"



3 SECTION @ NEW PARAPET
 S-3 SCALE: 3/4" = 1'-0"



SECTION 'A - A'
 SCALE: 3/4" = 1'-0"

Order Plans

I CERTIFY THAT THESE DOCUMENTS WERE PREPARED OR APPROVED BY ME, AND I AM A DULY LICENSED ARCHITECT UNDER THE LAWS OF THE STATE OF TENNESSEE, LICENSE NO. 106092, EXPIRATION DATE 01-31-20

DUNKIN'

dunkin' brands.
 STORE #358032
 US-11W
 BRISTOL, TN

REVISION		
No.	DATE	DESCRIPTION

DWG DATE: 2-1-2019
 DRAWN BY: STAFF
 PROJECT No.: 17182
 DWG TITLE:

DETAILS AND SECTIONS

SHEET No.
 S-3