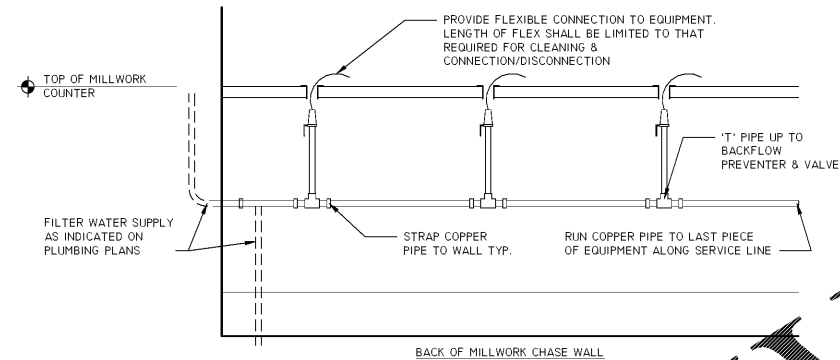
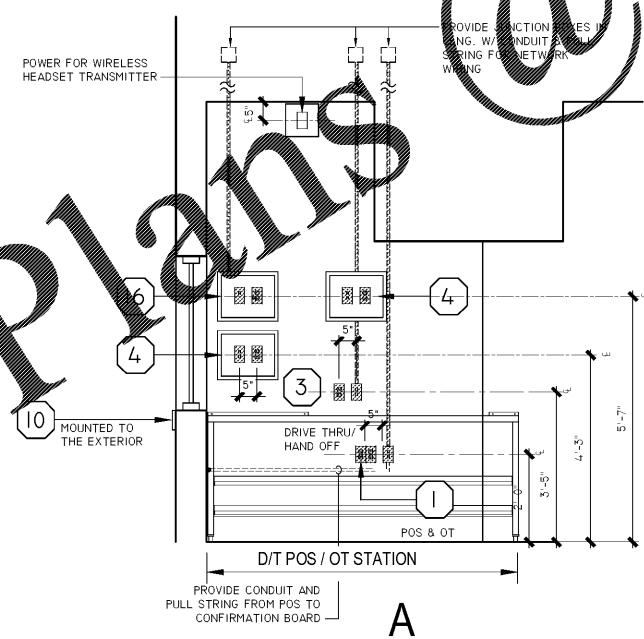


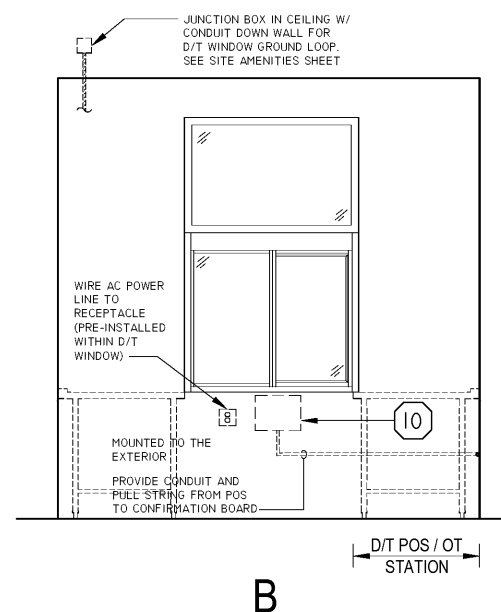
D9 3-COMP SINK DETAIL
 SCALE: 1/2" = 1'-0"



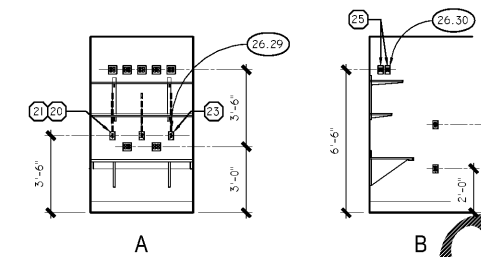
D6 EQUIPMENT WATER SUPPLY DIAGRAM
 SCALE: 1" = 1'-0"



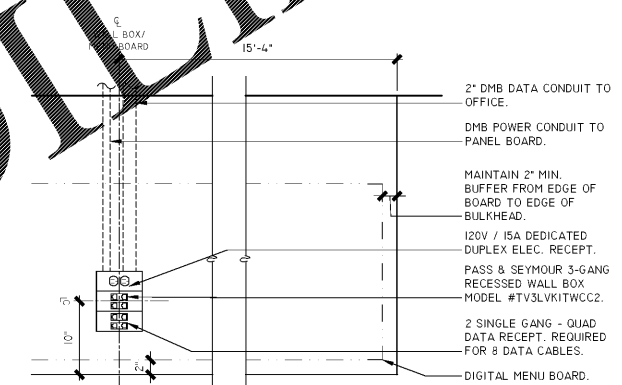
D1 DRIVE THRU POS DETAIL
 SCALE: 1/2" = 1'-0"



J1 DRIVE THRU POS DETAIL
 SCALE: 1/2" = 1'-0"

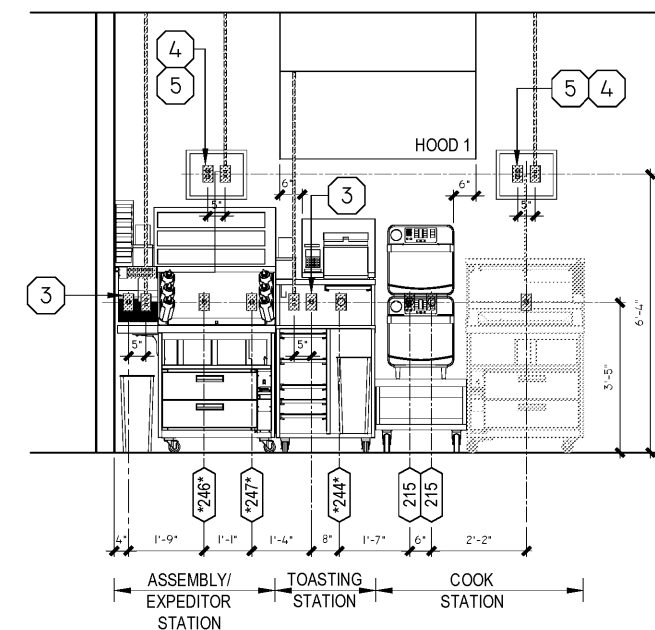


N9 MANAGER'S DESK DETAIL
 SCALE: 1/4" = 1'-0"



- NOTE TO GC:**
- OUTLET INSTALLATION LOCATION MAY SHIFT 9" MAX. LEFT OR RIGHT OF THE CENTERLINE TO AVOID STUDS IF APPLICABLE.
 - ALL DATA OUTLET BOXES, BOTH AT THE DMB SOFFIT AND THE OFFICE, SHOULD BE TESTED AND CERTIFIED FOR FULL CONNECTIVITY FOR ALL EIGHT CAT 5 CABLES USING NETWORK CABLE TESTING DEVICE. DATA LINES ARE TO BE INDIVIDUALLY TESTED FOR COMPLIANCE PRIOR TO DELIVERY OF PRODUCT FOR INSTALL. DATA CABLE TO BE TERMINATED AT BOTH ENDS WITH FEMALE JACK.

N5 MENU BOARD INSTALLATION DETAIL
 SCALE: 1" = 1'-0"



N1 SANDWICH STATION DETAIL
 SCALE: 1/2" = 1'-0"

Order Plans @

WWW.LDILLINE.COM

I CERTIFY THAT THESE DOCUMENTS WERE PREPARED OR APPROVED BY ME, AND I AM A FULLY LICENSED ARCHITECT UNDER THE LAWS OF THE STATE OF TENNESSEE, LICENSE NO. 19097, EXPIRATION DATE 01.31.21

DUNKIN'

dunkin' brands.
 STORE #358032
 US-11W
 BRISTOL, TN

REVISION		
No.	DATE	DESCRIPTION

DWG DATE: 2-1-2019
 DRAWN BY: STAFF
 PROJECT No.: 17182
 DWG TITLE:

ROUGH-IN DETAILS

SHEET No.
FS-2