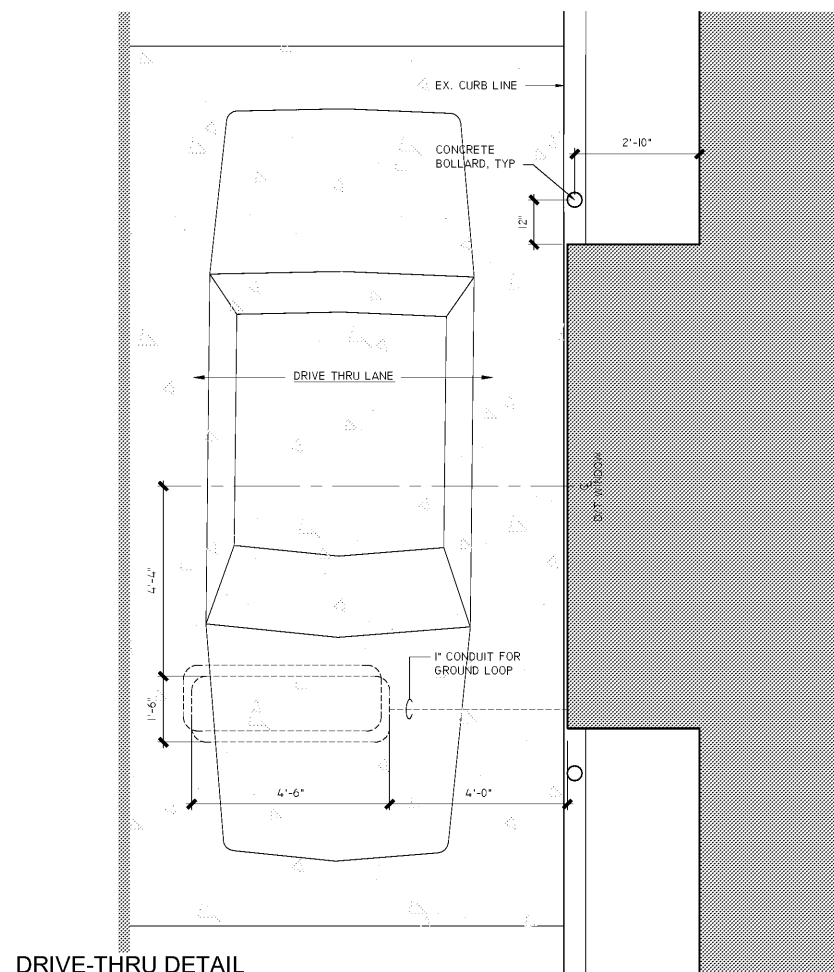
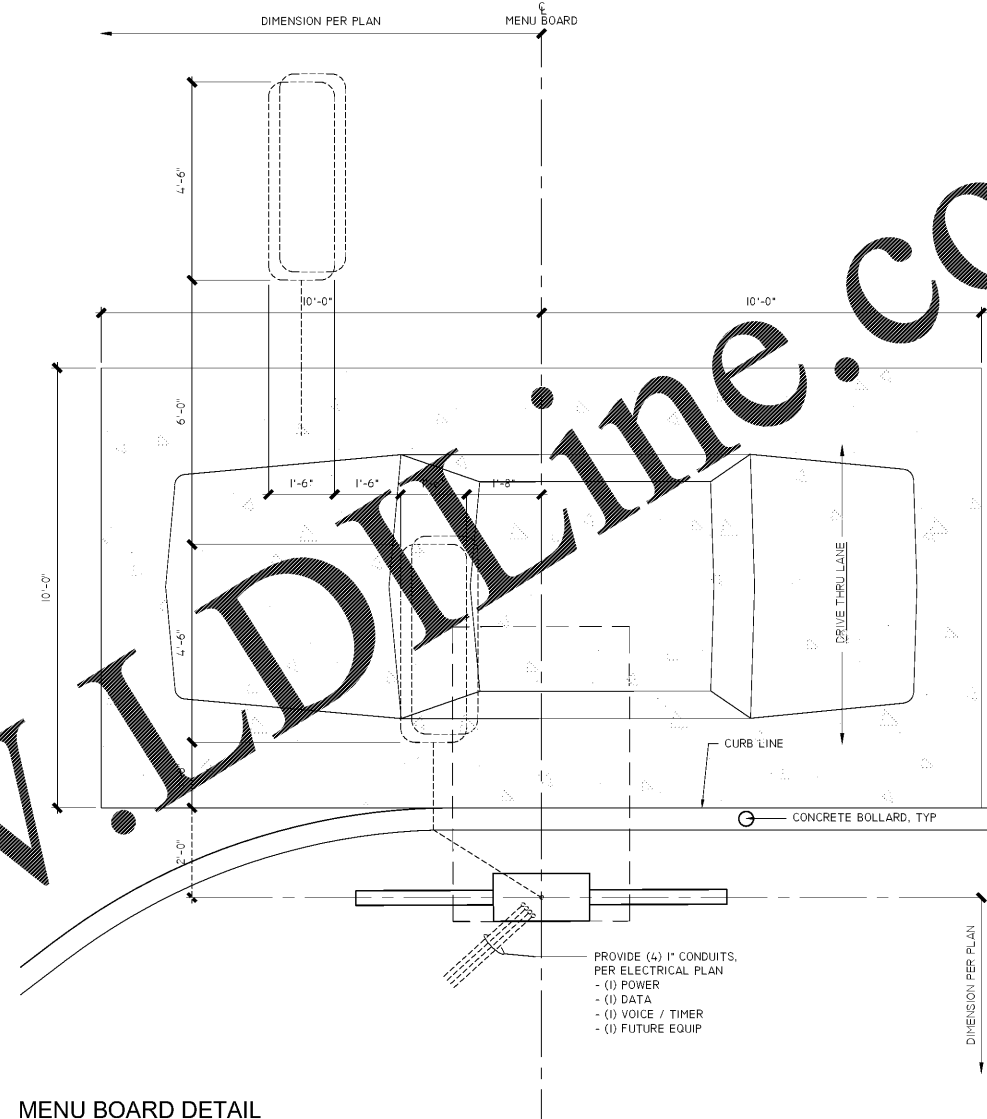


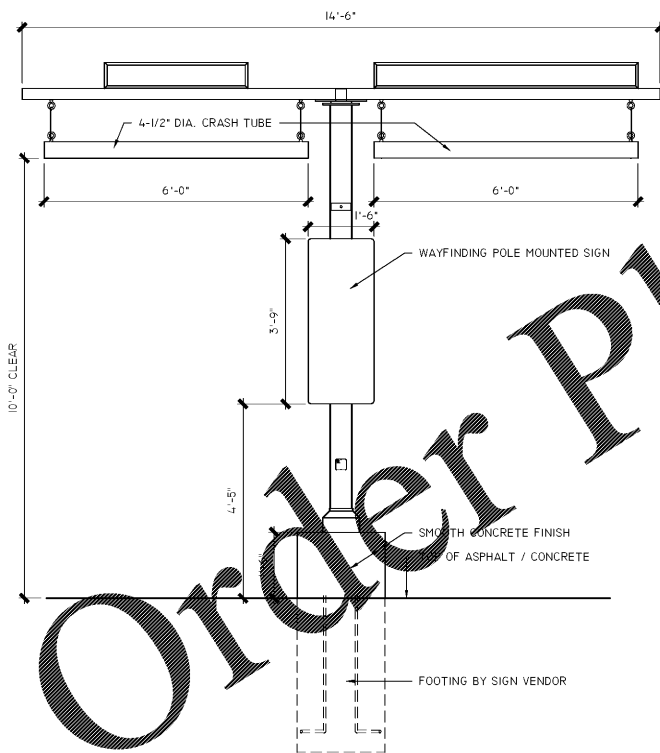
EXISTING PYLON SIGN DETAIL



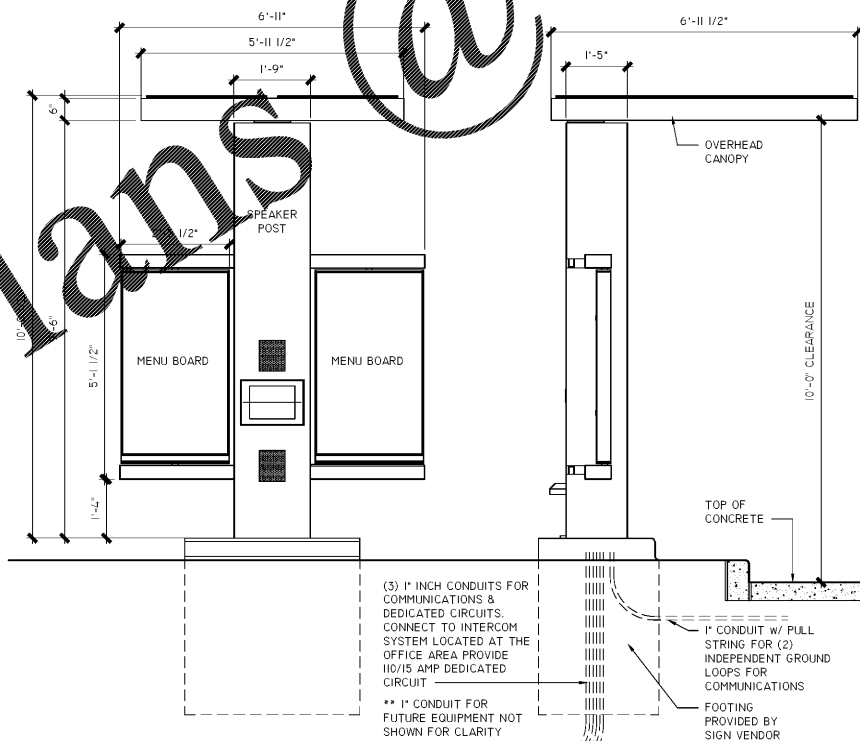
DRIVE-THRU DETAIL



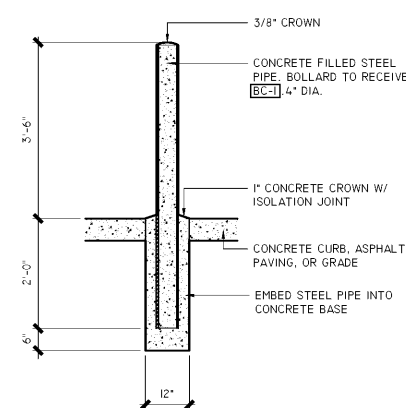
MENU BOARD DETAIL



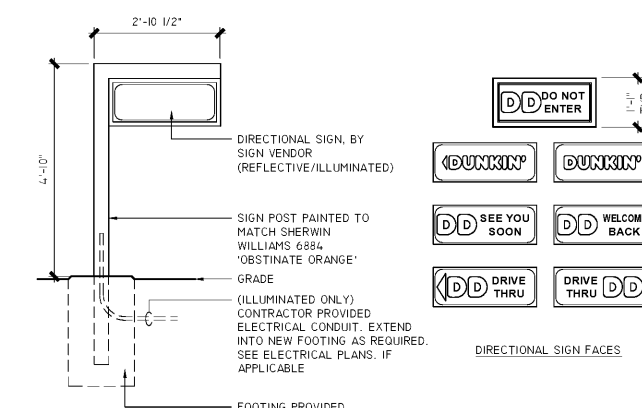
HEIGHT LIMITATION BAR DETAIL



SPEAKER POST DETAIL



BOLLARD DETAIL



D/T DIRECTIONAL SIGN (REFLECTIVE / ILLUMINATED)

I CERTIFY THAT THESE DOCUMENTS WERE PREPARED OR APPROVED BY ME, AND I AM A FULLY LICENSED ARCHITECT UNDER THE LAWS OF THE STATE OF TENNESSEE, LICENSE NO. 10097, EXPIRATION DATE 01.31.20



**dunkin'**  
 brands.  
 STORE #358032  
 US-11W  
 BRISTOL, TN

REVISION		
No.	DATE	DESCRIPTION

DWG DATE: 2-1-2019  
 DRAWN BY: STAFF  
 PROJECT No.: 17182  
 DWG TITLE:

ARCHITECTURAL  
 SITE AMENITIES  
 DETAILS

SHEET No.

AS-2

Order Plans @ WWW.LDLINE.COM