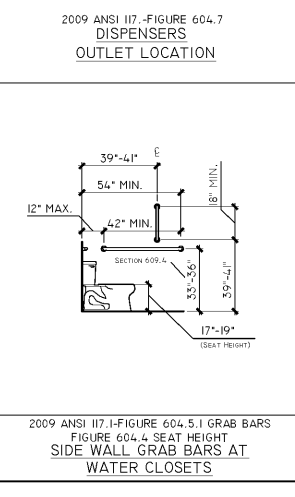
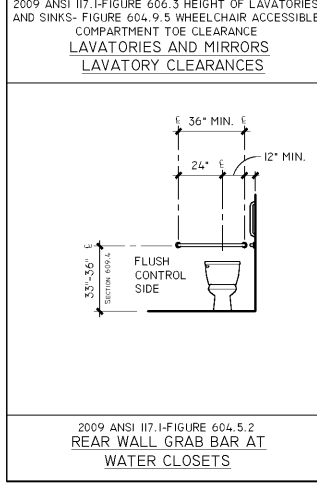
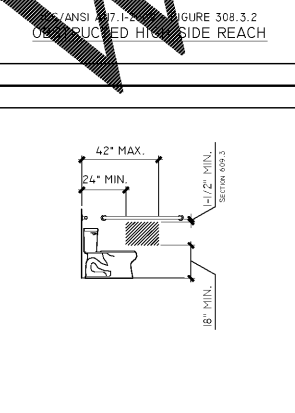
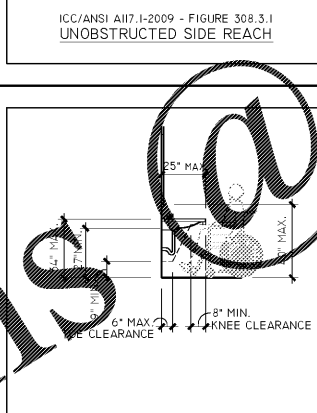
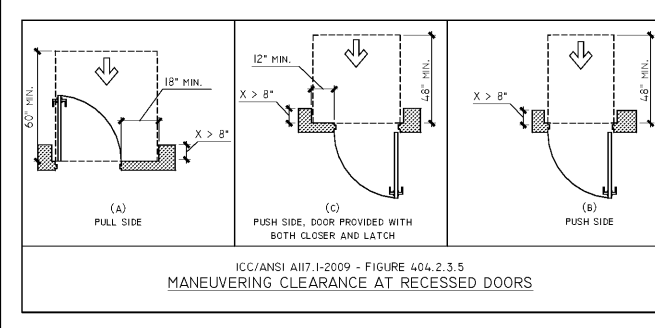
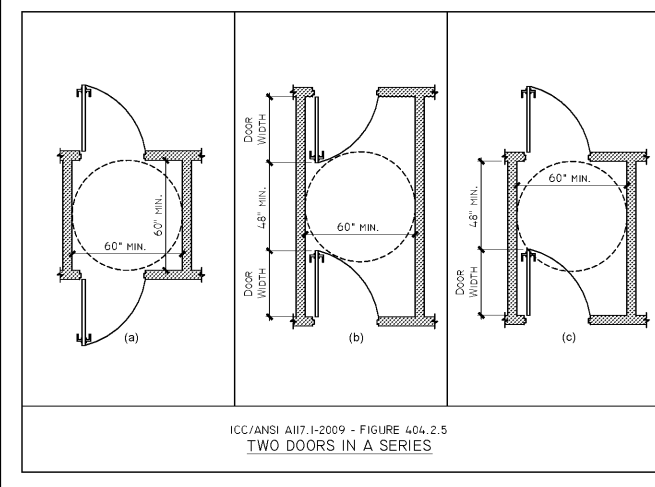
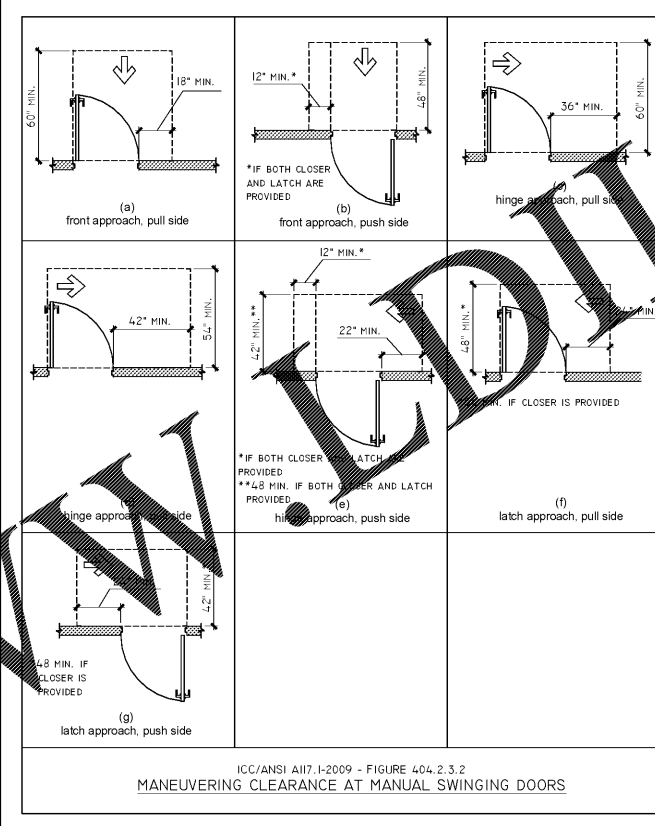
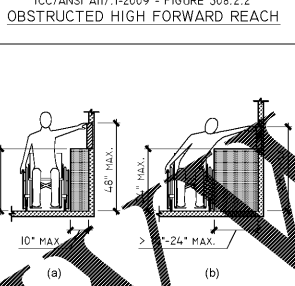
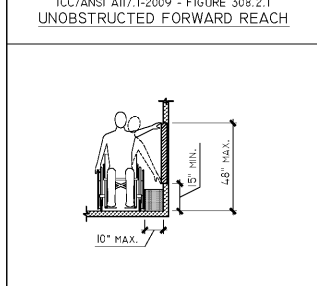
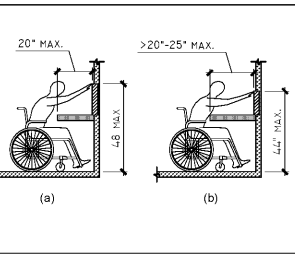
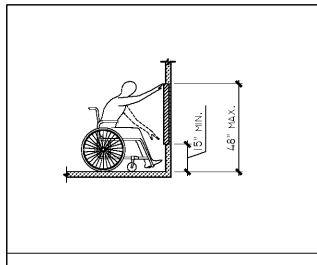


GENERAL ACCESSIBILITY NOTES:

- FLOOR AND GROUND SURFACES
- GROUND AND FLOOR SURFACES ALONG ACCESSIBLE ROUTES AND IN ACCESSIBLE ROOMS AND SPACES INCLUDING FLOORS, WALKS, RAMPS, STAIRS, AND CURB RAMPS, SHALL BE STABLE, FIRM, AND SLIP-RESISTANT.
 - THE RUNNING SLOPE (PARALLEL) OF WALKING SURFACES SHALL NOT BE STEEPER THAN 1:20. THE CROSS SLOPE (PERPENDICULAR) OF WALKING SURFACES SHALL NOT BE STEEPER THAN 1:48.
 - CHANGES IN LEVEL UP TO 1/4" MAY BE VERTICAL AND WITHOUT EDGE TREATMENT. CHANGES IN LEVEL BETWEEN 1/4" AND 1/2" SHALL BE BEVELLED WITH A SLOPE NO GREATER THAN 1:2. CHANGES IN LEVEL GREATER THAN 1/2" SHALL BE ACCOMPLISHED BY MEANS OF A RAMP.
 - CARPET OR CARPET TILE SHALL BE SECURELY ATTACHED, HAVE FIRM CUSHION, PAD, OR BACKING, OR NO CUSHION OR PAD. CARPET SHALL BE A TIGHT LOOP, TEXTURED LOOP, LEVEL CUT PILE, OR LEVEL CUT/SLICUT PILE TYPE. THE MAX. PILE THICKNESS SHALL BE 1/2". EXPOSED EDGES OF CARPET SHALL BE FASTENED TO FLOOR SURFACES AND HAVE TRIM ALONG THE ENTIRE LENGTH OF THE EXPOSED EDGE. CARPET EDGE TRIM SHALL COMPLY WITH ABOVE.
 - OPENINGS IN FLOOR OR GROUND SURFACES SHALL NOT BE PASSAGE OF A SPHERE MORE THAN 1/2" INCH DIAMETER. ELONGATED OPENINGS SHALL BE PLACED SO THAT THE LONG DIMENSION IS PERPENDICULAR TO THE DOMINANT DIRECTION OF TRAVEL.
 - OUTDOOR RAMPS, STAIRS AND THEIR APPROACHES SHALL BE MAINTAINED SO THAT THEY WILL BE ACCESSIBLE TO WALKING SURFACES.
- RAMPS
- RAMP RUNS SHALL HAVE A RUNNING SLOPE OF GREATER THAN 1:20 AND NOT STEEPER THAN 1:48. THE CROSS SLOPE OF RAMPS SHALL NOT BE STEEPER THAN 1:48.
 - THE MIN. CLEAR WIDTH OF A RAMP SHALL BE 36". PROJECTIONS INTO THE REQUIRED RAMP AND LANDING WIDTH ARE PROHIBITED. THE RISE FOR ANY RAMP RUN SHALL BE 30" MAX.
- CURB RAMPS
- COUNTER SLOPES OF ADJOINING GUTTERS AND ROAD SURFACES IMMEDIATELY ADJACENT TO THE CURB RAMP SHALL NOT BE STEEPER THAN 1:20. THE ADJACENT SURFACES AT TRANSITIONS AT CURB RAMPS TO WALKS, GUTTERS, AND STREETS SHALL BE AT THE SAME LEVEL.
- OPERABLE PARTS
- A CLEAR FLOOR OR GROUND SPACE COMPLYING WITH FIGURE 305.3 SHALL BE PROVIDED. OPERABLE PARTS SHALL BE PLACED WITHIN ONE OF THE REACH RANGES SPECIFIED IN FIGURES 308.2.1, 308.2.2, 308.3.1, OR 308.3.2.
 - CONTROLS, OPERATING MECHANISMS AND HARDWARE SHALL BE OPERABLE WITH ONE HAND AND SHALL NOT REQUIRE TIGHT GRASPING, PINCHING OR TWISTING OF THE WRISTS. THE FORCE REQUIRED TO ACTIVATE OPERABLE PARTS SHALL BE 5 L.B.F. MAX.
- WATER CLOSETS
- THE REQUIRED CLEARANCE AROUND THE WATER CLOSET SHALL BE PERMITTED TO OVERLAP THE WATER CLOSET, ASSOCIATED GRAB BARS, PAPER DISPENSERS, SANITARY NAPKIN RECEPTACLES, COAT HOOKS, SHELVES, ACCESSIBLE ROUTES, CLEAR FLOOR SPACE AT OTHER FIXTURES, AND THE TURNING SPACE. NO OTHER FIXTURES OR OBSTRUCTIONS SHALL BE LOCATED WITHIN THE REQUIRED WATER CLOSET CLEARANCE.
 - THE HEIGHT OF WATER CLOSETS SHALL BE 17" TO 19" MEASURED TO THE TOP OF THE TOILET SEAT. SEATS SHALL NOT BE SPRUNG TO RETURN TO A LIFTED POSITION.
 - FLUSH CONTROLS SHALL BE HAND OPERATED OR AUTOMATIC. FLUSH CONTROLS SHALL BE LOCATED ON THE OPEN SIDE OF THE WATER CLOSET. HAND OPERATED FLUSH CONTROLS SHALL COMPLY WITH THE OPERABLE PARTS SECTION OF THESE NOTES.
 - TOILET TISSUE DISPENSERS SHALL NOT BE OF A TYPE THAT CONTROLS DELIVERY OR THAT DOES NOT ALLOW CONTINUOUS PAPER FLOW.
- LAVATORIES AND SINKS
- A CLEAR FLOOR SPACE COMPLYING WITH FIGURE 305.3, POSITIONED FOR A FORWARD APPROACH, AND KNEE AND TOE CLEARANCES COMPLYING WITH FIGURES 306.2, 306.3 SHALL BE PROVIDED. A PARALLEL APPROACH SHALL BE PERMITTED TO A KITCHEN SINK IN A SPACE WHERE A COOK TOP OR CONVENTIONAL RANGE IS NOT PROVIDED AND WET BARS.
 - IF SOAP AND/OR TOWEL DISPENSERS ARE PROVIDED, THEY MUST BE LOCATED WITHIN ONE OF THE REACH RANGES SPECIFIED IN FIGURES 308.2.1, 308.2.2, 308.3.1, OR 308.3.2. LOCATE SOAP AND TOWEL DISPENSERS SO THAT THEY ARE CONVENIENTLY USABLE BY A PERSON AT THE ACCESSIBLE LAVATORY.
 - LAVATORIES AND SINKS SHALL BE INSTALLED WITH THE FRONT OF THE HIGHER OF THE RIM OR COUNTER SURFACE 34" MAX. ABOVE THE FINISHED FLOOR OR GROUND.
 - CONTROLS FOR FAUCETS SHALL COMPLY WITH OPERABLE PARTS (ABOVE). HAND-OPERATED METERING FAUCETS SHALL REMAIN OPEN FOR 10 SECONDS MIN.
 - WATER SUPPLY AND DRAIN PIPES UNDER LAVATORIES AND SINKS SHALL BE INSULATED OR OTHERWISE CONFIGURED TO PROTECT AGAINST CONTACT. THERE SHALL BE NO SHARP OR ABRASIVE SURFACES UNDER LAVATORIES AND SINKS.
 - WHERE MIRRORS ARE LOCATED ABOVE LAVATORIES, A MIRROR SHALL BE LOCATED OVER THE ACCESSIBLE LAVATORY AND SHALL BE INSTALLED WITH THE BOTTOM EDGE OF THE REFLECTING SURFACE 40" MAX. ABOVE THE FINISH FLOOR. WHERE MIRRORS ARE LOCATED ABOVE COUNTERS THAT DO NOT CONTAIN LAVATORIES, THE MIRROR SHALL BE MOUNTED WITH THE BOTTOM EDGE OF THE REFLECTING SURFACE 40" MAX. ABOVE THE FLOOR.
- GRAB BARS
- GRAB BARS WITH CIRCULAR CROSS SECTIONS SHALL HAVE AN OUTSIDE DIAMETER OF 1-1/2" MIN. AND 2" MAX. GRAB BARS WITH NON-CIRCULAR CROSS SECTIONS SHALL HAVE A CROSS-SECTION DIMENSION OF 2" MAX. AND A PERIMETER DIMENSION OF 4" MIN. AND 4.8" MAX.
 - THE SPACE BETWEEN THE WALL AND THE GRAB BAR SHALL BE 1-1/2". THE SPACE BETWEEN THE GRAB BAR AND PROJECTING OBJECTS BELOW AND AT THE ENDS SHALL BE 1-1/2" MIN. THE SPACE BETWEEN THE GRAB BAR AND PROJECTING OBJECTS ABOVE SHALL BE 12" MIN. THE SPACE BETWEEN THE GRAB BARS AND SHOWER CONTROLS, SHOWER FITTINGS, AND OTHER GRAB BARS ABOVE SHALL BE PERMITTED TO BE 1-1/2" MIN.
 - ALLOWABLE STRESSES SHALL NOT BE EXCEEDED FOR MATERIALS USED WHEN A VERTICAL OR HORIZONTAL FORCE OF 250 POUNDS IS APPLIED AT ANY POINT ON THE GRAB BAR, FASTENER, MOUNTING DEVICE, OR SUPPORTING STRUCTURE.
 - GRAB BARS SHALL NOT ROTATE WITHIN THEIR FITTINGS.
 - GRAB BARS AND ANY WALL OR OTHER SURFACES ADJACENT TO GRAB BARS SHALL BE FREE OF SHARP OR ABRASIVE ELEMENTS AND SHALL HAVE ROUND EDGES.
- DINING SURFACES AND WORK SURFACES
- A CLEAR FLOOR SPACE COMPLYING WITH FIGURE 305.3 POSITIONED FOR A FORWARD APPROACH SHALL BE PROVIDED. KNEE AND TOE CLEARANCES COMPLYING WITH FIGURES 306.2 AND 306.3 SHALL BE PROVIDED.
 - THE TOPS OF DINING SURFACES AND WORK SURFACES SHALL BE 28" MIN. AND 34" MAX. ABOVE THE FINISH FLOOR OR GROUND.



Order Plans @

ARCHITECT OF RECORD
JAMES D. SMITH, AIA
522 BAY LN.
CENTERVILLE, MA 02632

DUNKIN'

dunkin' brands.
STORE #358032
US-11W
BRISTOL, TN

REVISION		
No.	DATE	DESCRIPTION

DWG DATE: 2-1-2019
DRAWN BY: STAFF
PROJECT No.: 17182

DWG TITLE:
ACCESSIBILITY DETAILS AND INFORMATION

SHEET No.
T-3