

STIPULATION FOR REUSE: THIS DRAWING IS THE PROPERTY OF HARRISON FRENCH & ASSOCIATES, LTD. AND IS TO BE USED ONLY FOR THE PROJECT AND SITE SPECIFICALLY IDENTIFIED HEREON. ANY REUSE OF THIS DRAWING FOR ANY OTHER PROJECT WITHOUT THE WRITTEN PERMISSION OF HARRISON FRENCH & ASSOCIATES, LTD. IS PROHIBITED. THE USER OF THIS DRAWING SHALL BE RESPONSIBLE FOR OBTAINING ALL NECESSARY PERMITS AND APPROVALS FROM THE APPROPRIATE AGENCIES AND AGENCIES. HARRISON FRENCH & ASSOCIATES, LTD. SHALL NOT BE RESPONSIBLE FOR ANY DAMAGE TO PROPERTY OR PERSONS ARISING FROM THE USE OF THIS DRAWING.

13365 GLENBROOK AVE
MEADOWVIEW, VA 24061

LIGHT MECHANICAL SERVICE ADDITION

PROJECT NUMBER: 03-18-2013

Love's
Travel Stop &
Country Stores

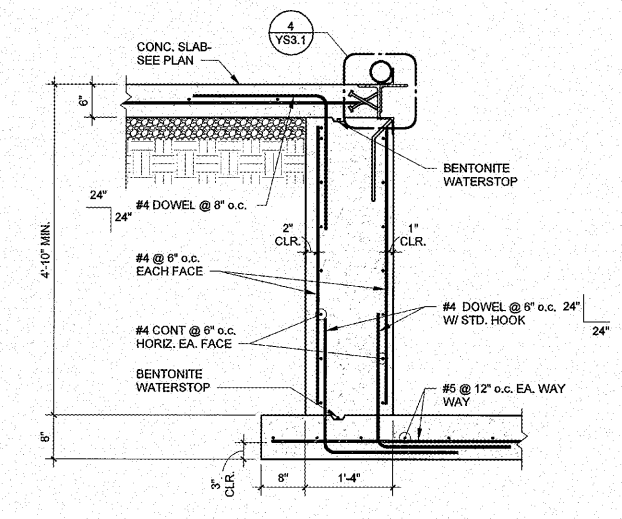
(Signature)
LUNGSHEN TSAO
No. 51070
10/26/18
PROFESSIONAL ENGINEER

ISSUE BLOCK	

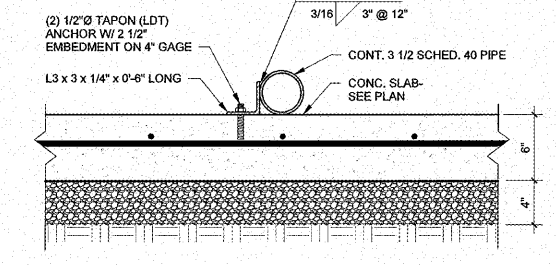
STORE NO. 813
DOCUMENT DATE 10/25/18
CHECKED BY: LST
DRAWN BY: CMC
PROTO CYCLE:

LUBE PIT PLAN AND PIT DETAILS

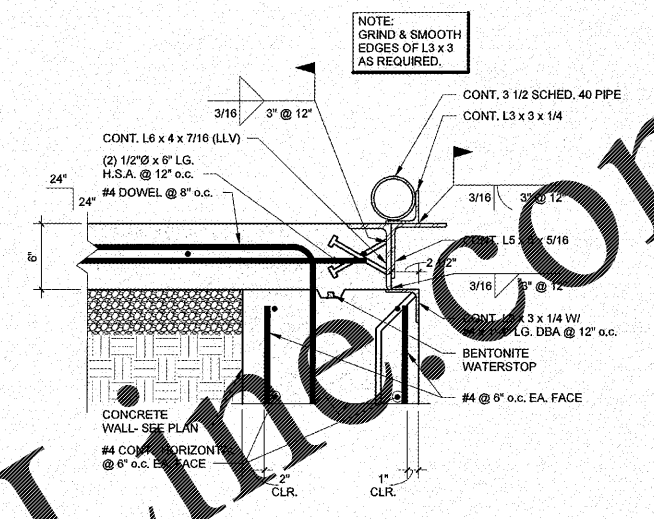
SHEET: **YS3.1**



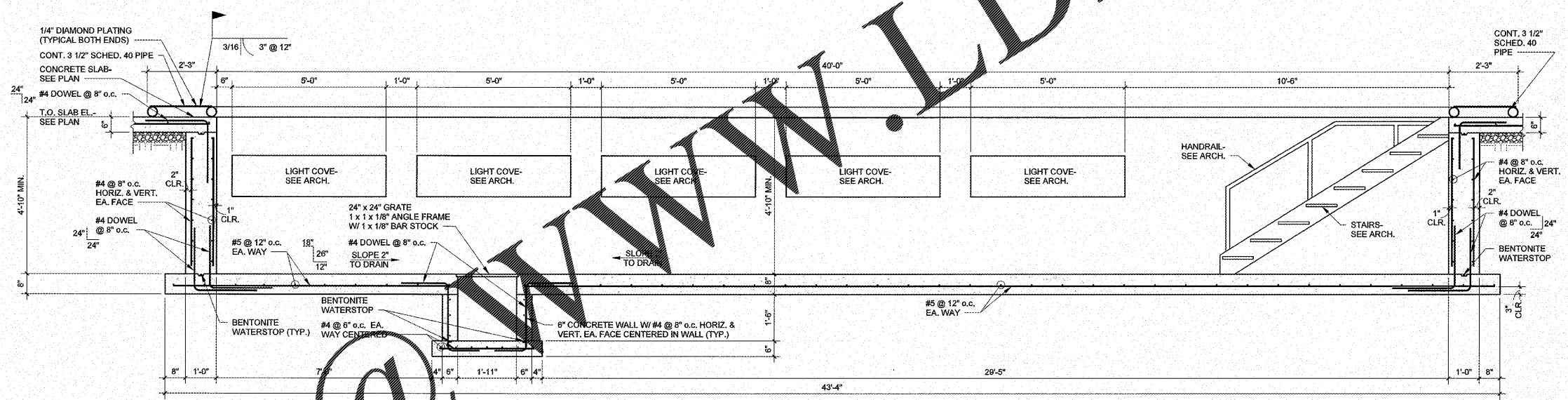
6 SECTION
3/4" = 1'-0"



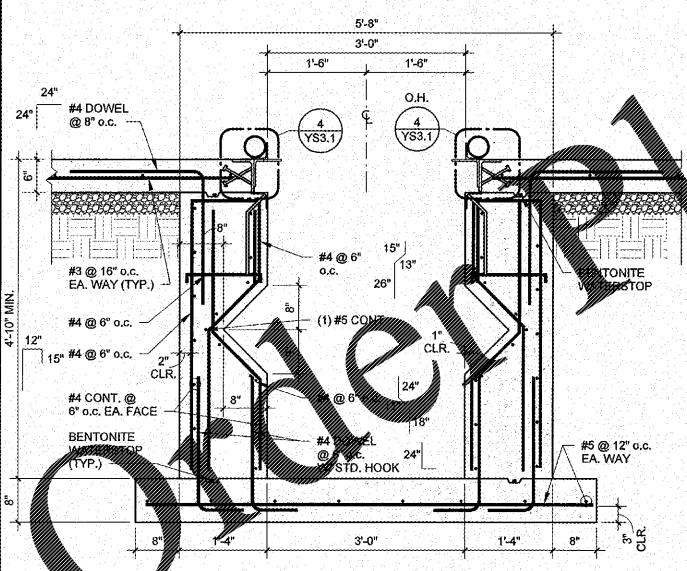
5 SECTION
1 1/2" = 1'-0"



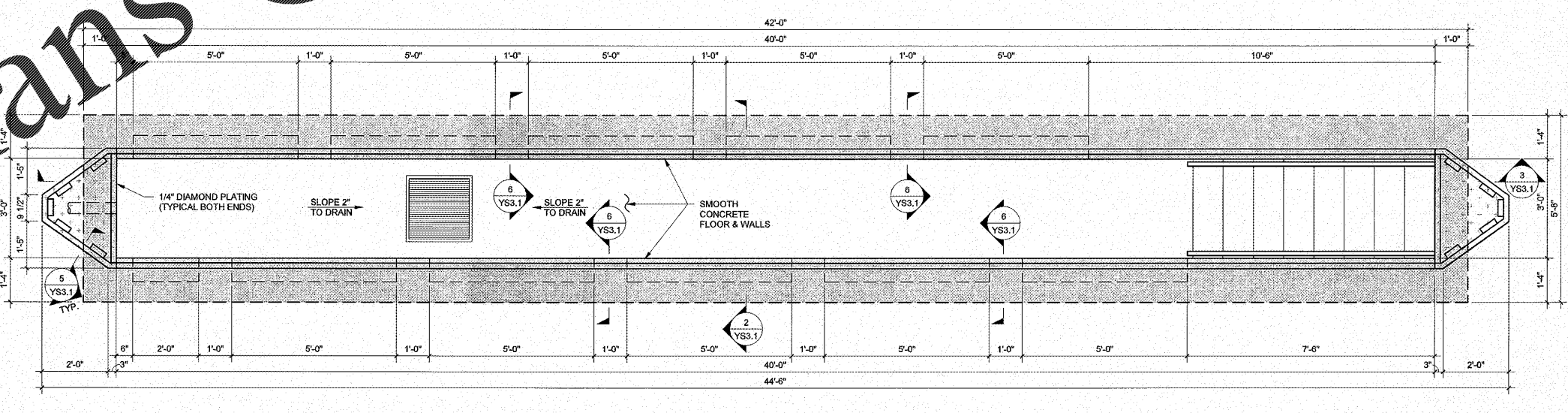
4 SECTION
1'-0"



3 LUBE PIT SECTION
1/2" = 1'-0"



2 SECTION
3/4" = 1'-0"



1 LUBE PIT PLAN
1/2" = 1'-0"