

STIPULATION FOR RELEASE
THIS DOCUMENT IS THE PROPERTY OF HFA ARCHITECTS ENGINEERS INTERIORS. IT IS TO BE USED ONLY FOR THE PROJECT AND SITE SPECIFICALLY IDENTIFIED HEREIN. IT IS NOT TO BE REPRODUCED, COPIED, OR TRANSMITTED IN ANY FORM OR BY ANY MEANS, ELECTRONIC OR MECHANICAL, INCLUDING PHOTOCOPYING, RECORDING, OR BY ANY INFORMATION STORAGE AND RETRIEVAL SYSTEM, WITHOUT THE WRITTEN PERMISSION OF HFA ARCHITECTS ENGINEERS INTERIORS. THE USER OF THIS DOCUMENT AGREES TO HOLD HFA ARCHITECTS ENGINEERS INTERIORS HARMLESS FROM AND AGAINST ALL CLAIMS, DAMAGES, LOSSES AND EXPENSES, INCLUDING REASONABLE ATTORNEY'S FEES, THAT MAY BE ASSERTED AGAINST OR INCURRED BY HFA ARCHITECTS ENGINEERS INTERIORS AS A RESULT OF THE USER'S USE OF THIS DOCUMENT.

13365 GLENBROOK AVE
MEADOWVIEW, VA 24361
LIGHT MECHANICAL SERVICE ADDITION
PROJECT NUMBER: 03-18-20813

Love's
Travel Stop &
Country Stores

TSAC/TSAC/LS No. 51070
PROFESSIONAL ENGINEER

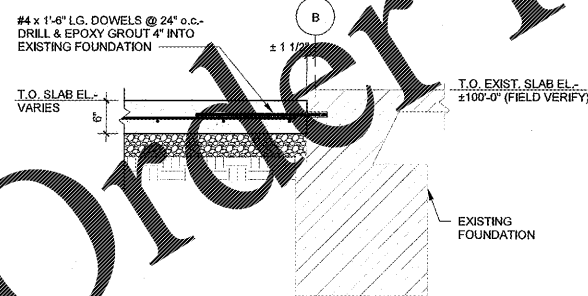
ISSUE BLOCK	

STORE NO. 613
DOCUMENT DATE: 10/25/18
CHECKED BY: LST
DRAWN BY: CMC
PROTO CYCLE:

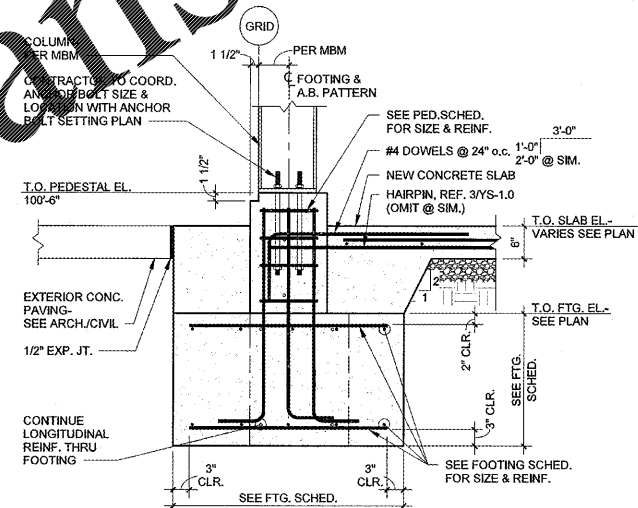
TYPICAL DETAILS

SHEET: **YS3.0**

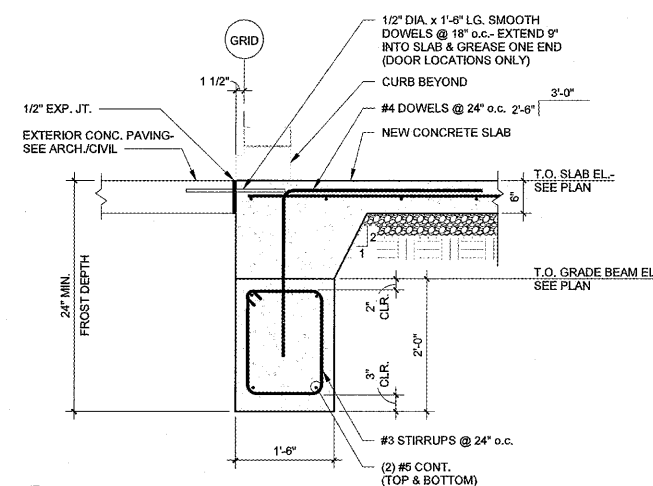
Order Plans @ www.LDILine.com



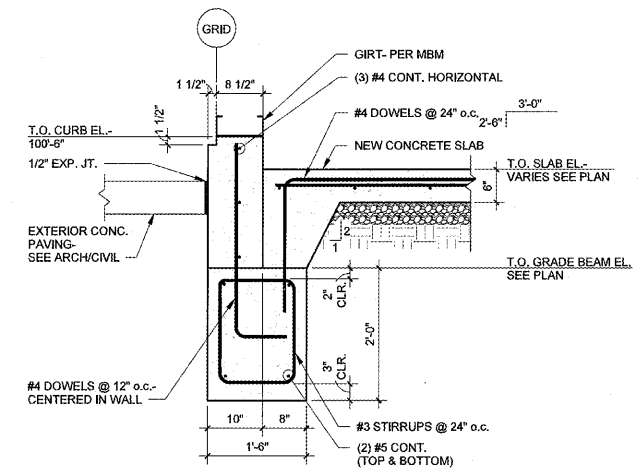
4 SECTION
3/4" = 1'-0"



3 SECTION
3/4" = 1'-0"



2 SECTION
3/4" = 1'-0"



1 SECTION
3/4" = 1'-0"