

Order Plans @

WWW.LDILINE.COM

PLAN LEGEND	
	EXISTING TO REMAIN
	NEW BUILDING ADDITION
	NEW CONCRETE

HFA
ARCHITECTS
ENGINEERS
INTERIORS

HARRISON FRENCH & ASSOCIATES, LTD

1705 S. Main Blvd., Suite 3
Reston, VA 20191
703.271.7780
703.271.7780
www.hfae.com

STIPULATION FOR REUSE
THIS DOCUMENT IS THE PROPERTY OF HARRISON FRENCH & ASSOCIATES, LTD. IT IS TO BE USED ONLY FOR THE PROJECT AND SITE SPECIFICALLY IDENTIFIED HEREIN. IT IS NOT TO BE REPRODUCED, COPIED, OR TRANSMITTED IN ANY FORM OR BY ANY MEANS, ELECTRONIC OR MECHANICAL, WITHOUT THE WRITTEN PERMISSION OF HARRISON FRENCH & ASSOCIATES, LTD.

13365 GLENBROOK AVE
MEADOWVIEW, VA 24361

LIGHT MECHANICAL SERVICE ADDITION

PROJECT NUMBER: 03-18-20613

Loves
Travel Stop &
Country Stores

COMMONWEALTH OF VIRGINIA

ROGUE L. HERBRECHT
Lic. No. 016472
ARCHITECT

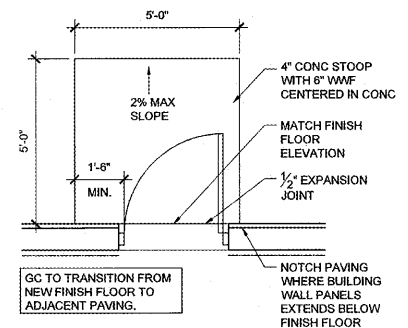
OCT 26 2018

ISSUE BLOCK	

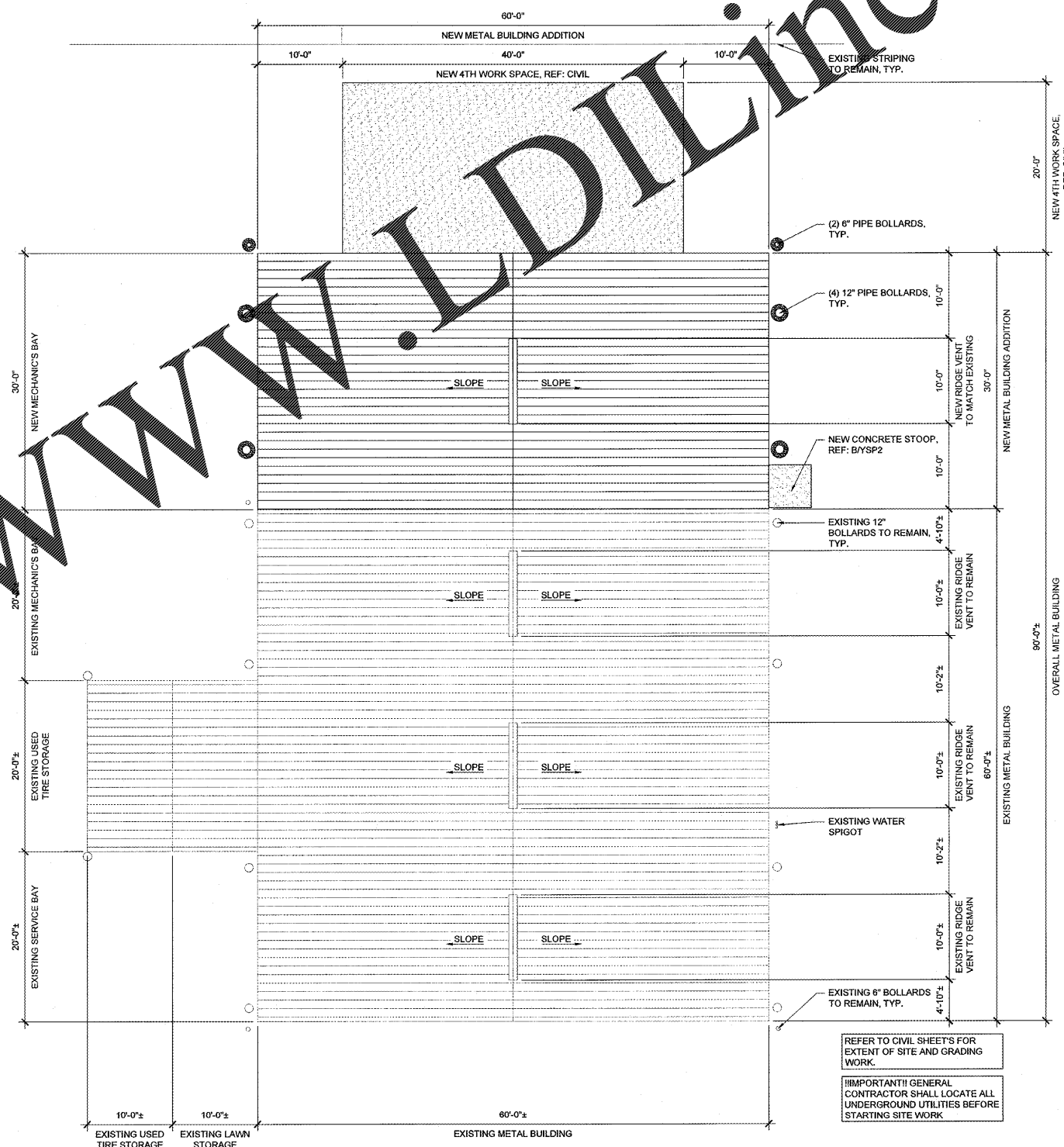
STORE NO.	613
DOCUMENT DATE:	10/25/18
CHECKED BY:	RAF
DRAWN BY:	RVM
PROTO CYCLE:	

ENLARGED SITE PLAN & DETAILS

SHEET: YSP2



B STOOP DETAIL
SCALE: 3/8" = 1'-0"



A ENLARGED SITE PLAN
SCALE: 1/8" = 1'-0"



03-18-20613.dwg - User: robert.lmerrifield
10/25/18 10:26:13 AM - Meadowview, VA 61510\COMMONDCS\mechanical\1101\YSP2 ENLARGED SITE PLAN & DETAILS.dwg