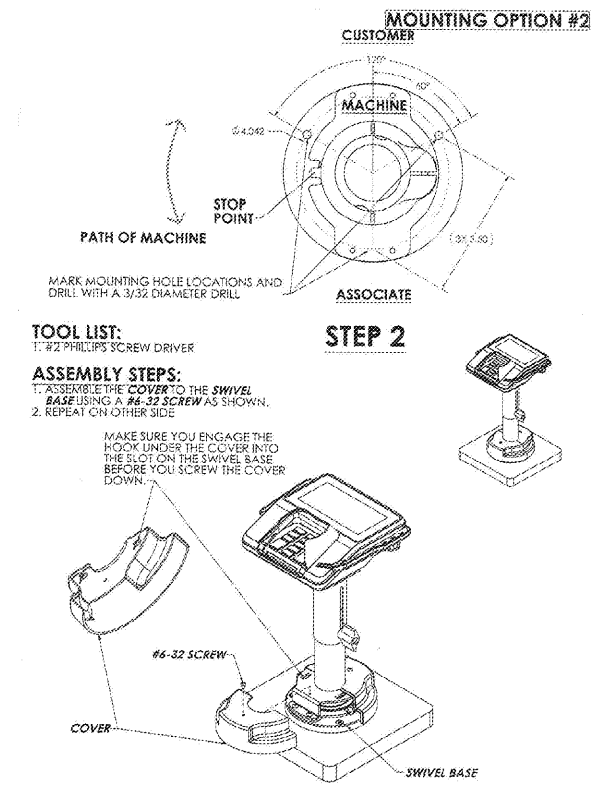
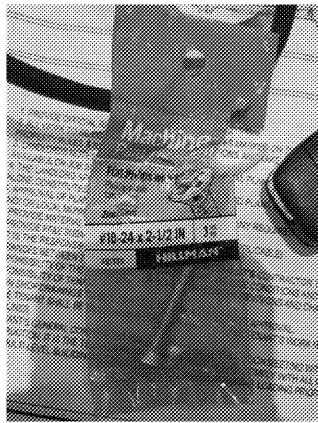


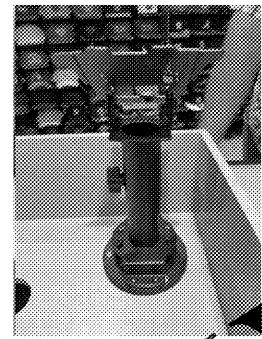
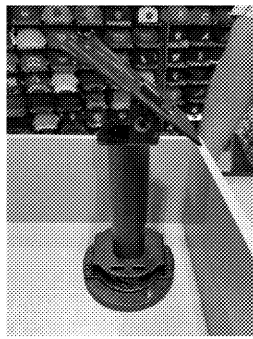
LIDS VERIPHONE STAND CASH WRAP COUNTERTOP INSTALLATION INSTRUCTIONS



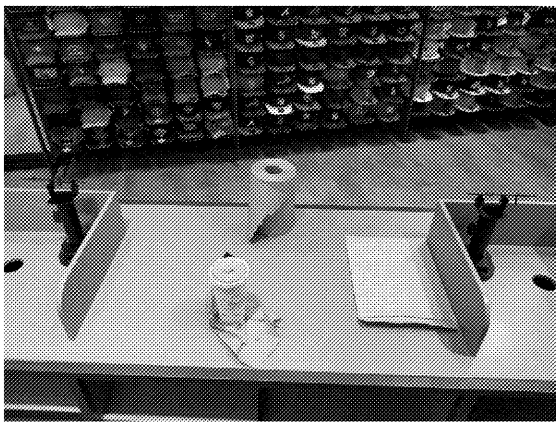
GC SHALL FURNISH AND INSTALL - THREE (3) #10-24 X 2 1/2" SCALE, 1/2"-1'-0" BOLTS - NYLON LOCK NUT - WASHERS PER VERIPHONE STAND. SECURE BOLT TIGHTLY TO ENSURE LONGEVITY OF STAND SECUREMENT TO COUNTERTOP



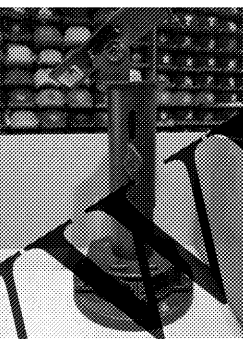
4 THE VERIPHONE STAND SWIVELS 180 DEGREES. DIRECTION OF INSTALLATION NEEDS TO FACILITATE THE STAND TO BE ABLE TO SWIVEL 90 DEGREES TO THE LEFT SIDE AND 90 DEGREES TO THE RIGHT SIDE



2 VIEW FROM THE EMPLOYEE SIDE OF THE CASHWRAP THE VERIPHONE STAND GOES TO THE CENTER SIDE INTERIOR INSIDE POS SURROUND SHROUD



5 ONCE THE VERIPHONE STAND IS SET THE ADJUSTMENT WING NUT CAN BE TAKEN ALL THE WAY OUT AND THE TOP HALF REMOVED FOR EASIER MARKING, DRILLING AND BOLT INSTALLATION

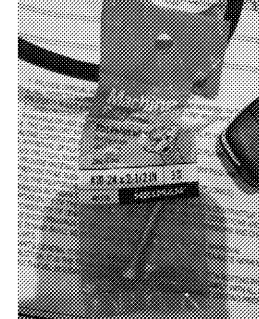


3 BASE OF THE VERIPHONE STAND IS TO BE 1" OFF THE FRONT AND SIDE OF THE SURROUND SHROUD

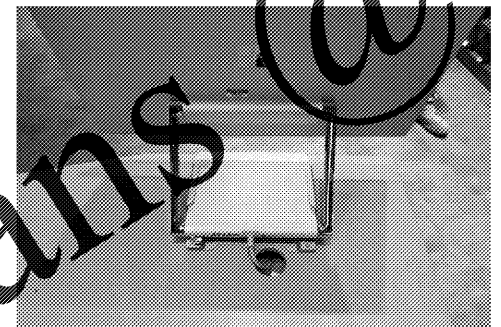


LIDS SURFACE PRO BRACKET AT EMBROIDERY COUNTERTOP INSTALLATION

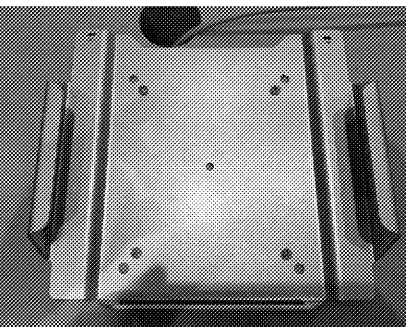
GC SHALL FURNISH AND INSTALL - FOUR (4) #10-24 X 2 1/2" SCALE, 1/2"-1'-0" BOLTS - NYLON LOCK NUT - WASHERS PER SURFACE PRO BRACKET. SECURE BOLT TIGHTLY TO ENSURE LONGEVITY OF STAND SECUREMENT TO COUNTERTOP



2 GC SHALL PLACE BRACKET IN CORRECT POSITION WITH OPEN SIDE TOWARD THE EMPLOYEE SIDE OF THE CASEWORK



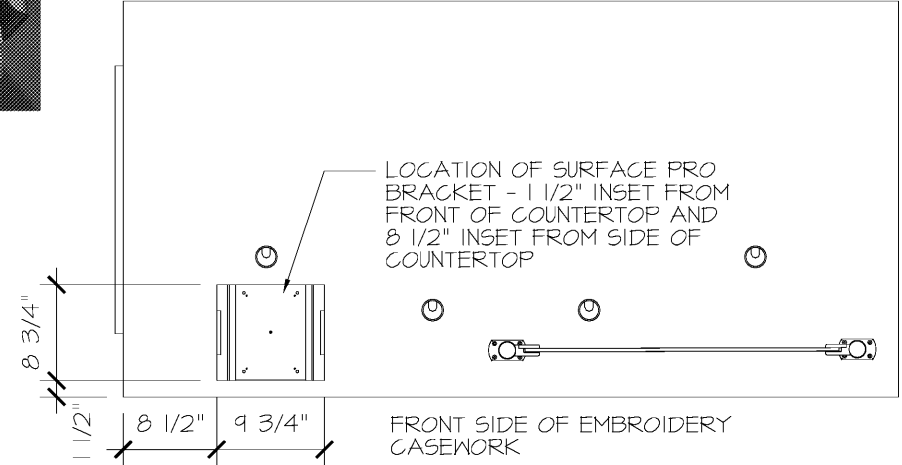
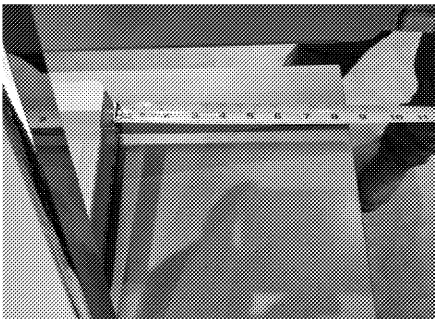
3 GC SHALL INSTALL THE BRACKET USING THE FOUR (4) SMALLER INTERIOR HOLES ON THE BRACKET - DO NOT USE THE LARGER HOLES



4 GC SHALL INSTALL THE BRACKET 1 1/2" IN FROM THE FRONT FACE OF THE COUNTERTOP



5 GC SHALL INSTALL THE BRACKET 8 1/2" IN FROM THE SIDE FACE OF THE COUNTERTOP



WALL SIDE OF EMBROIDERY CASEWORK

PROJECT

Lids

LD 608
 OAKWOOD CENTER
 17 WESTBANK EXPRESSWAY
 SUITE 1065
 GEORINA, LA 70053

PROJECT NUMBER
 19433-377

DESIGNER



STUDIO T2 DESIGN
 INTERIOR ARCHITECTURE & DESIGN

8010 STATE LINE ROAD SUITE 180
 LEAWOOD, KANSAS 66208

THE PROFESSIONAL SERVICES OF THE DESIGNER AND/OR ARCHITECT ARE UNDERTAKEN FOR AND ARE PERFORMED IN THE INTEREST OF THE PROJECT OWNER. NO CONTRACTUAL OBLIGATION IS ASSUMED BY THE DESIGNER AND/OR ARCHITECT FOR THE BENEFIT OF ANY OTHER ENTITY INVOLVED IN THIS PROJECT.

EXISTING CONDITIONS: THE DESIGNER / ARCHITECT DISCLAIMS ANY RESPONSIBILITY FOR THE EXISTING BUILDING STRUCTURE, SITE CONDITIONS, EXISTING CONSTRUCTION ELEMENTS, OR ANY OTHER DOCUMENTS, DRAWINGS, OR OTHER INSTRUMENTS RELATED TO OR INTENDED TO BE USED FOR ANY PART OR PARTS OF THE PROJECT, WHICH DO NOT BEAR THE ARCHITECT'S SEAL.

THIS DRAWING HAS BEEN PREPARED BY THE ARCHITECT, OR UNDER HIS SUPERVISION. THIS DRAWING IS PROVIDED AS AN INSTRUMENT OF SERVICE BY THE DESIGNER / ARCHITECT AND IS INTENDED FOR USE ON THIS PROJECT ONLY. PURSUANT TO THE ARCHITECTURAL WORKS COPYRIGHT PROTECTION ACT OF 1990, ALL DRAWINGS, SPECIFICATIONS, IDEAS AND DESIGNS, INCLUDING THE OVERALL FORM, ARRANGEMENT AND COMPOSITION OF SPACES AND ELEMENTS APPEARING HEREIN, CONSTITUTE THE ORIGINAL, COPYRIGHTED WORK OF THE DESIGNER / ARCHITECT. ANY REPRODUCTION, USE, OR DISCLOSURE OF INFORMATION CONTAINED HEREIN WITHOUT THE PRIOR WRITTEN CONSENT OF THE ARCHITECT/DESIGNER IS STRICTLY PROHIBITED. (C) COPYRIGHT 2019 BY STUDIO T2 DESIGN

GENERAL NOTES

RELATED DOCUMENTS: THIS DRAWING IS A SINGLE PART OF AN INTEGRATED SET OF CONSTRUCTION CONTRACT DOCUMENTS. THE GENERAL CONDITIONS OF THE CONTRACT, THE GENERAL REQUIREMENTS, (DIVISION 1 OF THE SPECIFICATIONS), APPLICABLE REQUIREMENTS OF DIVISION 2, THE DIVISION 18 SECTIONS OF THE SPECIFICATIONS, AND OTHER DRAWINGS MAY APPLY TO THE WORK DESCRIBED ON THIS DRAWING. FAILURE TO REVIEW OTHER DOCUMENTS DOES NOT RELIEVE THE CONTRACTOR FROM PROVIDING A COMPLETE PROJECT.

COMPLY WITH all laws, code and ordinances of authorities having jurisdiction, and with requirement of the Landlord, if applicable.

VERIFY ACTUAL CONDITIONS and dimensions prior to construction. Commencement of work constitutes verification and acceptance of existing conditions.

CALCULATE AND MEASURE required dimensions, do not scale the drawings unless otherwise directed.

APPLICATION of a material or equipment item to work installed by others constitutes acceptance of that work, and assumption of responsibility for satisfactory installation.

DIMENSIONS shown are to finish face of a material, unless otherwise indicated.

PROJECT CONTACT
 THOM TOBEN
 EMAIL: TLTOBEN@ST2D.COM
 PH: 913.649.6037
 CELL: 913.485.6037

IN ASSOCIATION WITH

JAMES A LIGHTY, ARCHITECT
 I HEREBY CERTIFY that these plans and specifications were prepared by me or under my direct supervision and to the best of my knowledge comply with all local, state and federal regulations and that I am a duly registered ARCHITECT under the laws of:
 STATE: LOUISIANA
 SEAL NUMBER: 3666
 DATE:

REVISIONS AND NOTATIONS

NO.	DESCRIPTION	DATE

DATE
 4 FEBRUARY 2019

DRAWING TITLE
 CASHWRAP VERIPHONE STAND
 INSTALLATION

DRAWING NUMBER
 TC1.1

Order Plans @

WWW.LIDSDI...COM