



THE PROFESSIONAL SERVICES of the Designer and/or Architect are undertaken for and are performed in the interest of the Project Owner. No contractual obligation is assumed by the Designer and/or the Architect for the benefit of any other entity involved in this Project.

EXISTING CONDITIONS: The Designer / Architect disclaims any responsibility for the existing building structure, site conditions, existing construction elements, or any other documents, drawings, or other instruments related to or intended to be used for any part or parts of the project, which do not bear the Architect's seal.

THIS DRAWING has been prepared by the Architect, or under the supervision of the Designer / Architect, and is intended for use on this project only. Pursuant to the Architectural Works Copyright Protection Act of 1990, all drawings, specifications, ideas and designs, including the overall form, arrangement and composition of spaces and elements appearing herein, constitute the original, copyrighted work of the Designer / Architect. Any reproduction, use, or disclosure of information contained herein without the prior written consent of the Architect/Designer is strictly prohibited. (C) Copyright 2019 by Studio T2 Design

GENERAL NOTES

RELATED DOCUMENTS: This Drawing is a single part of an integrated set of Construction Contract Documents. The General Conditions of the Contract, the General Requirements, (Division 1 of the Specifications), applicable requirements of Division 2 thru Division 16 Sections of the Specifications, and other Drawings may apply to the work described on this drawing. Failure to review other documents does not relieve the Contractor from providing a complete Project.

COMPLY WITH all laws, code and ordinances of authorities having jurisdiction, and with requirement of the Landlord, if applicable.

VERIFY ACTUAL CONDITIONS and dimensions prior to construction. Commencement of work constitutes verification and acceptance of existing conditions.

CALCULATE AND MEASURE required dimensions, do not scale the drawings unless otherwise directed.

APPLICATION of a material or equipment item to work installed by others constitutes acceptance of that work, and assumption of responsibility for satisfactory installation.

DIMENSIONS shown are to finish face of a material, unless otherwise indicated.

PROJECT CONTACT

THOM TOBEN  
 EMAIL: TLTOBEN@ST2D.COM  
 PH: 913.649.6037  
 CELL: 913.485.6037

IN ASSOCIATION WITH

JAMES A. LIGHTY, ARCHITECT  
 I HEREBY CERTIFY that these plans and specifications were prepared by me or under my direct supervision and to the best of my knowledge comply with all local, state and federal regulations and that I am a duly registered ARCHITECT under the laws of:

STATE: LOUISIANA  
 SEAL NUMBER: 3686  
 DATE:

REVISIONS AND NOTATIONS

NO.	DESCRIPTION	DATE

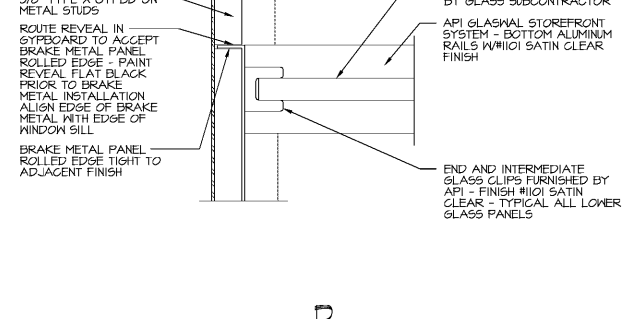
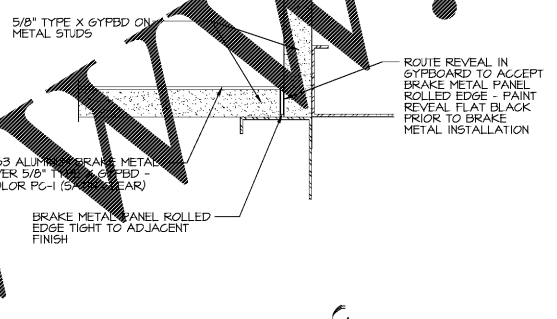
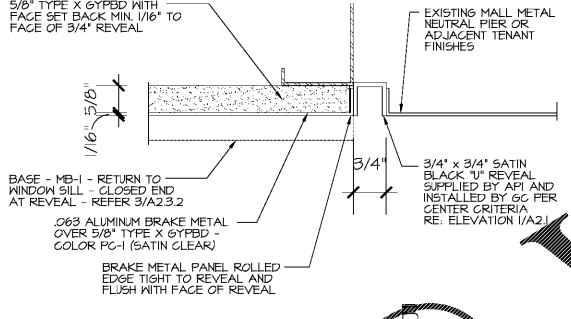
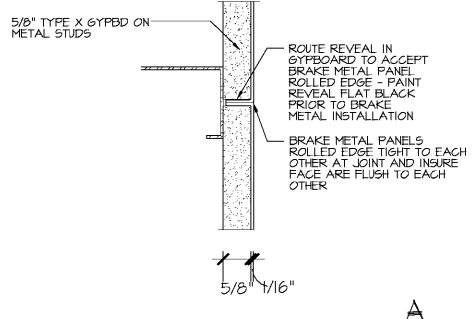
DATE  
 4 FEBRUARY 2019

DRAWING TITLE  
 STOREFRONT DETAILS

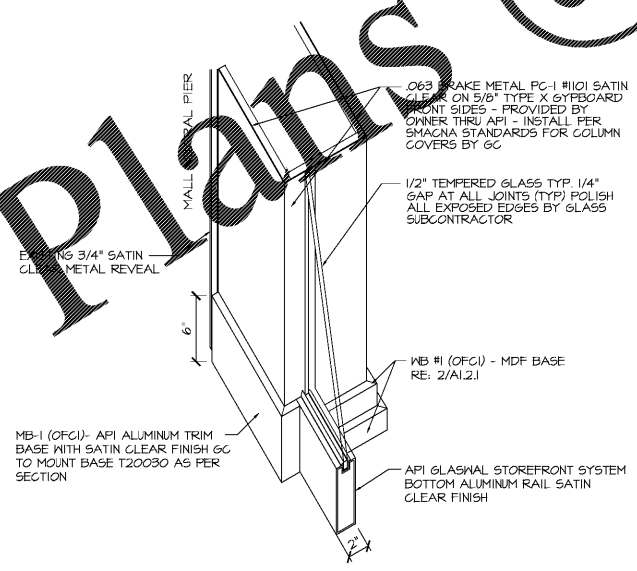
DRAWING NUMBER

A2.3.2

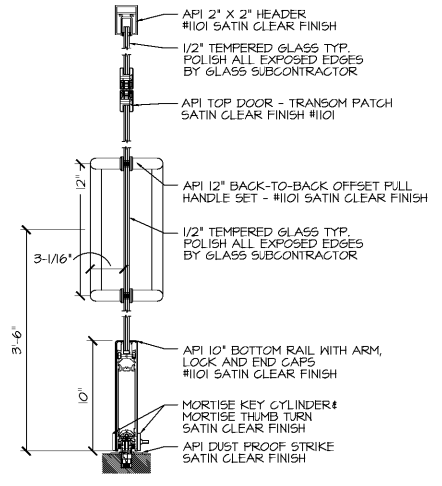
WWW.LDIDLine.com



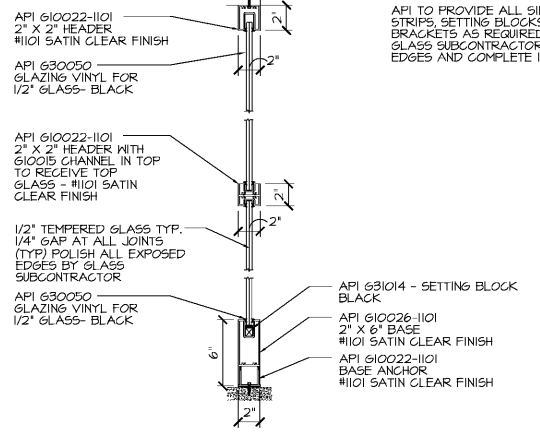
4 BRAKE METAL SEAM DETAILS  
 SCALE: 6" = 1'-0"



3 STOREFRONT METAL BASE DETAILS  
 SCALE: 1 1/2" = 1'-0"



2 STOREFRONT DOOR DETAILS  
 SCALE: 1 1/2" = 1'-0"



1 STOREFRONT GLASS DETAILS  
 SCALE: 1 1/2" = 1'-0"

Order Plans