



**GENERAL NOTES**

RELATED DOCUMENTS: This Drawing is a single part of an integrated set of Construction Contract Documents. The General Conditions of the Contract, the General Requirements, Division 1 of the Specifications, applicable requirements of Division 2, the Division 18 Sections of the Specifications, and other Drawings may apply to the work described on this drawing. Failure to review other documents does not relieve the Contractor from providing a complete Project.

COMPLY WITH all laws, codes and ordinances of authorities having jurisdiction, and with requirement of the Landlord, if applicable.

VERIFY ACTUAL CONDITIONS and dimensions prior to construction. Commencement of work constitutes verification and acceptance of existing conditions.

CALCULATE AND MEASURE required dimensions, do not scale the drawings unless otherwise directed.

APPLICATION of a material or equipment item to work installed by others constitutes acceptance of that work, and assumption of responsibility for satisfactory installation.

DIMENSIONS shown are to finish face of a material, unless otherwise indicated.

**PROJECT CONTACT**

THOM TOBEN  
 EMAIL: TLTOBEN@ST2D.COM  
 PH: 913.649.6037  
 CELL: 913.485.6037

**IN ASSOCIATION WITH**

JAMES A LIGHTY, ARCHITECT  
 I HEREBY CERTIFY that these plans and specifications were prepared by me or under my direct supervision and to the best of my knowledge comply with all local, state and federal regulations and that I am a duly registered ARCHITECT under the laws of:

STATE: LOUISIANA  
 SEAL NUMBER: 3686  
 DATE:

**REVISIONS AND NOTATIONS**

NO.	DESCRIPTION	DATE

**DATE**

4 FEBRUARY 2019

**DRAWING TITLE**

STOCKROOM ELEVATIONS  
 RESTROOM ELEVATIONS

**DRAWING NUMBER**

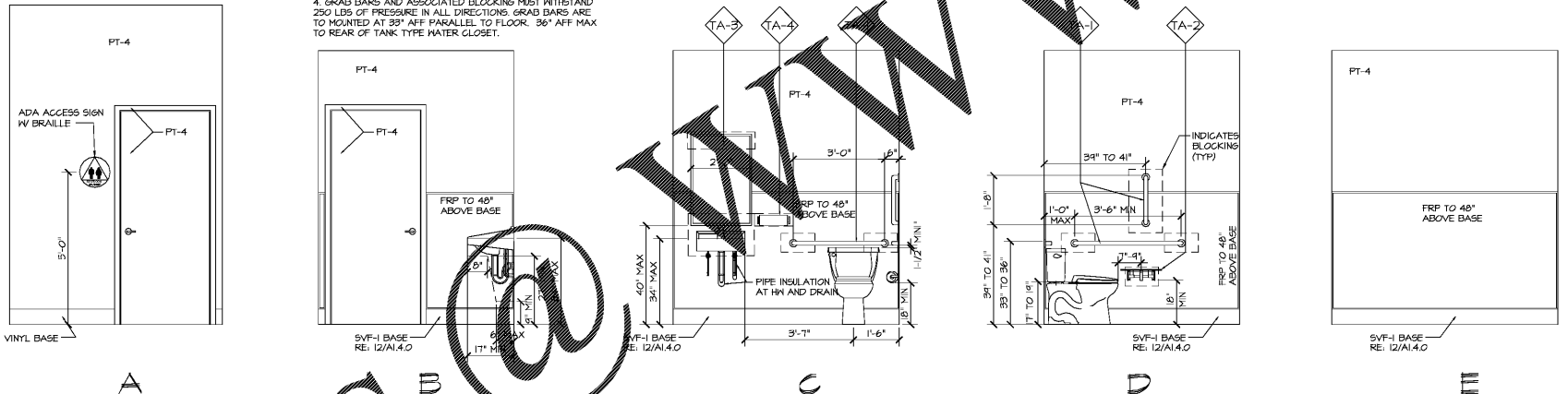
A2.0.1

- ALL SIGNS TO HAVE A LETTER HEIGHT OF 5/8" MIN TO 2" MAX
- ALL LETTERS TO BE RAISED 1/32"
- ALL SIGNS TO HAVE CORRESPONDING GRADE II BRAILLE
- ALL SIGNS TO BE MOUNTED AT 60" FROM FINISHED FLOOR TO CENTER OF SIGN
- UNSEX SIGN TO BE 12" CIRCLE, 1/4" THICK W/ 1/4" THICK TRIANGLE SUPERIMPOSED ON AND WITHIN THE CIRCLE WITH BRAILLE IDENTIFICATION.

MARK	DESCRIPTION	REMARKS
CA-1	BOURCK - #8-8000 X 36 #8-8000 1/4" AND 3/8" DIA STAINLESS STEEL GRAB BAR	STAINLESS STEEL SATIN FINISH W/ BRASS FLANGE MOUNTING PROVIDE WALL BLOCKING
CA-2	BOURCK - #8-2040 DOUBLE ROLL TOILET PAPER DISPENSER W/ 18" X 5" ACCESSORY SHELF	STAIN FIBR STEEL SATIN FINISH PROVIDE WALL BLOCKING
CA-3	BOURCK - #8-283 2436 ANSI TILT MIRROR - 24" X 36"	STAIN FIBR STEEL SATIN FINISH PROVIDE WALL BLOCKING
CA-4	BOURCK - #8-283 SURFACE MOUNTED ROLL TOILET DISPENSER	ALUMINUM CASTING HEAVY DUTY - SATIN FINISH

NOTE: ALL ACCESSORIES LISTED ABOVE TO BE SUPPLIED AND INSTALLED BY GENERAL CONTRACTOR AND MAY BE SUBSTITUTED WITH APPROVED EQUALS OR PER LOCAL CODES.

- GENERAL NOTES:**
- HOT WATER FEEDS AND DRAINS MUST BE INSULATED
  - NO ABRASIVE SURFACES TO BE EXPOSED
  - Faucets to be LEVER, PUSH OR ELECTRONICALLY CONTROLLED
  - GRAB BARS AND ASSOCIATED BLOCKING MUST WITHSTAND 250 LBS OF PRESSURE IN ALL DIRECTIONS GRAB BARS ARE TO MOUNTED AT 39" AFF PARALLEL TO FLOOR, 36" AFF MAX TO REAR OF TANK TYPE WATER CLOSET.



**5 RESTROOM ELEVATIONS**  
 SCALE: 3/8" = 1'-0"

**4 STOCKROOM ELEVATION**  
 SCALE: 3/8" = 1'-0"

**3 STOCKROOM ELEVATION**  
 SCALE: 3/8" = 1'-0"

**2 STOCKROOM ELEVATION**  
 SCALE: 3/8" = 1'-0"

**1 STOCKROOM ELEVATION**  
 SCALE: 3/8" = 1'-0"

Order Plans

WWW.LDIDLine.com