



GENERAL NOTES

RELATED DOCUMENTS: This Drawing is a single part of an integrated set of Construction Contract Documents. The General Conditions of the Contract, the General Requirements, (Division 1 of the Specifications), applicable requirements of Division 2 thru Division 18 Sections of the Specifications, and other Drawings may apply to the work described on this drawing. Failure to review other documents does not release the Contractor from providing a complete Project.

COMPLY WITH all laws, codes and ordinances of authorities having jurisdiction, and with requirement of the Landlord, if applicable.

VERIFY ACTUAL CONDITIONS and dimensions prior to construction. Commencement of work constitutes verification and acceptance of existing conditions.

CALCULATE AND MEASURE required dimensions, do not scale the drawings unless otherwise directed.

APPLICATION of a material or equipment item to work installed by others constitutes acceptance of that work, and assumption of responsibility for satisfactory installation.

DIMENSIONS shown are to finish face of a material, unless otherwise indicated.

PROJECT CONTACT

THOM TOBEN
EMAIL: TLTOBEN@ST2D.COM
PH: 913.649.6037
CELL: 913.485.6037

IN ASSOCIATION WITH

JAMES A LIGHTY, ARCHITECT
I HEREBY CERTIFY that these plans and specifications were prepared by me or under my direct supervision and to the best of my knowledge comply with all local, state and federal regulations and that I am a duly registered ARCHITECT under the laws of:
STATE: LOUISIANA
SEAL NUMBER: 3686
DATE:

REVISIONS AND NOTATIONS

NO.	DESCRIPTION	DATE

DATE

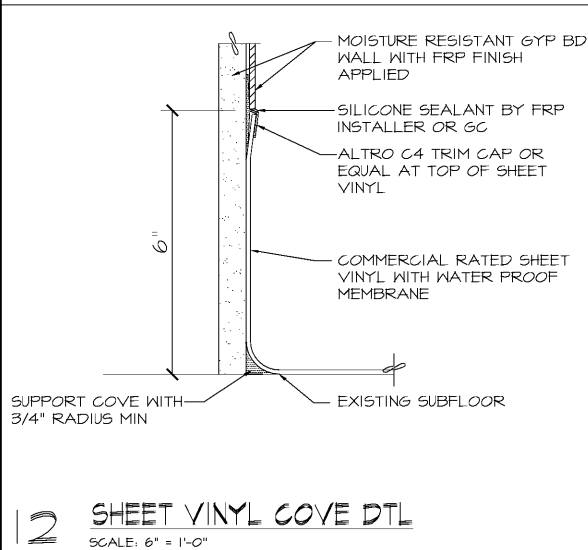
4 FEBRUARY 2019

DRAWING TITLE

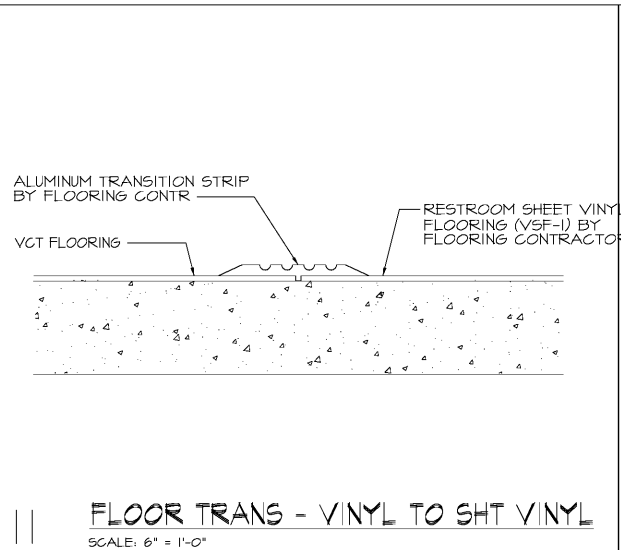
MISCELLANEOUS DETAILS

DRAWING NUMBER

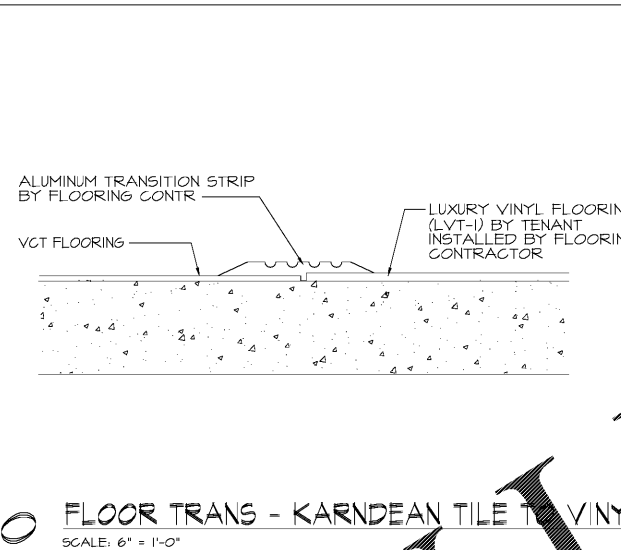
A1.4.0



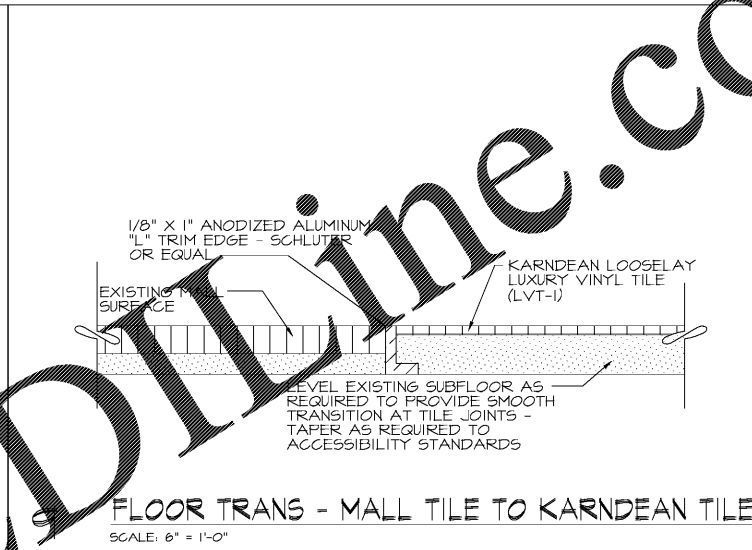
12 SHEET VINYL COVE DTL
SCALE: 6" = 1'-0"



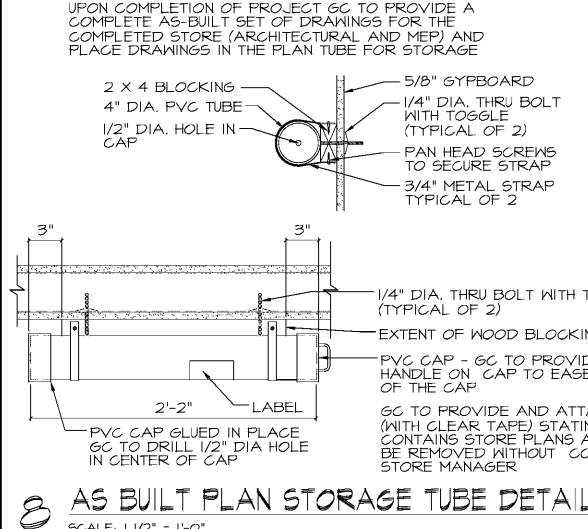
11 FLOOR TRANS - VINYL TO SHT VINYL
SCALE: 6" = 1'-0"



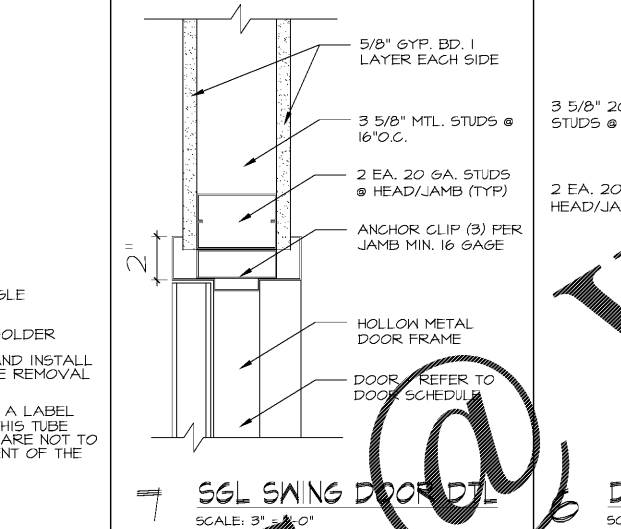
10 FLOOR TRANS - KARNDEAN TILE TO VINYL
SCALE: 6" = 1'-0"



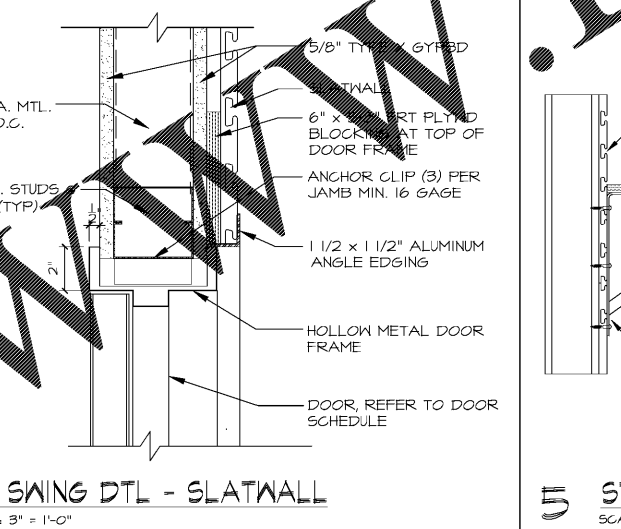
9 FLOOR TRANS - MALL TILE TO KARNDEAN TILE
SCALE: 6" = 1'-0"



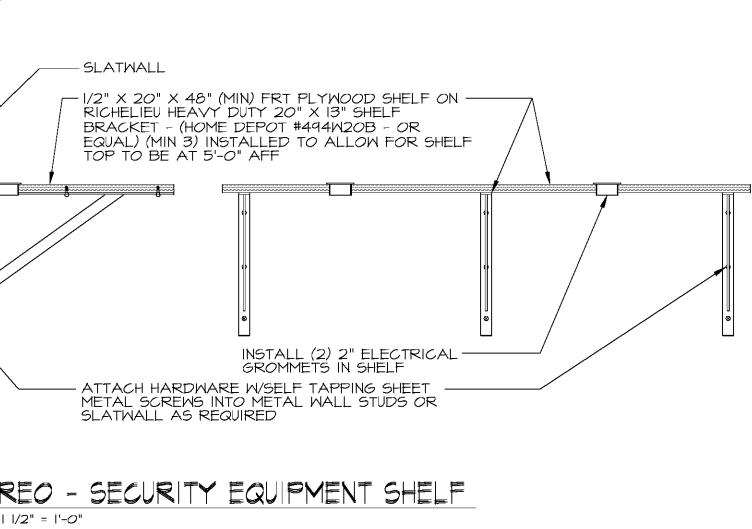
8 AS BUILT PLAN STORAGE TUBE DETAIL
SCALE: 1 1/2" = 1'-0"



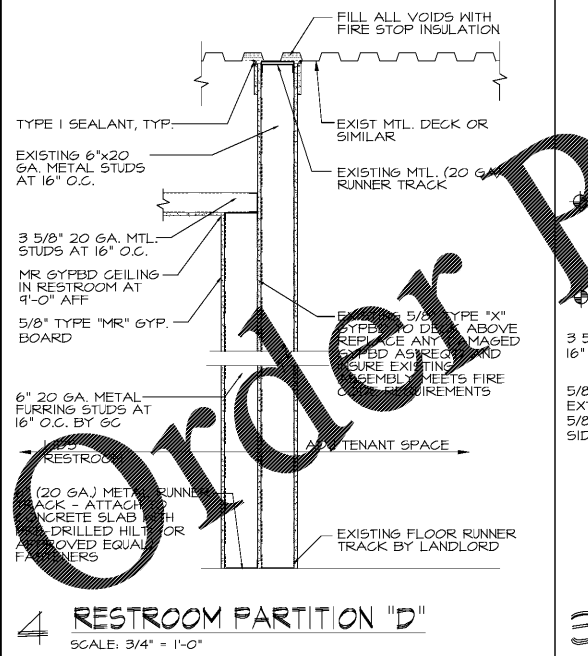
7 SGL SWING DOOR DTL
SCALE: 3" = 1'-0"



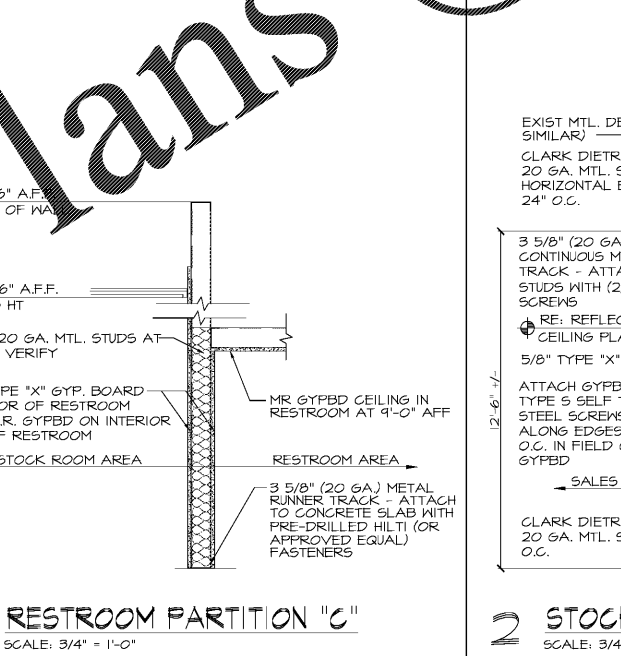
6 DR SWING DTL - SLATWALL
SCALE: 3" = 1'-0"



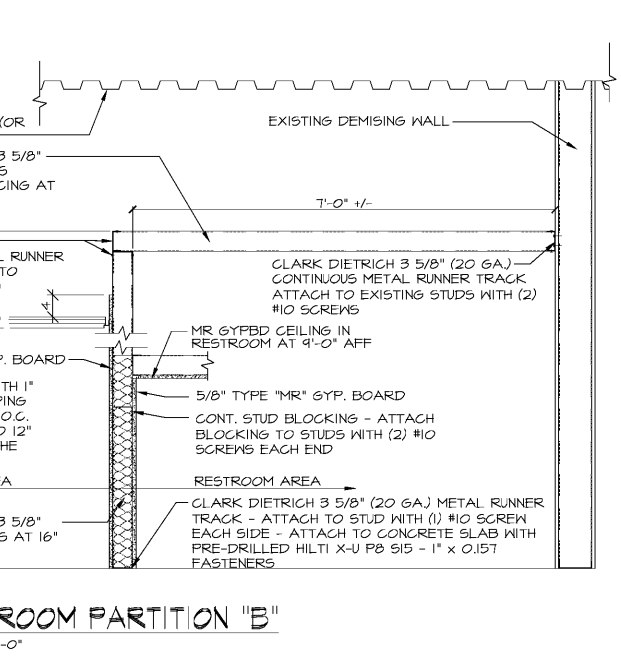
5 STEREO - SECURITY EQUIPMENT SHELF
SCALE: 1 1/2" = 1'-0"



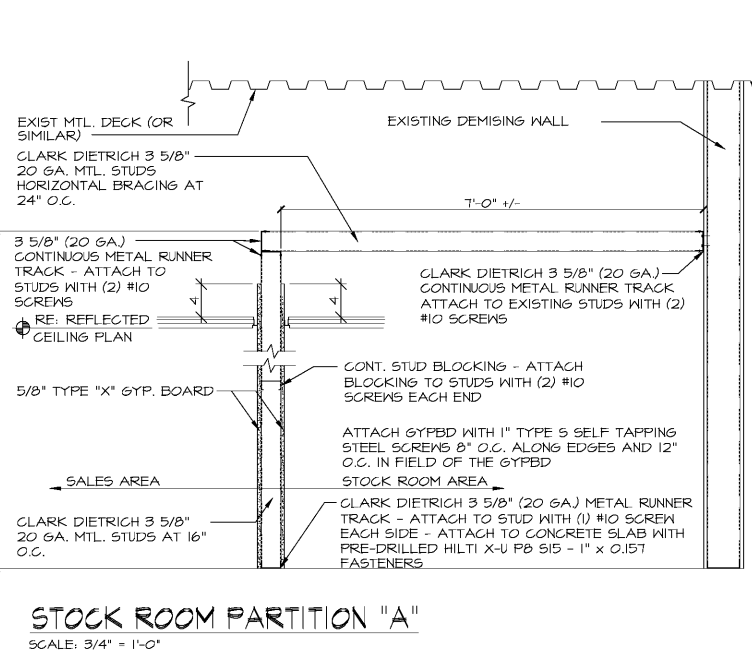
4 RESTROOM PARTITION "D"
SCALE: 3/4" = 1'-0"



3 RESTROOM PARTITION "C"
SCALE: 3/4" = 1'-0"



2 STOCK ROOM PARTITION "B"
SCALE: 3/4" = 1'-0"



1 STOCK ROOM PARTITION "A"
SCALE: 3/4" = 1'-0"

Order Plans

WWW.LIDLINE.COM