



GENERAL NOTES

RELATED DOCUMENTS: This Drawing is a single part of an integrated set of Construction Contract Documents, the General Conditions of the Contract, the General Requirements, Division 1 of the Specifications, applicable requirements of Division 2 thru Division 18 Sections of the Specifications, and other Drawings may apply to the work described on this drawing. Failure to review other documents does not relieve the Contractor from providing a complete Project.

COMPLY WITH all laws, codes and ordinances of authorities having jurisdiction, and with requirement of the Landlord, if applicable.

VERIFY ACTUAL CONDITIONS and dimensions prior to construction. Commencement of work constitutes acceptance of and assumption of responsibility for satisfactory installation.

CALCULATE AND MEASURE required dimensions, do not scale the drawings unless otherwise directed.

APPLICATION of a material or equipment item to work installed by others constitutes acceptance of that work, and assumption of responsibility for satisfactory installation.

DIMENSIONS shown are to finish face of a material, unless otherwise indicated.

PROJECT CONTACT

THOM TOBEN
EMAIL: TLTOBEN@ST2D.COM
PH: 913.649.6037
CELL: 913.485.6037

IN ASSOCIATION WITH

JAMES A LICHTY, ARCHITECT
I HEREBY CERTIFY that these plans and specifications were prepared by me or under my direct supervision and to the best of my knowledge comply with all local, state and federal regulations and that I am a duly registered ARCHITECT under the laws of:
STATE: LOUISIANA
SEAL NUMBER: 3686
DATE:

REVISIONS AND NOTATIONS

NO.	DESCRIPTION	DATE

DATE

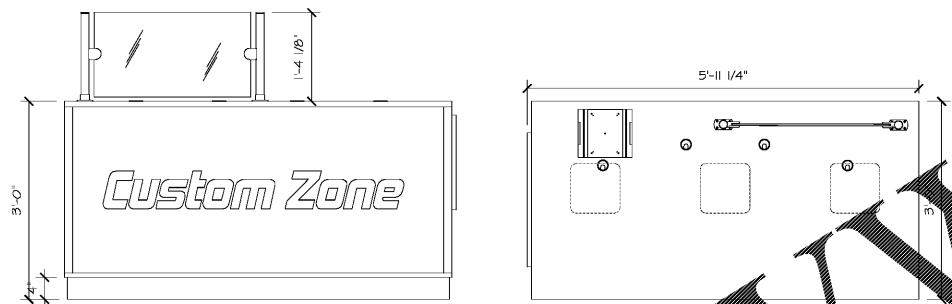
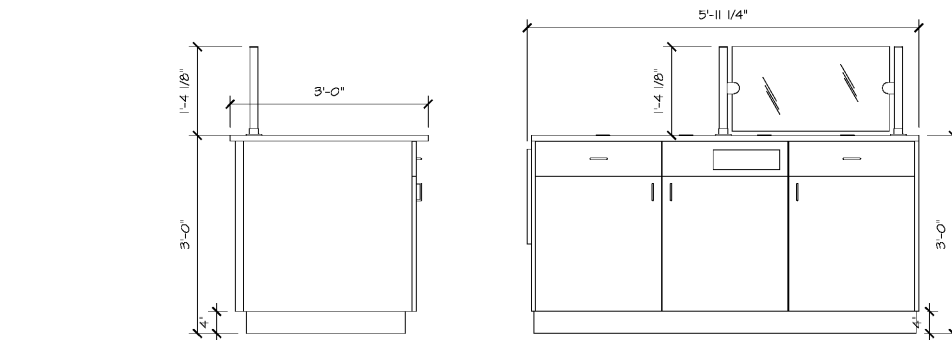
4 FEBRUARY 2019

DRAWING TITLE

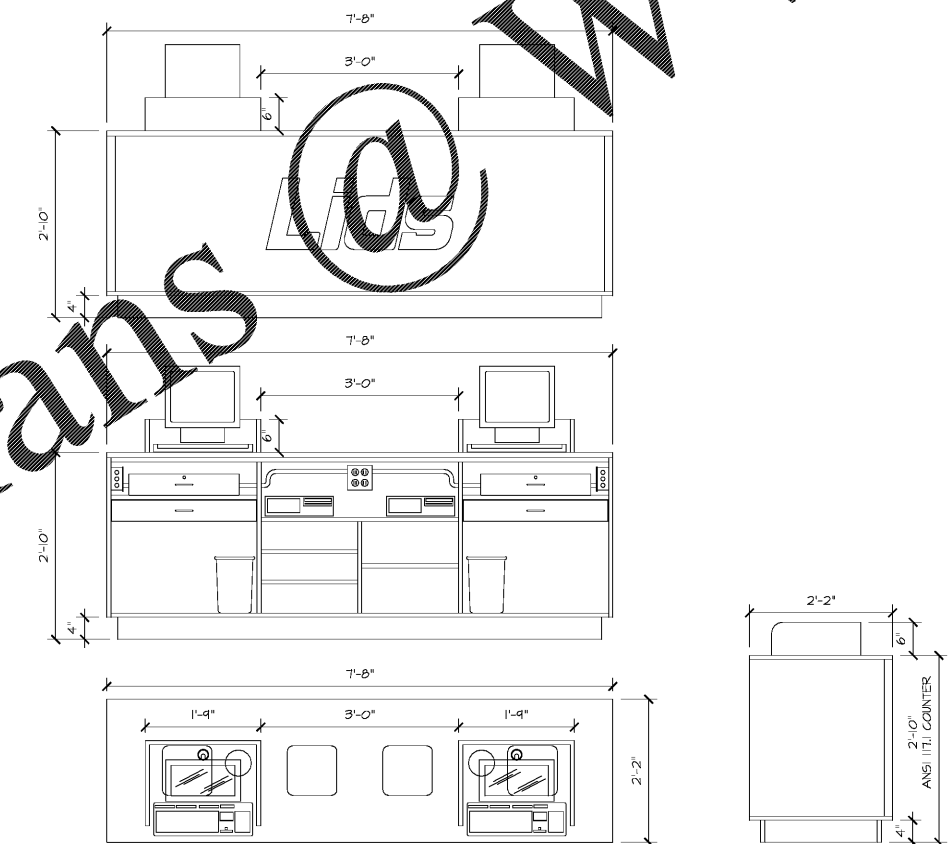
CASEWORK LAYOUT PLAN
CASEWORK KEYNOTES
CASEWORK DETAILS

DRAWING NUMBER

A1.2.0



1 EMBROIDERY STATION PLAN AND ELEVATIONS
SCALE: 3/4"=1'-0"



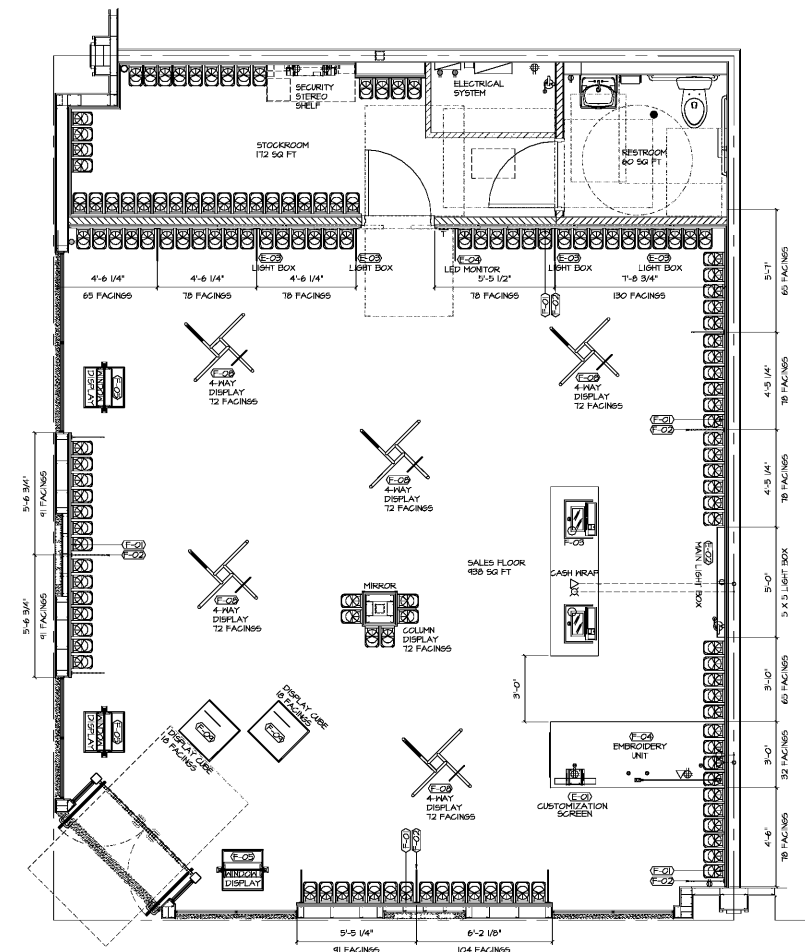
2 CASEWRAP PLAN AND ELEVATIONS
SCALE: 3/4"=1'-0"

CASEWORK KEYNOTES

- (E-01) WALL MOUNTED SLATWALL DISPLAY PANELS PROVIDED BY CASEWORK MANUFACTURER. ASSEMBLY AND INSTALLATION BY GENERAL CONTRACTOR. SLATWALL PANELS FROM SUPPLIER ARE INDEXED IN LOWER RIGHT HAND CORNER. EACH PANEL MUST BE INSTALLED WITH THE INDEX MATCHING THE SAME WAY TO ACHIEVE A SEAMLESS RUN - REFER TO 1/41.2.1 AND CASEWORK PLAN AND INTERIOR ELEVATIONS FOR ADDITIONAL INFORMATION.
- (E-02) CASEWORK DISPLAY WALL DIVIDERS PROVIDED BY CASEWORK MANUFACTURER. ASSEMBLY AND INSTALLATION BY GENERAL CONTRACTOR. REFER TO CASEWORK PLAN, ELEVATIONS AND DETAIL 1/41.2.1 FOR ADDITIONAL INFORMATION.
- (E-03) CASEWORK CASH/WRAP STATION PROVIDED BY CASEWORK MANUFACTURER. ASSEMBLY, INSTALLATION AND ELECTRICAL WIRING BY TGC - DATA WIRING BY OWNERS ITAIL SUB-CONTRACTOR. REFER TO CASEWORK PLAN AND DETAIL 2/41.2.0 - TRANSACTION COUNTER TO BE 36" AFF. FOR ADA AND ANSI 117.1.
- (E-04) CASEWORK EMBROIDERY STATION PROVIDED BY CASEWORK MANUFACTURER THRU LIDS. ASSEMBLY, INSTALLATION AND ELECTRICAL/DATA WIRING BY TGC - CONTRACTOR REFER TO CASEWORK PLAN AND DETAIL 1/41.2.1. DISPLAY COUNTER TO BE 34" AFF PER ADA AND ANSI 117.1.
- (E-05) EVOLVE FREESTANDING FOREFRONT HATS DISPLAY. HEIGHT VARIES WITH CEILING. STOREFRONT WINDOW DISPLAY PROVIDED BY FIXTURE MANUFACTURER. ASSEMBLY AND INSTALLATION BY GENERAL CONTRACTOR. REFER TO FLOOR AND TO BLOCKING. REFER TO DETAIL: 3/41.2.1.
- (E-06) CASEWORK MOBIL 52" HT - 4-WAY HAT DISPLAY PROVIDED BY CASEWORK MANUFACTURER. ASSEMBLY AND INSTALLATION BY GENERAL CONTRACTOR. REFER TO CASEWORK PLAN.
- (E-07) FEATURE FIXTURE FLOOR DISPLAY PROVIDED BY CASEWORK MANUFACTURER. ASSEMBLY AND INSTALLATION BY GENERAL CONTRACTOR. REFER TO CASEWORK PLAN.

EQUIPMENT KEYNOTES

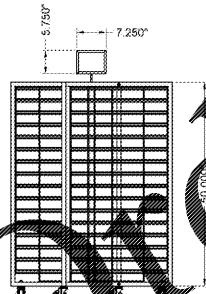
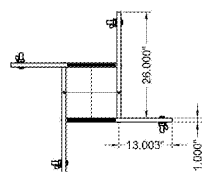
- (E-01) EMBROIDERY STATION CUSTOMIZATION SCREEN - PROVIDED BY TENANT AND ASSEMBLY AND INSTALLATION BY TGC
- (E-02) MAIN LIGHT BOX - 6'0" x 12'0" WITH ELECTRICAL DUPLEX - PROVIDED BY TENANT AND ASSEMBLY AND INSTALLATION BY TGC
- (E-03) WALL LIGHT BOX - 15" x 21" WITH ELECTRICAL DUPLEX. PROVIDED BY TENANT AND ASSEMBLY AND INSTALLATION BY TGC
- (E-04) 43" MONITOR - 37" x 12" WITH ELECTRICAL DUPLEX AND DATA CONNECTION TO REAR. PROVIDED BY TENANT AND ASSEMBLY AND INSTALLATION BY TGC



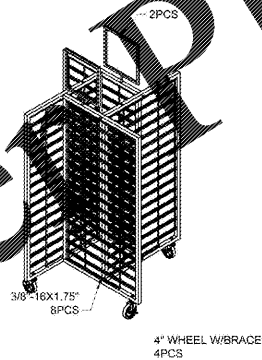
3 CASEWORK PLAN
SCALE: 1/4"=1'-0"



4-WAY HAT DISPLAY IS 50" IN HEIGHT TO TOP DISPLAY OF HATS IS BELOW THAT HEIGHT AND NO HAT IS ABOVE THE MAXIMUM ACCESSIBLE HEIGHT OF 48"



4 4 WAY HAT DISPLAY
SCALE: NTS



4" WHEEL W/BRACE
4PCS