



NO.	DESCRIPTION	DATE
-----	-------------	------

RESTROOM ACCESSORIES

MARK	DESCRIPTION	REMARKS
TA-1	BOBRICK - #B-6806 x 36, #B-6806 x 42 AND B-6806 x 18 (VERT) - 1 1/2" DIA. STAINLESS STEEL GRAB BAR	STAINLESS STEEL, SATIN FINISH /V- NAD BRANGE MOUNTING PROVIDE WALL BLOCKING
TA-2	BOBRICK #B-2192 (DOUBLE WALL) TOILET PAPER DISPENSER, 16" X 3" ACCESSORY SHELF	STAINLESS STEEL, SATIN FINISH PROVIDE WALL BLOCKING
TA-3	BOBRICK #B-2932 (ANSI) MIRROR - 24" x 36"	STAINLESS STEEL, SATIN FINISH PROVIDE WALL BLOCKING
TA-4	BOBRICK #B-253 (SPACE MOUNTED ROLL UP) PAPER DISPENSER	ALUMINUM CASTING HEAVY DUTY, SATIN FINISH

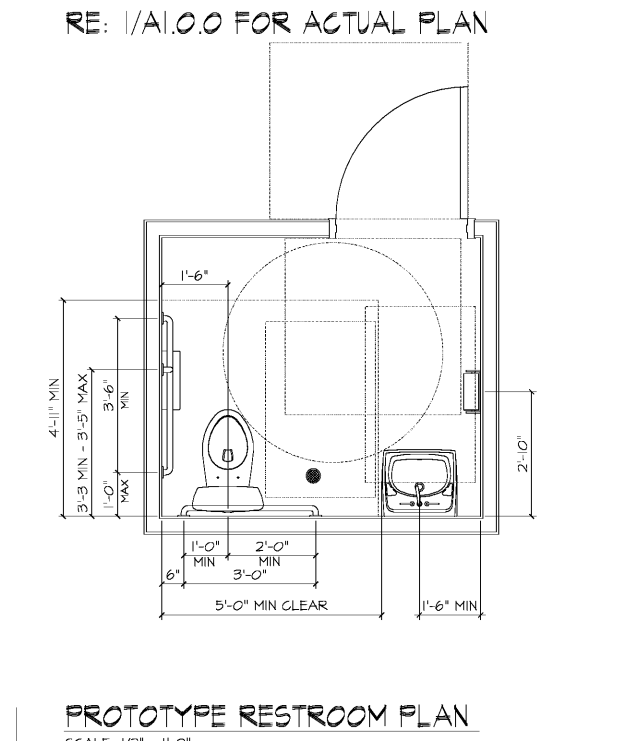
NOTE: ALL ACCESSORIES LISTED ABOVE TO BE SUPPLIED AND INSTALLED BY GENERAL CONTRACTOR AND MAY BE SUBSTITUTED WITH APPROVED EQUALS OR PER LOCAL CODE.

RESTROOM FIXTURES

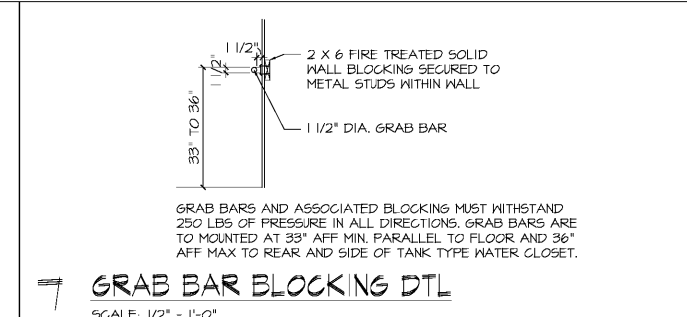
HWC	ONE (1) HANDICAP UNIT AT SIDE WALL 30.25" IN LENGTH (MIN) AND 12" FROM FACE OF REAR WALL - TOTO #CST454CUP, "DRAKE II COUPLED TOILET" - 1.28 GALLON FLUSH, 16-1/2" HIGH ELONGATED BOWL, FLOOR MOUNTED, FLOOR OUTLET, TANK TYPE, VITREOUS CHINA (WHITE), SIPHON-LET ACTION, #5C514 OPEN FRONT SEAT WITH CHECK HINGE AND LESS COVER, CHROME PLATED ANGLE STOP AND RISER, HANDLE ON OPEN WIDE SIDE OF FIXTURE
LAV	ONE (1) HANDICAP LAVATORY UNIT WALL HUNG - TOTO #LT30T, 20" x 18", VITREOUS CHINA (WHITE), FRONT OVERFLOW, DELTA #501 FAUCET WITH SINGLE METAL LEVER WITH 0.25 GPM AERATOR, OFFSET GRID ELBOW DRAIN AND 1 1/2" TAILPIECE, CHROME PLATED CAST BRASS P-TRAP WITH CLEAN-OUT (MOUNTED PARALLEL WITH WALL), CHROME PLATED LOOSE KEY ANGLE STOPS AND RISERS, FLOOR MOUNTED CONCEALED ARM LAVATORY SUPPORT, INSULATE EXPOSED DRAIN WATER SUPPLIES AND VALVES WITH FROWWRAP SEAMLESS MOLDED CLOSED CELL VINYL INSULATION
MV	MIXING VALVE: WATTS #LFUS6-B THERMOSTATIC CONTROLLED MIXING VALVE, LEAD FREE BRONZE BODY, LOCKED TEMPERATURE ADJUSTMENT CAP (VANDAL RESISTANT), COPPER ENCAPSULATED THERMOSTAT ASSEMBLY WITH BRASS SHUTTLE, STAINLESS STEEL SPRINGS, INTEGRAL CHECK VALVES ON HOT AND COLD INLETS, SET TO 110° F, ASSE 1070 LISTED
FD	FLOOR DRAIN: JR SMITH #2005-A-PO50, CAST IRON FLOOR DRAIN WITH ADJUSTABLE TOP, 6" NIKALOY STRAINER AND TRAP PRIMER CONNECTION

NOTE: COORDINATE ALL LISTED UNITS WITH CONSTRUCTION NOTES OR PLUMBING ENGINEERING SHEET

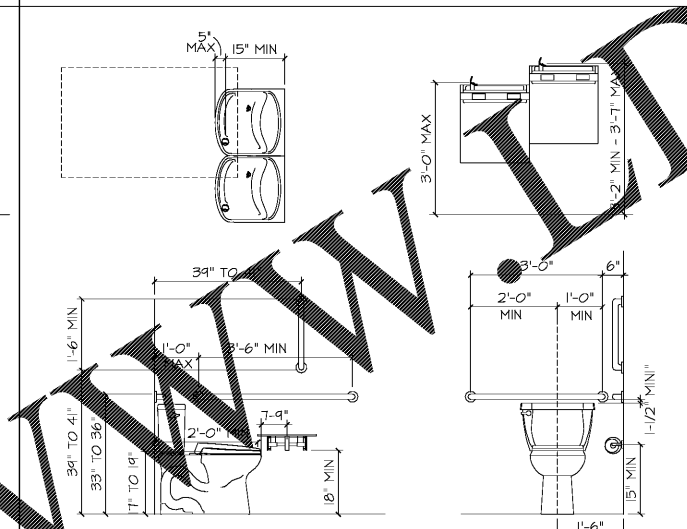
3 PROTOTYPE RESTROOM ACCESSORIES  
SCALE: NTS



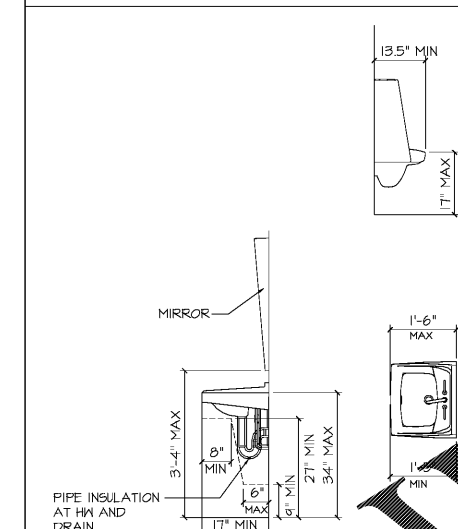
PROTOTYPE RESTROOM PLAN  
SCALE: 1/2" - 1'-0"



7 GRAB BAR BLOCKING DTL  
SCALE: 1/2" - 1'-0"



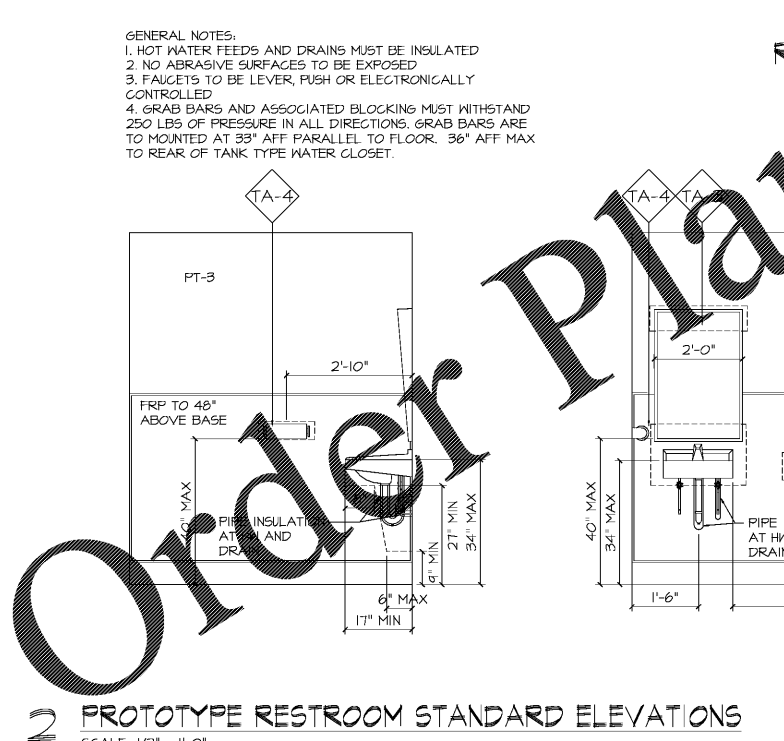
4 RESTROOM ACCESSIBILITY STANDARDS  
SCALE: 1/2" - 1'-0"



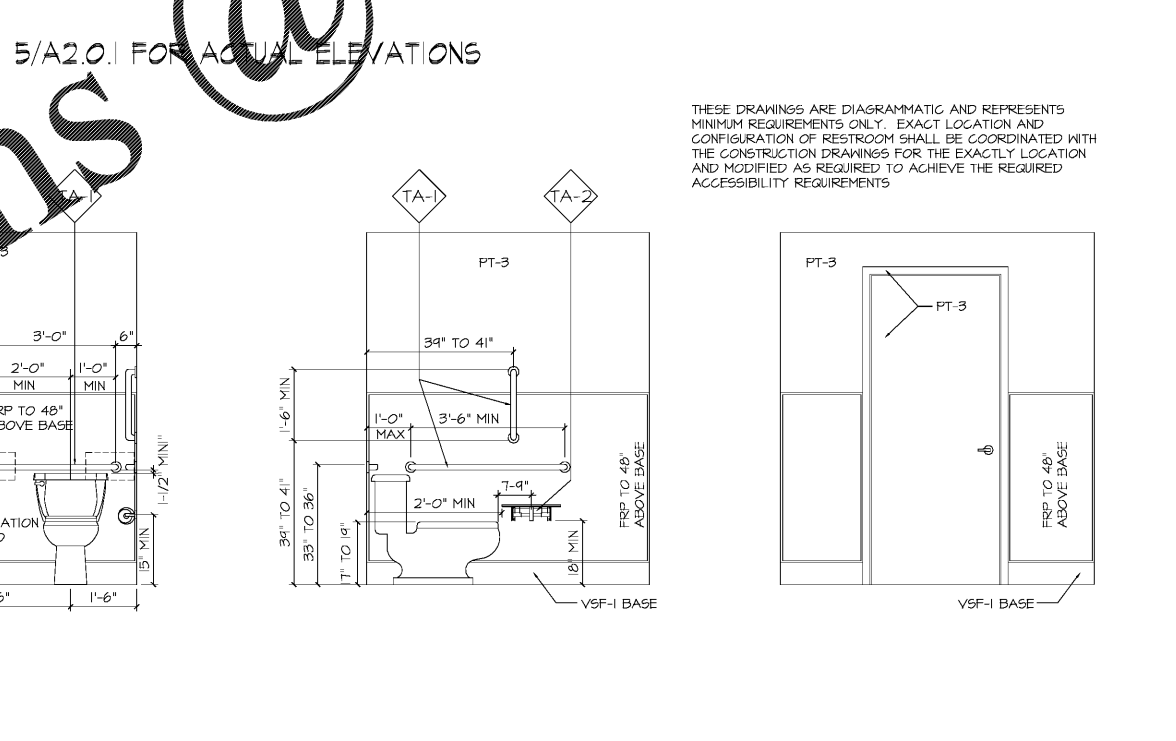
5 DRINK FOUNTAIN STANDARDS  
SCALE: 1/2" - 1'-0"

- 1. ALL SIGNS TO HAVE A LETTER HEIGHT OF 5/8" MIN TO 2" MAX
  - 2. ALL RAISED LETTERS SHALL BE 1/32" MIN ABOVE THEIR BACKGROUND
  - 3. ALL SIGNS TO HAVE CORRESPONDING GRADE 2 BRAILLE
  - 4. VISUAL CHARACTERS SHALL COMPLY WITH ADA STANDARDS
  - 5. RESTROOM DOOR SYMBOL SHALL BE MOUNTED AT 58" MIN TO 60" MAX FROM FINISHED FLOOR TO CENTER OF SIGN. DOOR SIGN TO BE MOUNTED WITHIN 1" OF THE VERTICAL CENTERLINE OF THE DOOR.
  - 5. DESIGNATED TACTILE WALL SIGN WITH BRAILLE SHALL BE LOCATED ON THE WALL ADJACENT TO THE LATCH SIDE OF THE DOOR. TACTILE CHARACTERS SHALL BE AT 48" MINIMUM ABOVE THE FINISHED FLOOR TO THE BASELINE OF THE LOWEST BRAILLE CELL AND 60" MAXIMUM ABOVE FINISHED FLOOR FROM THE BASE LINE OF THE HIGHEST LINE OF RAISED LETTER CHARACTERS.
  - 6. RESTROOM SIGNAGE: DOOR SYMBOL SIGNAGE TO BE 12" DIAMETER CIRCLE, 1/4" THICK WITH A 1/4" THICK TRIANGLE WITH A VERTEX POINTING UPWARD SUPERIMPOSED ON AND GEOMETRICALLY INSCRIBED WITHIN THE CIRCLE AND WITHIN THE 12" DIAMETER. THE VERTICES OF THE TRIANGLE SHALL BE LOCATED 1/4" MAX FROM THE EDGE OF THE CIRCLE. THE TRIANGLE SYMBOL SHALL CONTRAST WITH THE CIRCLE SYMBOL EITHER LIGHT TO DARK OR DARK TO LIGHT. THE CIRCLE SYMBOL SHALL CONTRAST WITH THE BACKGROUND OF THE SURFACE MOUNTED ON. ALL RAISED LETTERS SHALL BE 1/32" RAISED ABOVE THEIR BACKGROUND WITH 1/32" GRADE II BRAILLE WITH CORRESPONDING TEXT.
- 

6 RESTROOM ACCESSIBLE SIGNAGE NOTES  
SCALE: 1/2" - 1'-0"



2 PROTOTYPE RESTROOM STANDARD ELEVATIONS  
SCALE: 1/2" - 1'-0"



PROTOTYPE RESTROOM STANDARD ELEVATIONS  
SCALE: 1/2" - 1'-0"

Order Plans

THESE DRAWINGS ARE DIAGRAMMATIC AND REPRESENTS MINIMUM REQUIREMENTS ONLY. EXACT LOCATION AND CONFIGURATION OF RESTROOM SHALL BE COORDINATED WITH THE CONSTRUCTION DRAWINGS FOR THE EXACTLY LOCATION AND MODIFIED AS REQUIRED TO ACHIEVE THE REQUIRED ACCESSIBILITY REQUIREMENTS