



GENERAL NOTES

RELATED DOCUMENTS: This Drawing is a single part of an integrated set of Construction Contract Documents. The General Conditions of the Contract, the General Requirements (Division 1 of the Specifications), applicable requirements of Division 2, Division 16 Sections of the Specifications, and other drawings may apply to the work described on this drawing. Failure to review other documents does not relieve the Contractor from providing a complete Project.

COMPLY WITH all laws, code and ordinances of authorities having jurisdiction, and with requirements of the Lessor, if applicable.

VERIFY ACTUAL CONDITIONS and dimensions prior to construction. Commencement of work constitutes verification and acceptance of existing conditions.

CALCULATE AND MEASURE required dimensions, do not scale the drawings unless otherwise directed.

APPLICATION of a material or equipment item to work installed by others constitutes acceptance of that work, and assumption of responsibility for satisfactory installation.

DIMENSIONS shown are to finish face of a material, unless otherwise indicated.

PROJECT CONTACT

THOM TOBEN
EMAIL: TLTOBEN@ST2D.COM
PH: 913.649.6037
CELL: 913.485.6037

IN ASSOCIATION WITH

JAMES A LUCHTY, ARCHITECT
I HEREBY CERTIFY that these plans and specifications were prepared by me or under my direct supervision and to the best of my knowledge comply with all local, state and federal regulations and that I am a duly registered ARCHITECT under the laws of:

STATE: LOUISIANA
SEAL NUMBER: 3666
DATE:

REVISIONS AND NOTATIONS

NO.	DESCRIPTION	DATE

DATE

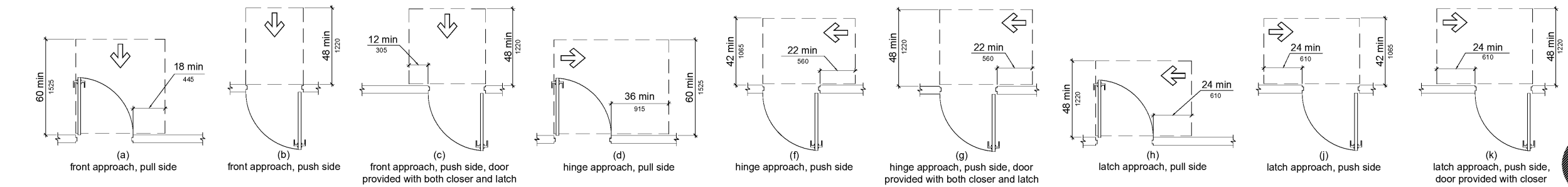
4 FEBRUARY 2019

DRAWING TITLE

ACCESSIBILITY STANDARDS

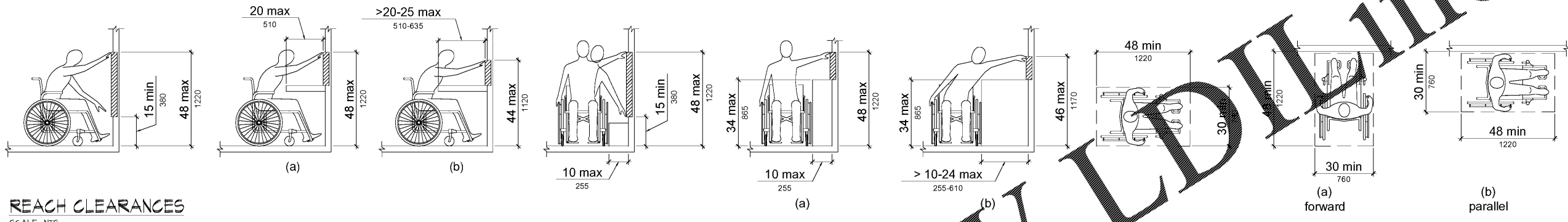
DRAWING NUMBER

A0.0



DOOR MANEUVERING CLEARANCES

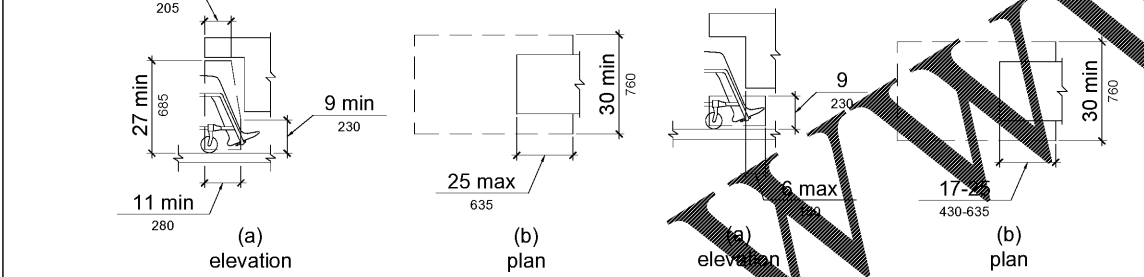
SCALE: NTS



REACH CLEARANCES

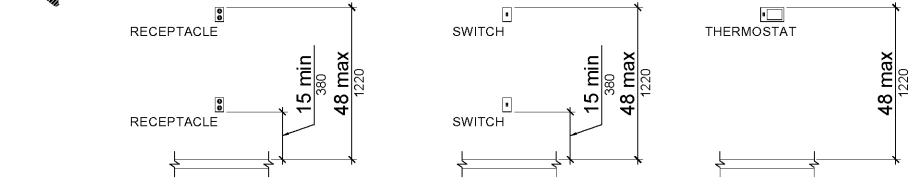
SCALE: NTS

OPERABLE PARTS
IIB-309 OPERABLE PARTS
IIB-309.2 CLEAR FLOOR SPACE. A CLEAR FLOOR OR GROUND SPACE COMPLYING WITH SECTION IIB-305 SHALL BE PROVIDED.
IIB-309.3 HEIGHT. OPERABLE PARTS SHALL BE PLACED WITHIN ONE OR MORE OF THE REACHES SPECIFIED IN SECTION IIB-309.
IIB-309.4 OPERATION. OPERABLE PARTS SHALL BE OPERABLE WITH ONE HAND AND SHALL NOT REQUIRE TIGHT GRASPING, PINCHING, OR TWISTING OF THE WRIST. THE FORCE REQUIRED TO ACTIVATE OPERABLE PARTS SHALL BE 5 POUNDS (22.2 N) MAXIMUM.



KNEE TOE CLEARANCES

SCALE: NTS

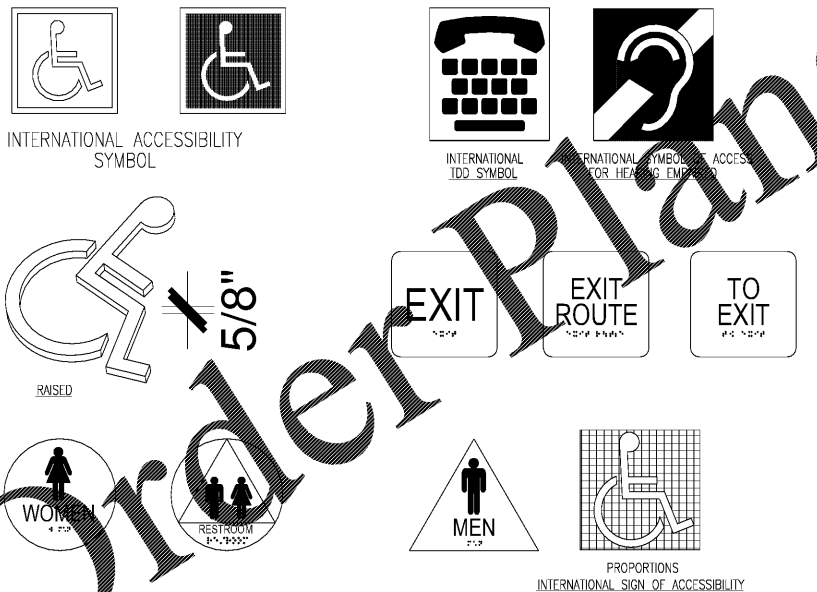


RECEPTACLE, SWITCH AND CONTROLS HTS

SCALE: NTS

OPERABLE PARTS - IIB-309

SCALE: NTS



SIGNAGE ELEMENTS

SCALE: NTS

LETTERS AND NUMBERS:

- LETTERS AND NUMBERS ON SIGNS SHALL BE RAISED 1/32" MINIMUM AND SHALL BE SANS-SERIF UPPER-CASE CHARACTERS ACCOMPANIED BY GRADE 2 BRAILLE.
- RAISED CHARACTERS OR SYMBOLS SHALL BE A MINIMUM OF 5/8" HIGH.
- PICTORIAL SYMBOL SIGNS (PICTOGRAMS) SHALL BE ACCOMPANIED BY THE EQUIVALENT VERBAL DESCRIPTION PLACED DIRECTLY BELOW THE PICTOGRAM. THE BORDER DIMENSION OF THE PICTOGRAM SHALL BE A MINIMUM OF 6" IN HEIGHT.
- LETTERS AND NUMBERS ON SIGNS SHALL HAVE A WIDTH-TO-HEIGHT RATIO OF BETWEEN 3:5 AND 1:1 AND A STROKE WIDTH-TO-HEIGHT RATIO BETWEEN 1:5 AND 1:10.
- CHARACTERS AND SYMBOLS SHALL CONTRAST WITH THEIR BACKGROUND, EITHER LIGHT CHARACTERS ON A DARK BACKGROUND OR DARK CHARACTERS ON A LIGHT BACKGROUND.
- CHARACTERS AND NUMBERS ON SIGNS SHALL BE SIZED ACCORDING TO THE VIEWING DISTANCE FROM WHICH THEY ARE TO BE READ. THE MINIMUM HEIGHT IS MEASURED USING AN UPPER CASE X. LOWER CASE CHARACTERS ARE PERMITTED. FOR SIGNS SUSPENDED OR PROJECTED ABOVE THE FINISH FLOOR IN COMPLIANCE WITH SECTION I1216, THE MINIMUM CHARACTER HEIGHT SHALL BE 3".
- CONTRACTED GRADE 2 BRAILLE SHALL BE USED WHEREVER BRAILLE SYMBOLS ARE SPECIFICALLY REQUIRED IN OTHER PORTIONS OF THESE REGULATIONS. DOTS SHALL BE 1/10" ON CENTERS IN EACH CELL WITH 2/10" SPACE BETWEEN CELLS. DOTS SHALL BE RAISED A MINIMUM OF 1/40" ABOVE THE BACKGROUND.
- ALL BUILDING ENTRANCES THAT ARE ACCESSIBLE TO AND USABLE BY PERSONS WITH DISABILITIES AND AT EVERY MAJOR JUNCTION ALONG OR LEADING TO AN ACCESSIBLE ROUTE OF TRAVEL SHALL BE IDENTIFIED WITH A SIGN DISPLAYING THE INTERNATIONAL SYMBOL OF ACCESSIBILITY AND WITH ADDITIONAL DIRECTIONAL SIGNS, AS REQUIRED, TO BE VISIBLE TO PERSONS ALONG APPROACHING PEDESTRIAN WAYS.
- WHEN PERMANENT IDENTIFICATION IS PROVIDED FOR ROOMS AND SPACES, RAISED LETTERS SHALL BE PROVIDED AND SHALL BE ACCOMPANIED BY BRAILLE IN CONFORMANCE WITH SECTION I11B5.6. SIGNS SHALL BE INSTALLED ON THE WALL ADJACENT TO THE LATCH OUTSIDE OF THE DOOR. WHERE THERE IS NO WALL SPACE ON THE LATCH SIDE, INCLUDING AT LEAF DOORS, SIGNS SHALL BE PLACED ON THE NEAREST ADJACENT WALL, PREFERABLY ON THE RIGHT. MOUNTING HEIGHT SHALL BE 60" ABOVE THE FINISH FLOOR TO THE CENTERLINE OF THE SIGNAL MOUNTING LOCATION SHALL BE DETERMINED SO THAT THE PERSON MAY APPROACH WITHIN 3" OF THE SIGNAGE WITHOUT ENCOUNTERING PROTRUDING OBJECTS OR STANDING WITHIN THE SWING OF A DOOR.
- ADDITIONAL DIRECTIONAL SIGNS ALONG ACCESSIBLE PATH OF TRAVEL ARE REQUIRED.
- BUILDINGS REMODELED TO PROVIDE ACCESSIBLE SANITARY FACILITIES FOR PUBLIC USE SHALL HAVE INFORMATION POSTED IN THE LOBBY AS PART OF THE BUILDING DIRECTORY.
- INTERNATIONAL SYMBOL OF ACCESSIBILITY: STANDARD USED TO IDENTIFY ACCESSIBLE FACILITIES.
- WHITE FIGURE ON BLUE BACKGROUND, COLOR # 15090 ON FEDERAL STANDARD # 595A.
- WHEN ENFORCING AGENCY DETERMINES, IF APPROPRIATE, SPECIAL DESIGNS AND COLORS MAY BE APPROVED.
- BRaille:
- USE CONTRASTED GRADE 2 BRAILLE. DOTS TO BE 0.1 INCH ON CENTER IN EACH CELL.
- 0.2 INCH SPACE BETWEEN CELLS.
- DOTS RAISED MINIMUM 0.025 INCH ABOVE BACKGROUND.
- TACTILE CHARACTER ON SIGNS SHALL BE LOCATED 48" MIN ABOVE FINISHED FLOOR MEASURED FROM THE BASE LINE OF THE LOWEST TACTILE CHARACTER AND 60" MAX ABOVE THE FINISHED FLOOR MEASURED FROM THE BASELINE OF THE HIGHEST TACTILE CHARACTER

Order Plans @