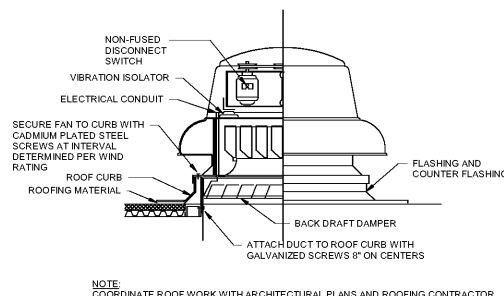
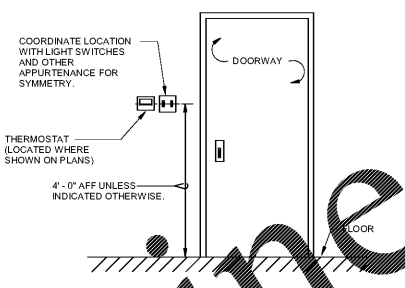


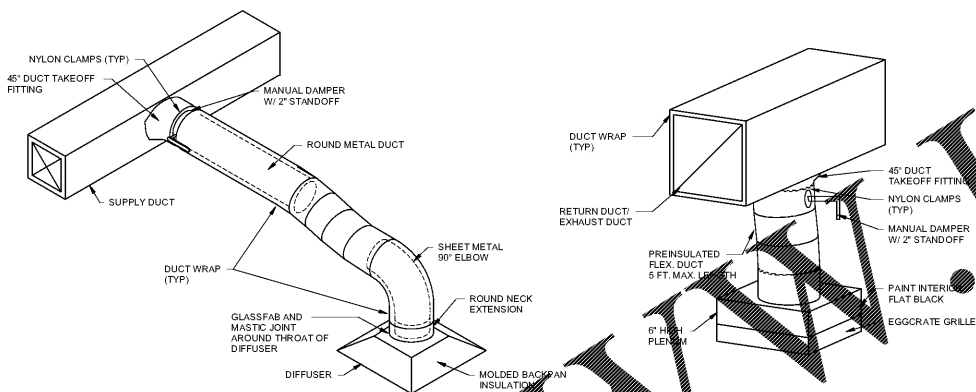
**3 HVAC DRAIN PIPING DETAIL**  
M200 NOT TO SCALE



**2 ROOF MOUNTED EF INSTALLATION DETAIL**  
M200 NOT TO SCALE

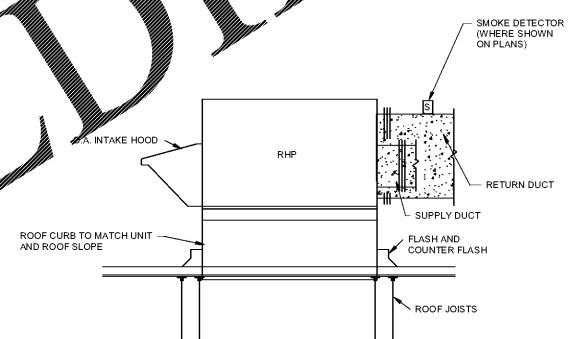


**1 THERMOSTAT MOUNTING DETAIL**  
M200 NOT TO SCALE



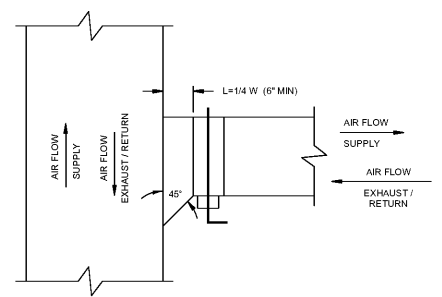
**5 TYPICAL DIFFUSER/GRILLE INSTALLATION DETAIL (RECTANGULAR)**  
M200 NOT TO SCALE

- NOTES:**
1. INSTALL NYLON CLAMP ON FLEX DUCT W/ LINE AND ALSO ON OUTER JACKET.
  2. SEAL DUCT CONNECTIONS PER DUCT MANUFACTURER'S INSTALLATION INSTRUCTIONS.
  3. INSULATION SHALL BE FULL SIZE OF GRILLE WITH SQUARE CORNERS. DO NOT COMPRESS INSULATION OR ALLOW GAPS BETWEEN INSULATION AND DIFFUSER. DO NOT TAPE INSULATION TO GRID.
  4. USE FSK INSULATION INSULATION AND BOTTOM EDGE OF DIFFUSER TO CEILING GRID. TRIM TAPE ON FACE OF DIFFUSER SHALL NOT BE EXPOSED AT CEILING GRID.
  5. IF THE ELBOW CONNECTION IS NOT POSSIBLE, PROVIDE ACCESSORY DIFFUSER ELBOW SUPPORT FOR PERFECT CONNECTION AS SPECIFIED.



**4 ROOF HEAT PUMP DETAIL**  
M200 NOT TO SCALE

- NOTE:**
1. SEAL DUCT PENETRATIONS WITH ACOUSTICAL SEALANT.
  2. INSTALL (2) LAYERS OF ACOUSTICAL SOUND BARRIER MATERIAL INSIDE ROOF CURB.
  3. INSTALL FLEXIBLE CONNECTIONS ON SUPPLY AND RETURN TRUNK DUCTS.
  4. COORDINATE WITH STRUCTURAL PLANS FOR PLACEMENT OF STEEL SUPPORTS.
  5. INSTALL SMOKE DETECTOR IN RETURN DUCTWORK BEFORE ANY BRANCH TAKEOFFS. DETECTOR SHALL BE EASILY ACCESSIBLE FOR PROPER MAINTENANCE AND TESTING.
  6. MOUNT AND SECURE EQUIPMENT ON ROOF CURB SUITABLE FOR SEISMIC AND WIND LOAD SPECIFIED IN 23910.
  7. ROUTE HVAC DRAIN LINE AS SHOWN ON ROOF PLAN.
  8. WALL PENETRATIONS SHALL HAVE WALL COLLARS FLASHED AND SEALED WEATHERTIGHT. SLOPE DUCTWORK BACK TOWARD RHP TO PREVENT WATER PENETRATION.
  9. HEAT PUMP SHALL BE INSTALLED PER MANUFACTURER'S WRITTEN INSTALLATION INSTRUCTIONS.



**6 RECTANGULAR DUCT TAKE-OFF DETAIL**  
M200 NOT TO SCALE

**LYNCH**  
ARCHITECTS  
1000 W. BROAD ST.  
SAVANNAH, GA 31401  
TEL: 912.233.1110  
FAX: 912.233.5119

**PARKER'S CANE BAY**

THE PARKER COMPANIES  
17 WEST MCCONOUGH ST.  
SAVANNAH, GA 31401

**Parkers**

MECHANICAL DETAILS

Revisions

**DW DULOHERY WEEKS**  
EST. 1958

**M200**

2/1/2019 9:14:01 AM

Order Plans @