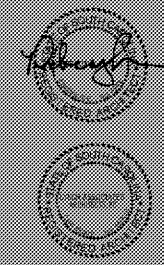


PARKER'S CANE BAY

THE PARKER COMPANIES
17 WEST MOODHOUGH ST.
SAVANNAH, GA. 31401

Parkers



Revisions

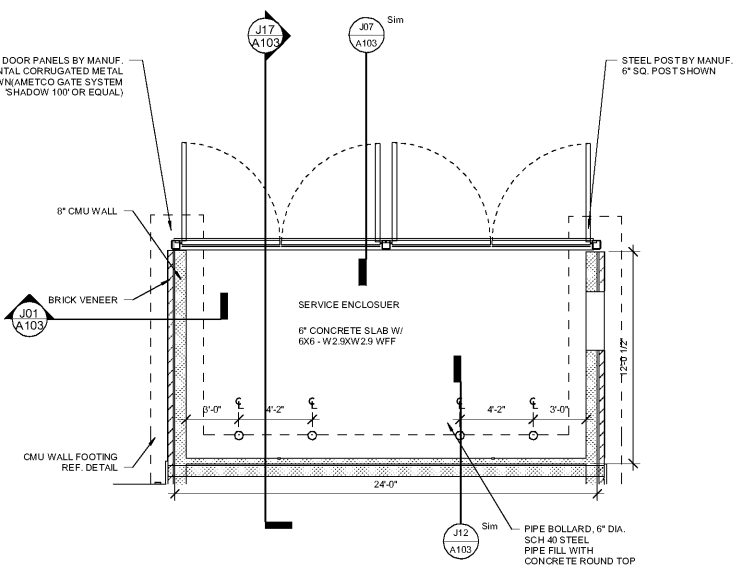
No.	Date	Description

SERVICE ENCLOSURE

As Issued
01/21/19
P. J. JONES
2/4/2019 2:01:11 PM

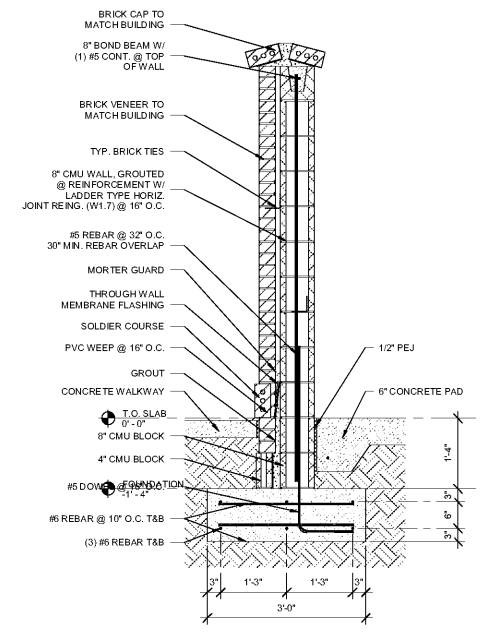
A103

2/4/2019 2:01:11 PM

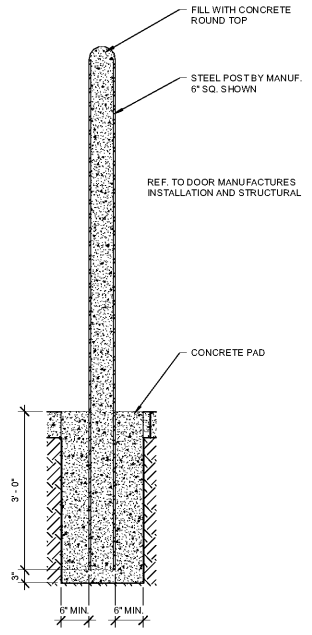


1/2" = 1'-0"
SERVICE AREA GATE A14

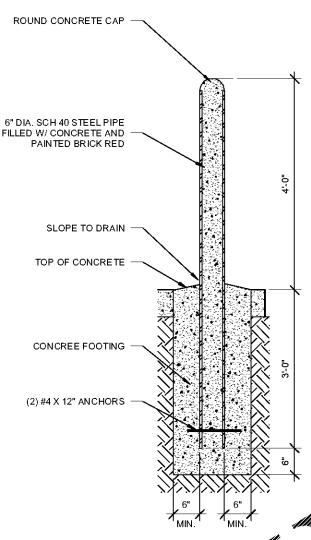
1/4" = 1'-0"
SERVICE ENCLOSURE



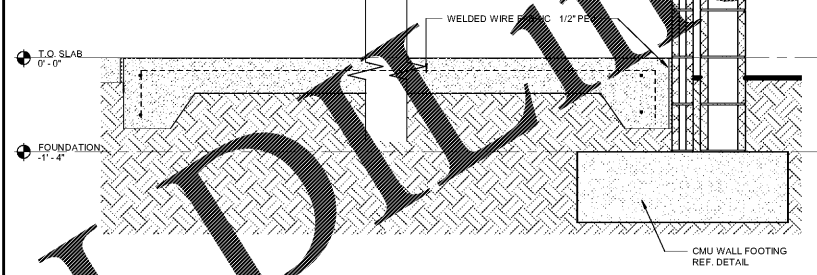
3/4" = 1'-0"
SERVICE ENCLOSURE WALL SECTION J07



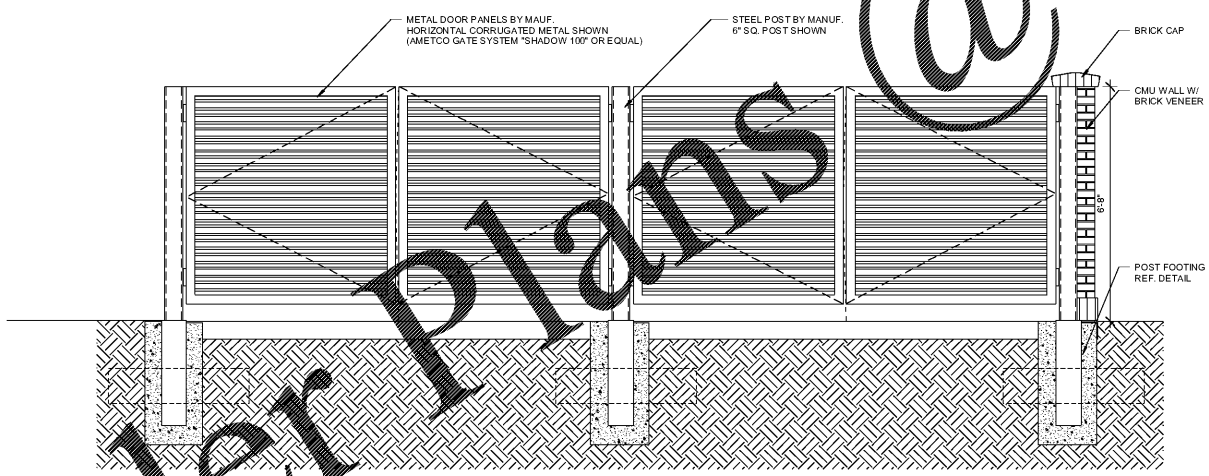
3/4" = 1'-0"
POST SECTION J12



3/4" = 1'-0"
STEEL BOLLARD DETAIL J17



1" = 1'-0"
SLAB SECTION @ DUMPSTER



1/2" = 1'-0"
SERVICE AREA GATE A14