

DOOR	ROOM	WIDTH	HEIGHT	THICKNESS	DOOR			FRAME			HARDWARE	COMMENTS
					TYPE	MATERIAL	RATING	TYPE	MATERIAL	RATING		
100D	RETAIL AREA	3'-0"	7'-0"	-	B	ALUM.	-	2	ALUM.	-	PER MANUF. SPECS.	
105A	WOMENS	3'-0"	7'-0"	1 3/4"	C	PL LAMINATE	-	1	HM	-	C.D.F.F.H.J	LOUVERED
105B	WOMENS	3'-0"	7'-0"	1 3/4"	D	PL LAMINATE	-	1	HM	-	A3.C.H.J.K.M	LOUVERED
105C	WOMENS	2'-8"	7'-0"	1 3/4"	D	PL LAMINATE	-	1	HM	-	A3.C.H.J.K.M	LOUVERED
105A	MENS	3'-0"	7'-0"	1 3/4"	C	PL LAMINATE	-	1	HM	-	C.D.F.F.H.J	LOUVERED
105B	MENS	3'-0"	7'-0"	1 3/4"	D	PL LAMINATE	-	1	HM	-	A3.C.H.J.K.M	LOUVERED
105C	MENS	2'-8"	7'-0"	1 3/4"	D	PL LAMINATE	-	1	HM	-	A3.C.H.J.K.M	LOUVERED
107	KITCHEN	3'-0"	7'-0"	1 3/4"	C	PAINTED	-	2	HM	-	A4.C.F.G.H.I.L	
108	STORAGE	3'-0"	7'-0"	1 3/4"	C	ALUM.	-	1	HM	-	A3.C.F.H.J.K.M	
112		6'-0"	6'-10 3/4"	-	A	ALUM.	-	-	-	-	-	
113		6'-0"	6'-10 3/4"	-	A	ALUM.	-	-	-	-	-	
114	RETAIL AREA	3'-0"	7'-0"	-	B	ALUM.	-	3	ALUM.	-	PER MANUF. SPECS.	VERIFY DIM. W/ MANUF.

NOTES:

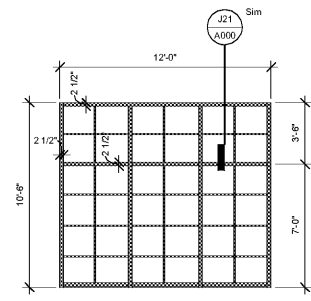
- COORDINATE FRAME, JAMB, HEAD, AND SILL WIDTH WITH ACTUAL WALL WIDTH/SIZE.
- ALL DOOR SIDE/LITE GLAZING, AND GLAZING BELOW 18", TO BE TEMPERED.
- CONTRACTOR TO VERIFY ALL DIMENSIONS AND ROUGH OPENINGS.
- MANUFACTURER TO VERIFY ROUGH OPENING DIMENSIONS PRIOR TO FABRICATION.
- CONTRACTOR TO REPORT ANY DISCREPANCIES IN DIMENSIONS TO ARCHITECT PRIOR TO ORDERING OR INSTALLATION.
- ALL THRESHOLDS TO BE ADA COMPLIANT.
- ALL NEW EXTERIOR DOOR SYSTEMS & GLAZING SHALL COMPLY WITH IBC 1609.1.4 FOR IMPACT RESISTANCE AND IBC 1609.1.2 FOR WIND LOADING CRITERIA. EXPOSURE C. GLAZED OPENINGS LOCATED WITHIN 20 FEET OF GRADE SHALL MEET THE REQUIREMENTS OF THE LARGE MISSILE TEST OF ASTM E 1996.
- ALL HARDWARE SHALL BE PROVIDED BY A SINGLE HARDWARE SUPPLIER. EXIT DOOR HARDWARE TO BE PER IBC SECTIONS 1008.1.9, 1008.1.9.3 AND 1008.1.9.5.
- THE CONTRACTOR SHALL SUBMIT A HARDWARE SCHEDULE FOR REVIEW BY THE ARCHITECT PRIOR TO INSTALLATION, WHICH INCLUDES LOCKSETS, HINGES, DEADBOLTS, FLOORSTOPS, AND ANY OTHER HARDWARE.
- COORDINATE KEYING WITH OWNER.
- PROVIDE FLOOR/WALL MOUNTED BUMPERS FOR WALL PROTECTION AT ALL DOORS.
- ALL ALUMINUM STOREFRONT TO BE CLEAR ANODIZED ALUMINUM.

HARDWARE LEGEND:

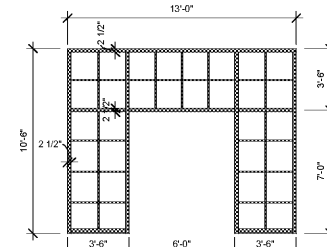
- A1 LOCKSET - ENTRY
- A2 LOCKSET - PASSAGE
- A3 LOCKSET - PRIVACY
- A4 EXIT DEVICE
- B DEADLOCK
- C HINGE
- D PUSH PLATE
- E PULL PLATE
- F DOOR CLOSER

HARDWARE LEGEND:

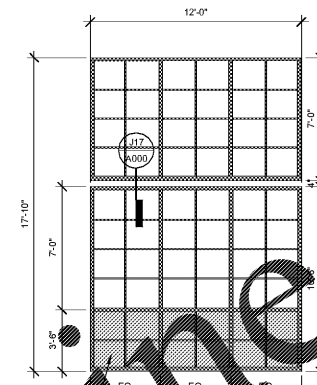
- G ADA THRESHOLD
- H KICKPLATES (BOTH SIDES)
- I WEATHER-STRIPPING (NEOPRENE)
- J SILENCERS
- K COAT HOOK
- L DRIP CAP
- M WALL BUMPER
- N DUMMY LEVER



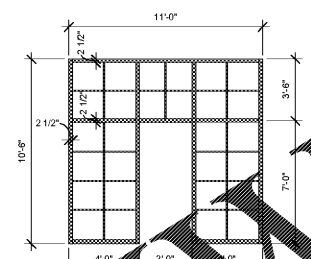
YKK YHS 50 TU (OR EQUAL) STOREFRONT 'A' TYPE 3
2 1/2" X 5" STOREFRONT FRAME W/ 1" MUNTINS (TYP.)



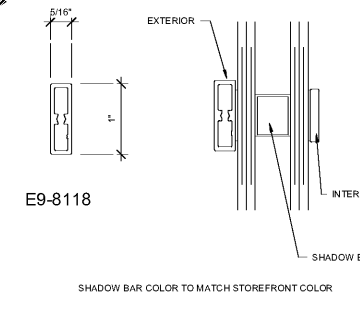
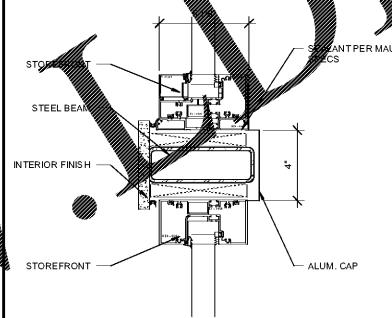
YKK YHS 50 TU (OR EQUAL) STOREFRONT 'B' TYPE 3
2 1/2" X 5" STOREFRONT FRAME W/ 1" MUNTINS (TYP.)



YKK YHS 50 TU (OR EQUAL) STOREFRONT 'C' TYPE 3
2 1/2" X 5" STOREFRONT FRAME W/ 1" MUNTINS (TYP.)

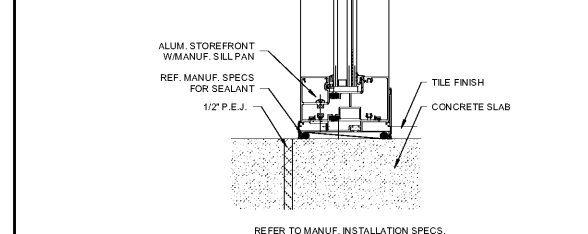
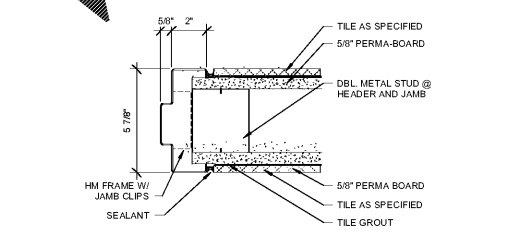
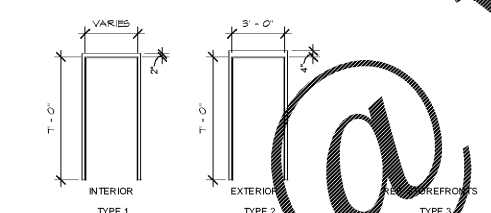
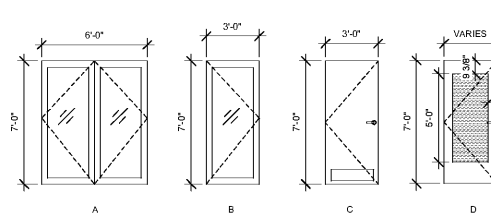


YKK YHS 50 TU (OR EQUAL) STOREFRONT 'D' TYPE 3
2 1/2" X 5" STOREFRONT FRAME W/ 1" MUNTINS (TYP.)

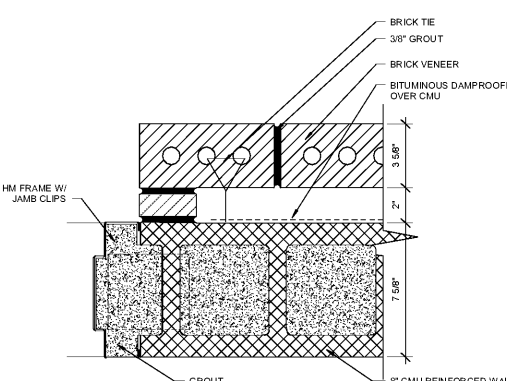


E9-8118

SHADOW BAR COLOR TO MATCH STOREFRONT COLOR



- NOTES:**
- CONTRACTOR TO VERIFY ALL DIMENSIONS AND ROUGH OPENINGS.
 - MANUFACTURER VERIFY ROUGH OPENING DIMENSIONS PRIOR TO WINDOW FABRICATION.
 - ALL INTERIOR GLAZING TO BE TEMPERED.
 - CONTRACTOR TO REPORT ANY DISCREPANCIES IN DIMENSIONS TO ARCHITECT PRIOR TO ORDERING OR INSTALLATION.
 - PROVIDE FACTORY APPLIED BRICK MOULD ON ALL REPLACEMENT WINDOWS IN EXISTING MASONRY OPENINGS.
 - ALL ALUMINUM STOREFRONT TO BE CLEAR ANODIZED ALUMINUM.



LYNCH

ARCHITECTS

PARKER'S CANE BAY

THE PARKER COMPANIES
17 WEST HODDGDON ST.
SAVANNAH, GA. 31401

Parkers

DOOR SCHEDULE

A000

2/4/2019 2:00:59 PM