

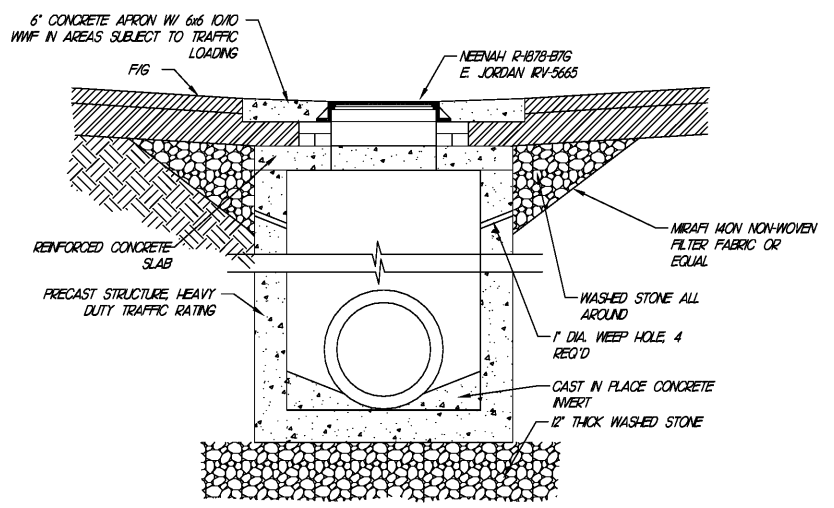
| REVISIONS | BY |
|-----------|----|
|           |    |
|           |    |
|           |    |
|           |    |
|           |    |
|           |    |
|           |    |
|           |    |
|           |    |
|           |    |

**FREELAND and KAUFFMAN, INC.**  
 Engineers • Landscape Architects  
 209 West Stone Avenue  
 Greenville, South Carolina 29609  
 864-233-5497



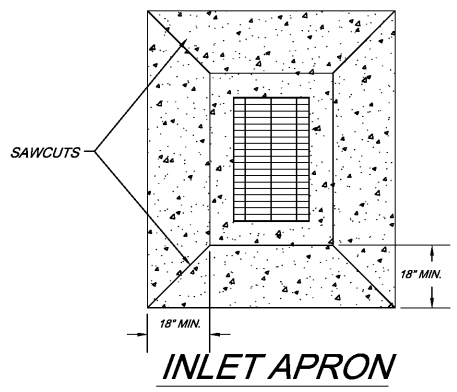
**Parker's Kitchen**  
 17 W. McDONOUGH STREET  
 SAVANNAH, GA 31401  
 CANE BAY (P#1006)

|          |  |
|----------|--|
| DRAWN    |  |
| CHECKED  |  |
| BTS      |  |
| DATE     |  |
| SCALE    |  |
| AS NOTED |  |
| DRAWING  |  |

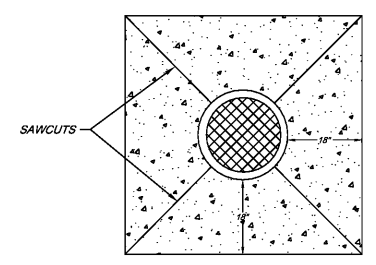


**GRATE INLET**

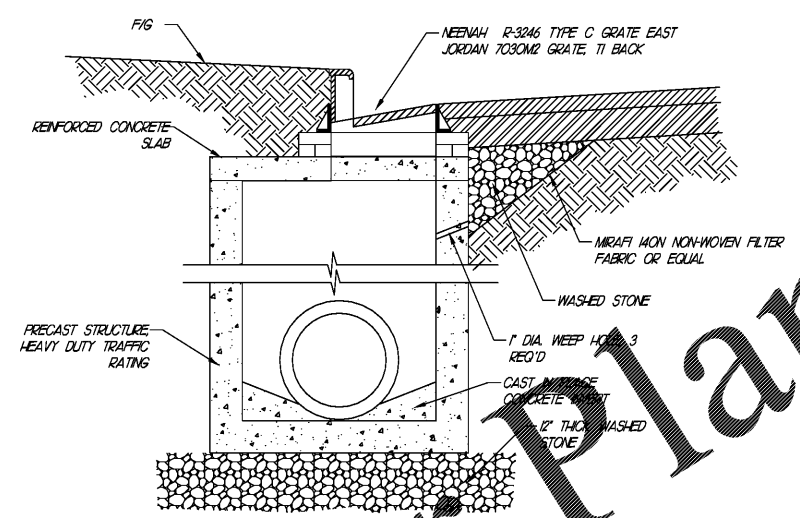
- NOTES:  
 (EMPLOYEE PARKING AREA & GRASSED AREA)  
 1. CONCRETE SHALL BE 4,000PSI MINIMUM FOR ALL PRECAST CONCRETE STORM STRUCTURES.  
 2. PRECAST CONCRETE STRUCTURES MAY ONLY BE INSTALLED TO DEPTHS CERTIFIED AS ACCEPTABLE BY THE MANUFACTURER.  
 3. BRICK MAY BE USED TO ADJUST FRAME, GRATE, & HOOD TO SURFACE ELEVATION A MAXIMUM OF 12 INCHES.



**INLET APRON**

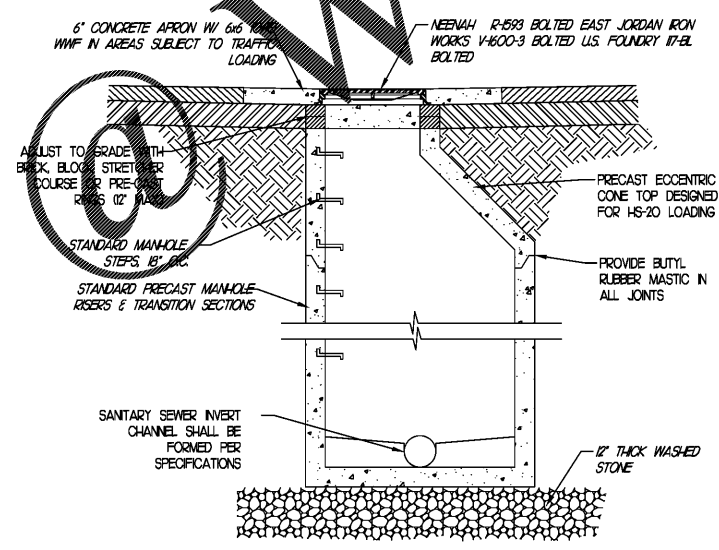


**STORM / SANITARY  
MANHOLE APRON**



**COMBINATION INLET**

- NOTES:  
 1. CONCRETE SHALL BE 4,000PSI MINIMUM FOR ALL PRECAST CONCRETE STORM STRUCTURES.  
 2. PRECAST CONCRETE STRUCTURES MAY ONLY BE INSTALLED TO DEPTHS CERTIFIED AS ACCEPTABLE BY THE MANUFACTURER.  
 3. BRICK MAY BE USED TO ADJUST FRAME, GRATE, & HOOD TO SURFACE ELEVATION A MAXIMUM OF 12 INCHES.



**STORM MANHOLE**

- NOTES:  
 1. CONCRETE SHALL BE 4,000PSI MINIMUM FOR ALL PRECAST CONCRETE STORM STRUCTURES.  
 2. PRECAST CONCRETE STRUCTURES MAY ONLY BE INSTALLED TO DEPTHS CERTIFIED AS ACCEPTABLE BY THE MANUFACTURER.  
 3. BRICK MAY BE USED TO ADJUST FRAME, GRATE, & HOOD TO SURFACE ELEVATION A MAXIMUM OF 12 INCHES.

Order Plans

WWW.LDILine.com