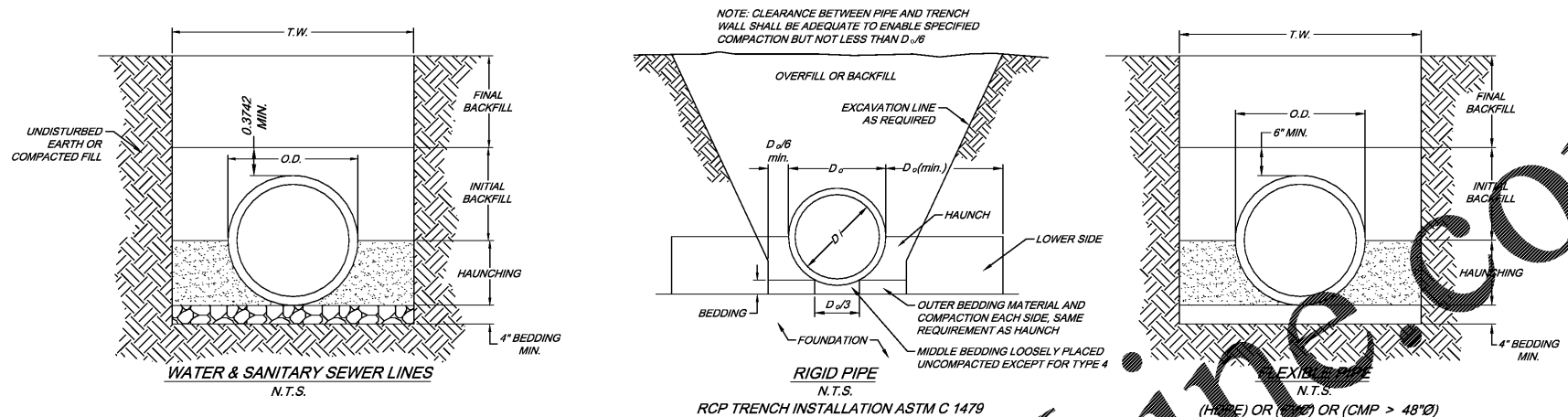
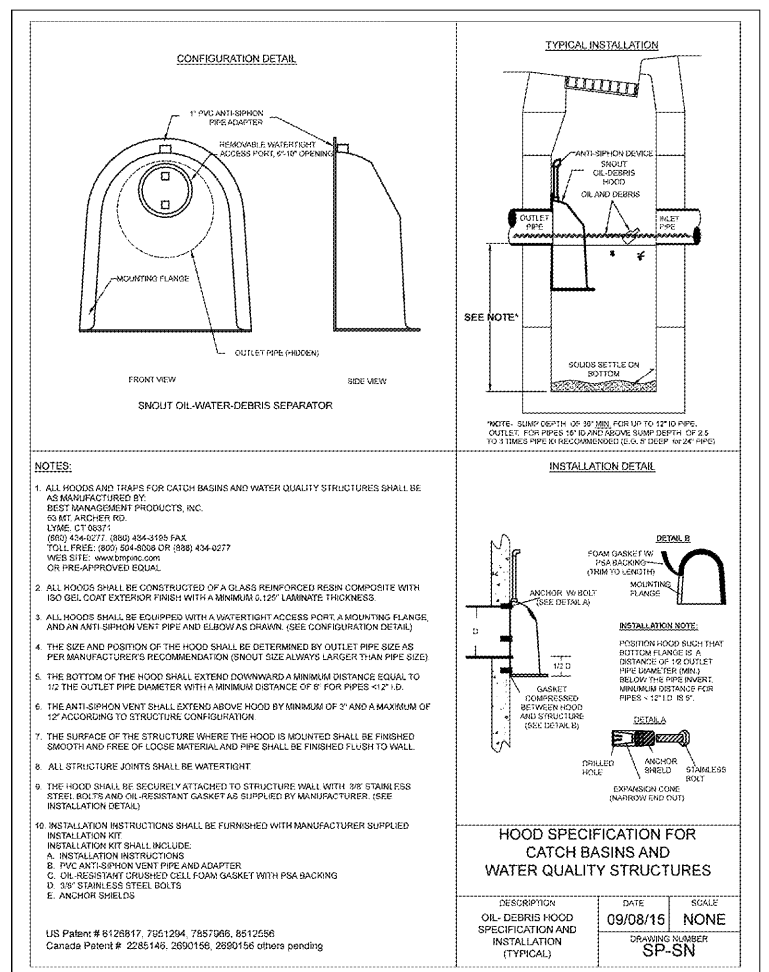


REVISIONS	BY



- NOTE:** MINIMUM TRENCH WIDTH (T.W.) SHALL BE THE GREATER OF (1.25 O.D. + 4\"/>

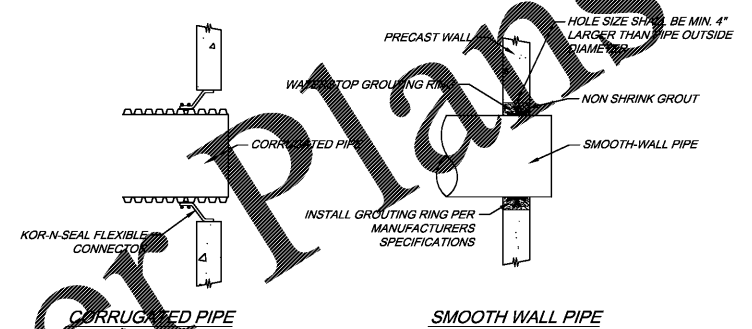
GENERAL NOTES

 - BEDDING SHALL BE DUMPED CLASS I-A WORKED BY HAND, OR CLASS I-B COMPACTED TO 95% STANDARD PROCTOR. LOCAL CODE PERMITTING WITH GEOTECHNICAL ENGINEER AND OWNER APPROVAL, NATIVE SOIL MAY BE USED FOR BEDDING PROVIDED IT MEETS THE EMBEDMENT AND BACKFILL MATERIALS IN TABLE 1 EXCLUDING CLASS IV-A.
 - HAUNCHING SHALL BE WORKED AROUND THE PIPE BY HAND TO ELIMINATE VOIDS AND SHALL BE CLASS I-B COMPACTED TO 95% STANDARD PROCTOR. PEA GRAVEL SHALL NOT BE USED AS A HAUNCHING MATERIAL. CLASS III MATERIAL SHALL BE ALLOWED FOR RIGID PIPE COMPACTED AT 95% STANDARD PROCTOR.
 - INITIAL BACKFILL SHALL BE CLASS I-B OR CLASS III AND/OR IV-A COMPACTED TO 95% STANDARD PROCTOR. CLASS I-B & III MATERIAL SHALL BE USED FOR FLEXIBLE PIPE WHEN FILL HEIGHTS EXCEED 8\"/>
 - FINAL BACKFILL SHALL BE CLASS I-B OR CLASS III AND/OR IV-A COMPACTED TO 95% STANDARD PROCTOR BELOW 18\"/>
 - FINAL BACKFILL NOT UNDER PAVED OR BUILDING AREAS CAN BE CLASS IV-A COMPACTED TO 95% STANDARD PROCTOR.
 - ALL MATERIALS ARE CLASSIFIED IN ACCORDANCE WITH ASTM D 2321. (SEE TABLE 1)
 - MATERIALS SHALL BE INSTALLED TO A MAXIMUM 8\"/>
 - TRENCH EXCAVATIONS SHALL BE SLOPED, SHORED, SHEETED, BRACED, OR OTHERWISE SUPPORTED IN COMPLIANCE WITH OSHA REGULATIONS AND LOCAL ORDINANCES.
 - DESIGN ENGINEER SHALL DESIGNATE ON THE PLANS WHERE WATERTIGHT JOINTS ARE TO BE REQUIRED.
 - REPLACE WET OR UNSUITABLE SOIL AS NECESSARY TO PROVIDE A SUITABLE BASE, AS DIRECTED BY GEOTECHNICAL ENGINEER OR OWNER.
 - WHERE GROUND WATER IS PRESENT CLASS I-A MATERIAL SHALL BE WRAPPED WITH A NON-WOVEN GEO-TEXTILE, EXCLUDING BEDDING MATERIAL BETWEEN 4\"/>
 - CONTRACTOR SHALL REFER TO GEOTECHNICAL REPORT FOR SOIL TYPE AND CLASSIFICATIONS FOR THIS PROJECT.
 - CONTRACTOR SHALL REFER TO THE LATEST VERSION OF ASTM STANDARDS PRIOR TO CONSTRUCTION AND SHALL COMPLY WITH THESE STANDARDS DURING CONSTRUCTION.

TABLE 1: CLASSES OF EMBEDMENT AND BACKFILL MATERIALS

ASTM D 2321 MATERIAL CLASS	ASTM D 2487 USCS SOIL GROUP	MATERIAL TYPE	% PASSING			ATTERBERG LIMITS	
			1 1/2 IN.	NO. 4	NO. 200	LL	PI
IA	NONE	MANUFACTURED OPEN GRADED AGGREGATES	100%	≤10%	<5%	NON PLASTIC	
IB	NONE	MANUFACTURED DENSE GRADED AGGREGATES	100%	≤50%	<5%	NON PLASTIC	
II	GW	COARSE-GRAINED SOILS, CLEAN	100%	<50% OF "COARSE FRACTION"	<5%	NON PLASTIC	
	GP						
	SW						
III	GM	COARSE-GRAINED SOILS W/ FINES	100%	<50% OF "COARSE FRACTION"	12% TO 50%	<4 OR <"A" LINE	
	GC			<7 OR >"A" LINE			
	SM			>4 OR <"A" LINE			
IV-A	ML	FINE-GRAINED SOILS	100%	100%	>50%	<4 OR <"A" LINE	
	CL					>7 OR >"A" LINE	

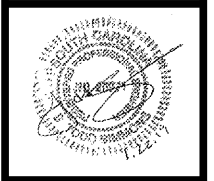
TRENCH AND BEDDING DETAILS



WATER-TIGHT PIPE TO MANHOLE CONNECTION DETAIL

- NOTES:**
- HOLE SHALL BE A MIN. 4\"/>
 - HOLES SHALL BE PRECAST OR CORED.

FREELAND and KAUFFMAN, INC.
Engineers • Landscape Architects
209 West Stone Avenue
Greenville, South Carolina 29609
864-233-5497



Parker's Kitchen
17 W. McDONOUGH STREET
SAVANNAH, GA 31401
CANE BAY (P#1006)

DRAWN
CRO
CHECKED
BTS
DATE
1/22/2019
SCALE
AS NOTED
DRAWING

STORMDRAIN
DETAILS 1 OF 2

Order Plans @