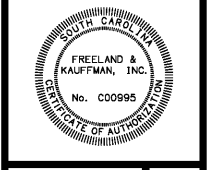
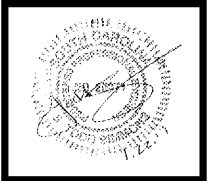


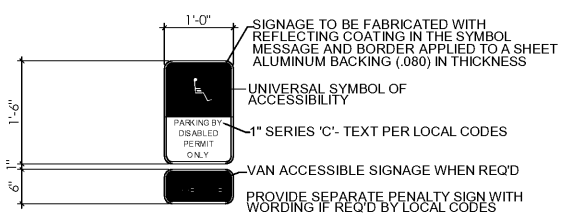
REVISIONS	BY

FREELAND and KAUFFMAN, INC.
 Engineers • Landscape Architects
 209 West Stone Avenue
 Greenville, South Carolina 29609
 864-233-5497

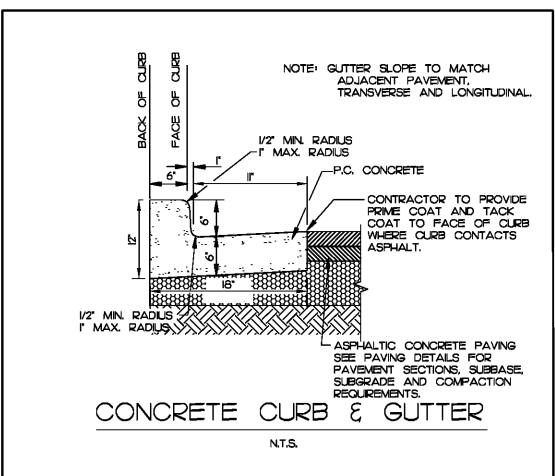


Parker's kitchen
 17 W. MCDONOUGH STREET
 SAVANNAH, GA 31401
 CANE BAY (PH1006)

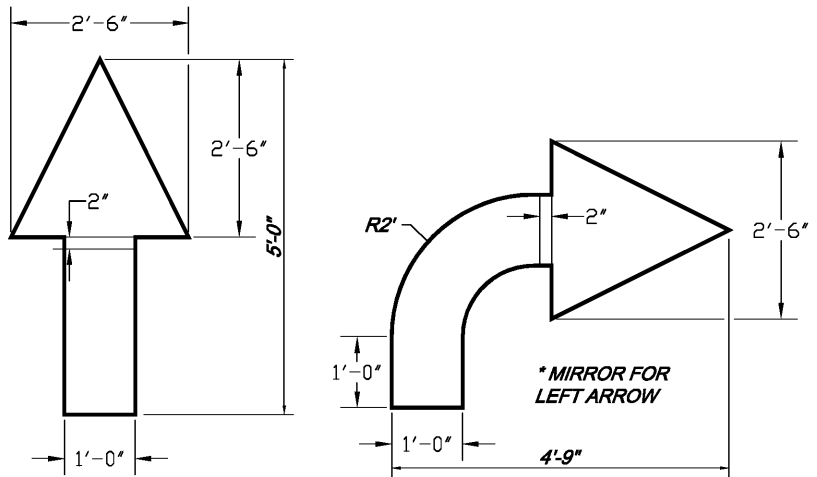
DRAWN
 CDD
 CHECKED
 BTS
 DATE
 1/22/2019
 SCALE
 AS NOTED
 DRAWING



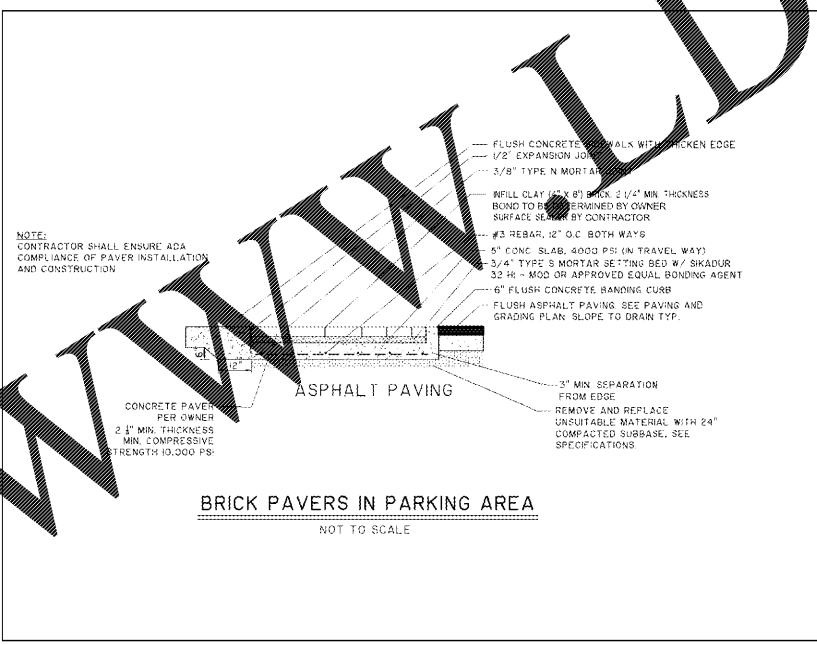
WALL MOUNTED HC
 PARKING BOLLARD / SIGN



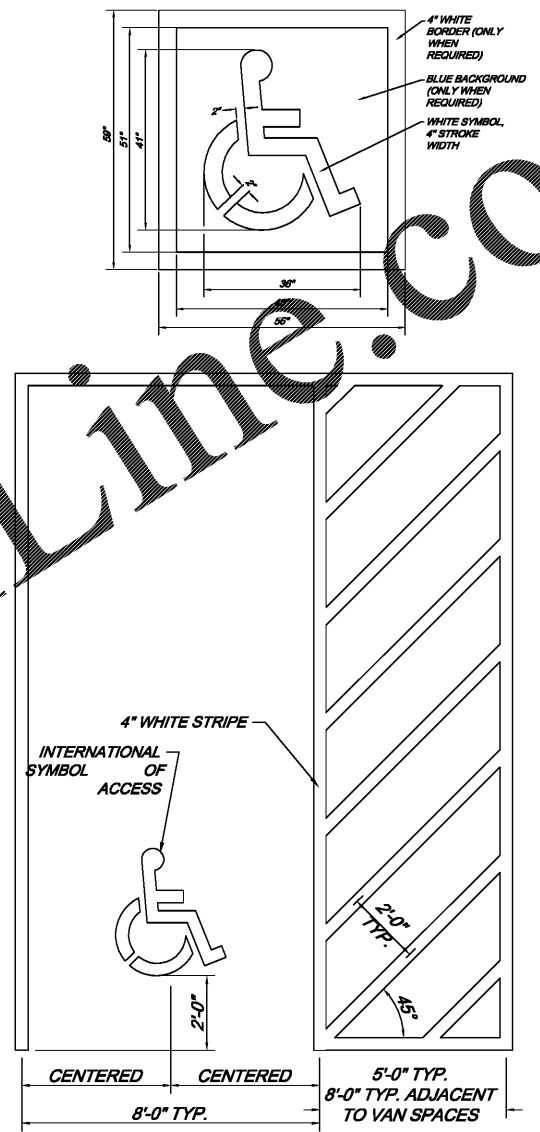
CONCRETE CURB & GUTTER
 N.T.S.



PAVEMENT MARKING ARROWS

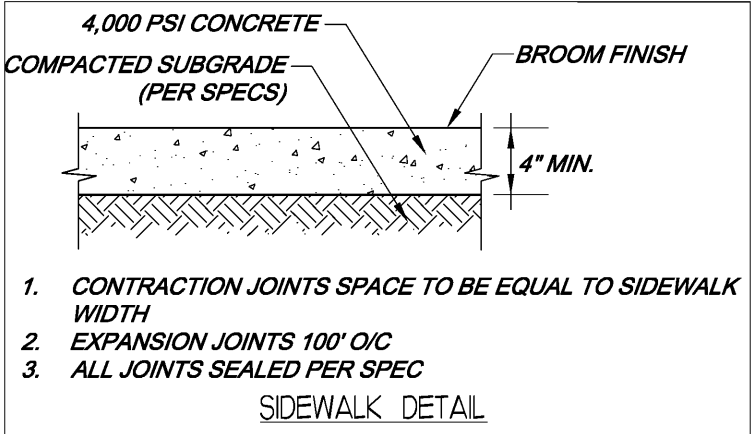


BRICK PAVERS IN PARKING AREA
 NOT TO SCALE

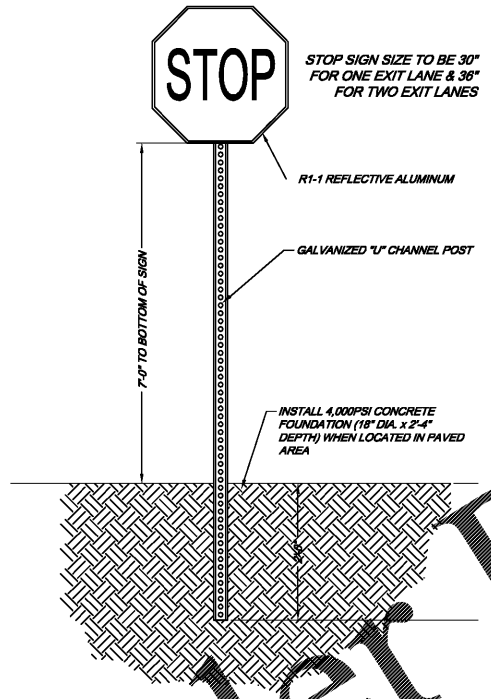


NOTES:
 1. BLUE BACKGROUND AND/OR WHITE BORDER SHALL ONLY BE INSTALLED WHERE REQUIRED BY AHJ.
 2. ALL PAVEMENT MARKINGS SHALL MATCH THE EXACT DIMENSIONS AND COLOR SHOWN ON THIS DETAIL UNLESS OTHERWISE BY AHJ.

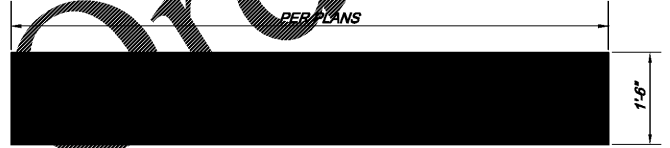
ACCESSIBLE PARKING PAVEMENT MARKINGS



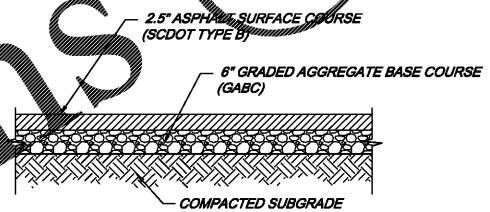
SIDEWALK DETAIL



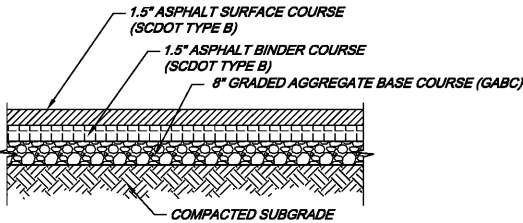
STOP SIGN DETAIL



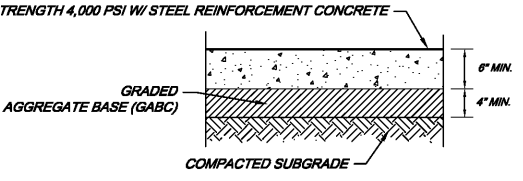
NOTE: STOP BAR TO BE 24" AT ALL DRIVEWAYS, 18" AT ALL OTHER LOCATIONS
 STOP BAR DETAIL



STANDARD DUTY ASPHALT
 PAVEMENT SECTION



HEAVY DUTY ASPHALT
 PAVEMENT SECTION



HEAVY DUTY CONCRETE
 PAVEMENT SECTION

NOTE: PAVEMENT DESIGN PROVIDED BY SUMMIT ENGINEERING, LABORATORY & TESTING, P.C.,
 FREELAND & KAUFFMAN, INC. ASSUMES NO RESPONSIBILITY OR LIABILITY FOR DESIGN