

GENERAL NOTES:

- A. CONTRACTOR TO VERIFY WHICH SYSTEM IS TO BE INSTALLED. REQUIREMENTS CAN VARY DEPENDING ON MANUFACTURER. THE CONTRACTOR IS CAUTIONED TO VERIFY ALL REQUIREMENTS PRIOR TO CONSTRUCTION.
- B. CONTRACTOR TO PROVIDE ALL RECEPTACLE OUTLETS, CONDUITS AND J-BOXES AS INDICATED ON PLAN.
- C. CONTRACTOR TO VERIFY AND COORDINATE LOCATION OF VIDEO DISPLAY DEVICES W/ BURGER KING REPRESENTATIVE.
- D. MAINTAIN P.O.S. CABLES A MIN. OF 12" AWAY FROM ANY FLUORESCENT LIGHT SOURCES ABOVE CEILING.
- E. ELECTRICAL CONTRACTOR TO IDENTIFY P.O.S. JUNCTION BOXES ABOVE CEILING "GROUND P.O.S. ONLY".

KEYED PLAN NOTES:

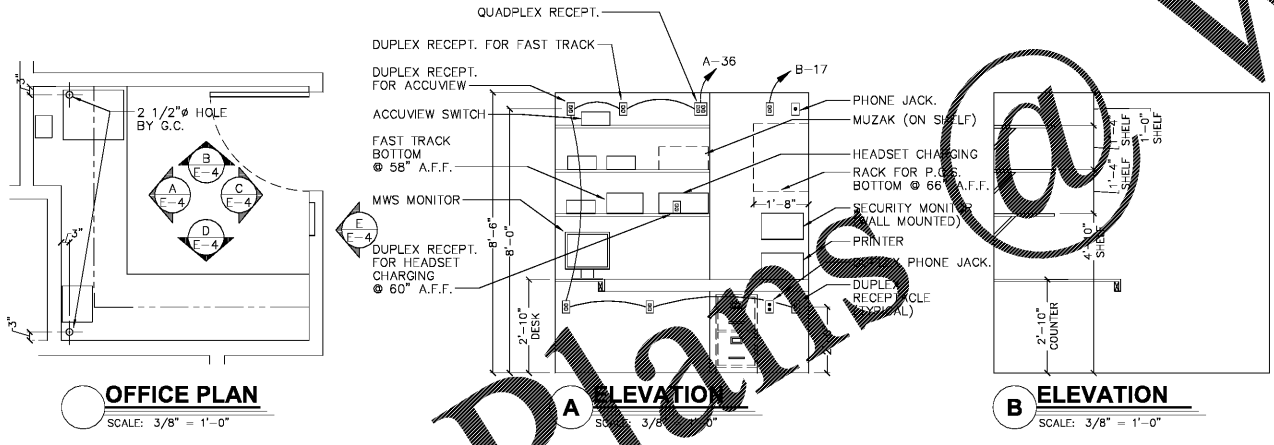
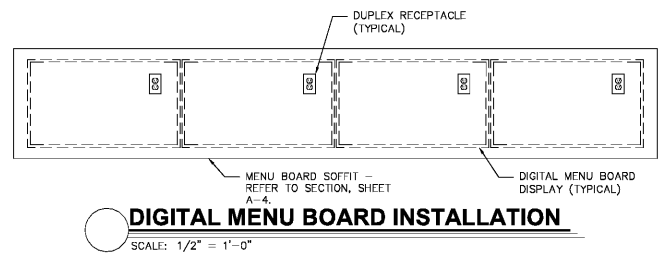
- 1 DISPLAY #1 AND BUMP BAR. PROVIDE 4" CONDUIT FOR VIDEO, BUMP BAR AND PRINTERS. PROVIDE CEILING MOUNTED RECEPTACLES. (TYPICAL FOR DISPLAY #1, #2 AND #3)
- 2 DISPLAY #2 AND BUMP BAR
- 3 DISPLAY #3 AND BUMP BAR
- 4 STOCK LEVEL LIGHT CONTROLLER @ 60" A.F.F.
- 5 TOTAL SERVICE TIME DISPLAY
- 6 GRADE DISPLAY
- 7 CLOCK-RECEPT. IN CHASE
- 8 STOCK LEVEL DISPLAY RECEPT. IN CHASE
- 9 EQUIPMENT MOUNTED RECEPTACLES BY K.E.S. CIRCUITING RUNS BY E.C.
- 10 J-BOX W/ 3/4" CONDUIT @ 84" A.F.F.
- 11 CEILING MOUNTED D/T TIMER WINDOW TIME DISPLAY
- 12 90" A.F.F. FOR D/T LAND MONITOR.
- 13 P-RING @ 24" A.F.F. W/ 1" CONDUIT TO ABOVE CLG.
- 14 J-BOX W/ 1" CONDUIT TO CLG. FOR PHU DATA CABLE. (LOCATE NEXT TO PHU RECEPT.)
- 15 SECURITY CAMERA (TYPICAL)
- 16 SECURITY MONITOR (TYPICAL)

SYMBOL LEGEND

DETAIL	DESCRIPTION
⊖	DUPLEX 125V-20A-2 POLE-3 WIRE STRAIGHT BLADE RECEPTACLE OUTLET - WALL MTD. (24" A.F.F., - U.O.N.)
⊖	SINGLE 125V-20A-2 POLE-3 WIRE STRAIGHT BLADE RECEPTACLE OUTLET - WALL MTD. (24" A.F.F., - U.O.N.)
⊥	DRYWALL P-RING
⊥	BUMP-BAR
⊖	TELEPHONE OUTLET FOR P.O.S. MODEM (ALL OUTLETS HOMERUN IN 3/4" CONDUIT TO TELEPHONE BACKBOARD) MOUNT 96" A.F.F.
⊖	P.O.S. PRINTER DEVICE
⊖	P.O.S. REGISTER DEVICE
⊖	VIDEO DISPLAY DEVICE (CEILING MTD.)
⊖	SECURITY CAMERA (TYPICAL)
⊖	SECURITY MONITOR BY TAND-EYE PROVIDE SUPPLY RECEPTACLE @ 84" A.F.F. (VERIFY) CONTACT TO PHU CIRCUITING

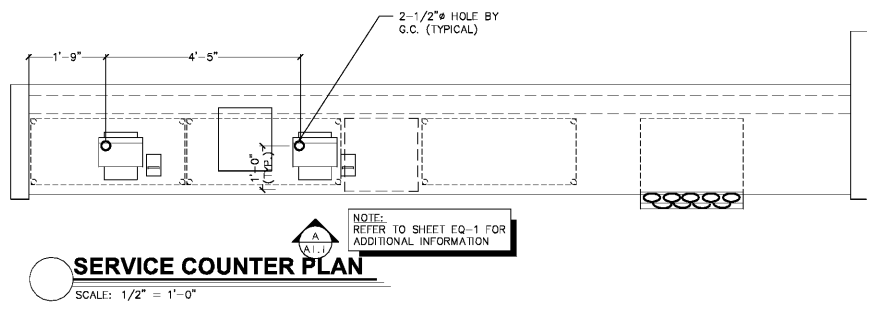
NOTES:

- 1. 1" CONDUIT TO ABOVE CEILING. DATA CABLE TO RUN TO MEDIA PLAYER(S) IN OFFICE
- 2. VERIFY NUMBER OF SCREENS USED (3 OR 4) PRIOR TO INSTALLATION OF RECEPTACLES AND P-RINGS. DETERMINE SCREEN AND MOUNTING BRACKET MODELS PRIOR TO INSTALLATION OF RECEPTACLES AND P-RINGS. REFER TO SHEET E-2, POWER PLAN FOR CIRCUITING REQUIREMENTS.

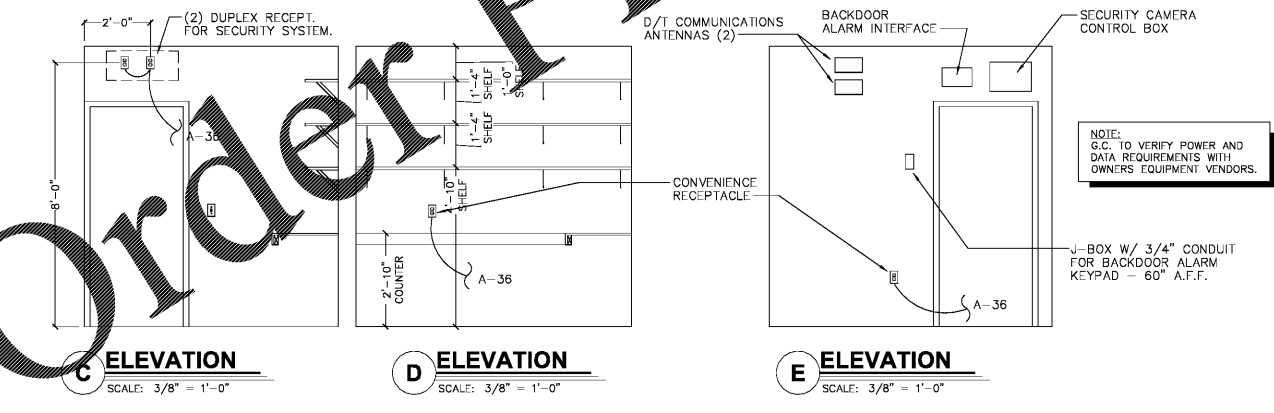


OFFICE PLAN
SCALE: 3/8" = 1'-0"

ELEVATION A
SCALE: 3/8" = 1'-0"



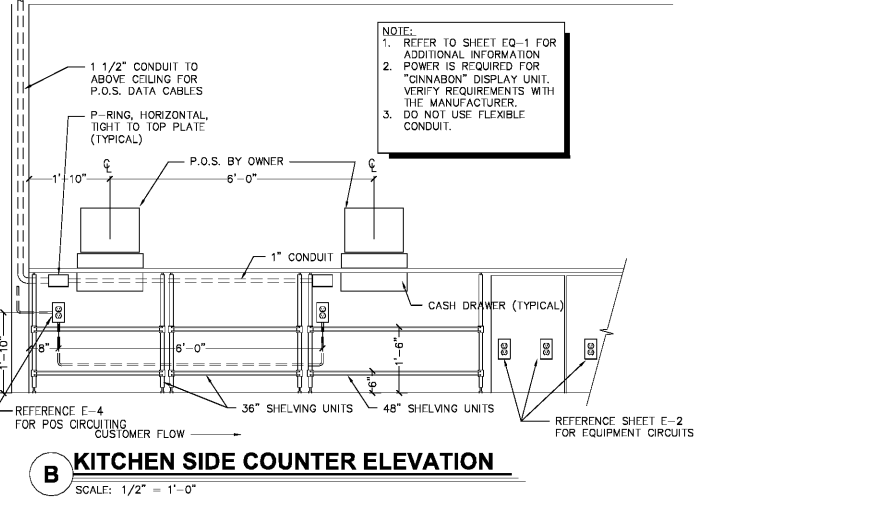
SERVICE COUNTER PLAN
SCALE: 1/2" = 1'-0"



ELEVATION C
SCALE: 3/8" = 1'-0"

ELEVATION D
SCALE: 3/8" = 1'-0"

ELEVATION E
SCALE: 3/8" = 1'-0"



KITCHEN SIDE COUNTER ELEVATION
SCALE: 1/2" = 1'-0"

NOTE: FOR EXTERIOR CAMERAS, ALL WALL PENETRATIONS MUST BE WITHIN 12" OF THE CAMERA

NOTE: REFER TO FRONT COUNTER PLAN AND ELEVATIONS FOR LOCATIONS OF POS RECEPT. & E-3 FOR EQUIP. RECEPT.

NOTE: REFER TO OFFICE ELEVATION SHEET E-4, FOR LOCATIONS AND CIRCUITING OF PHONE JACKS AND RECEPTACLES IN OFFICE.

NOTE: REFER TO SHEET EQ-1 FOR ADDITIONAL INFORMATION

NOTE: REFER TO SHEET EQ-1 FOR ADDITIONAL INFORMATION
1. POWER IS REQUIRED FOR "GONNABON" DISPLAY UNIT. VERIFY REQUIREMENTS WITH THE MANUFACTURER.
3. DO NOT USE FLEXIBLE CONDUIT.

NOTE: G.C. TO VERIFY POWER AND DATA REQUIREMENTS WITH OWNERS EQUIPMENT VENDORS.

Order Plans @

WWW.LDLINE.COM

DATE: _____
CHECKED BY: _____
DRAWN BY: _____
NO. DATE: _____



PREMIER KINGS, INC.
5529 CAMMIECHAM ROAD
MONTGOMERY, ALABAMA 36117
PHONE: _____
LINDSEY@BKALABAMA.COM

0126 Maple Avenue
Birmingham, AL 35203
Phone (205) 322-1751
Fax (205) 322-1778
email: info@hplina.com
www.hplina.com

hendson huckestein architects, PC
architecture • planning • interior design



PROJECT # 18026.02
RCC-60 TALL 20/20 MAKE: NOVEMBER 2018 DESIGN RELEASE
BURGER KING RESTAURANT
STREET ADDRESS
HARRISVILLE, AL
TECHNOLOGY PLAN