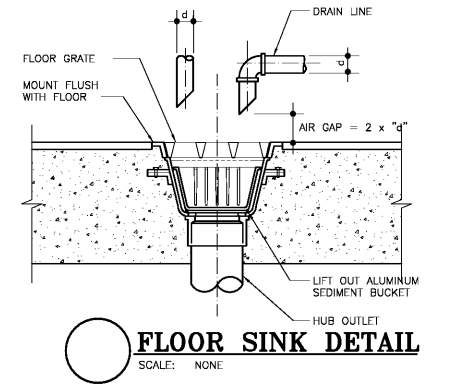
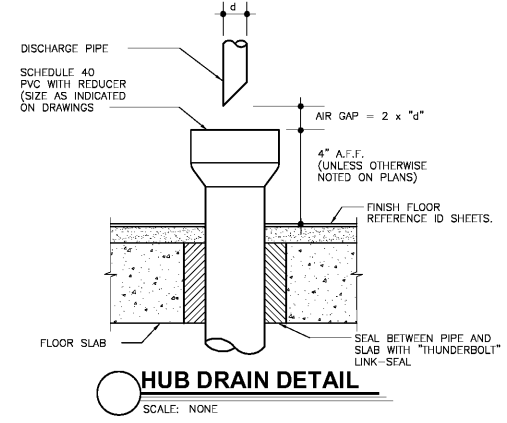
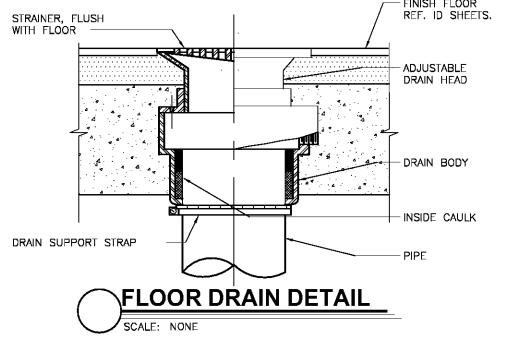
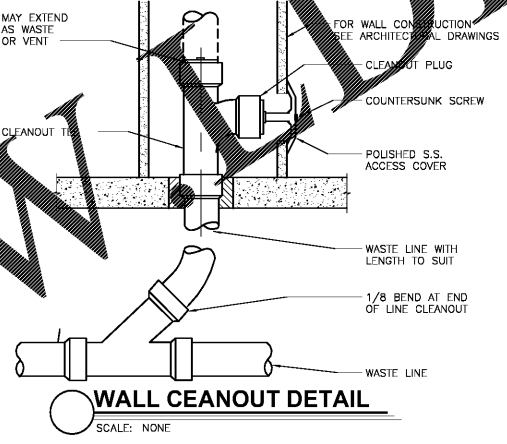
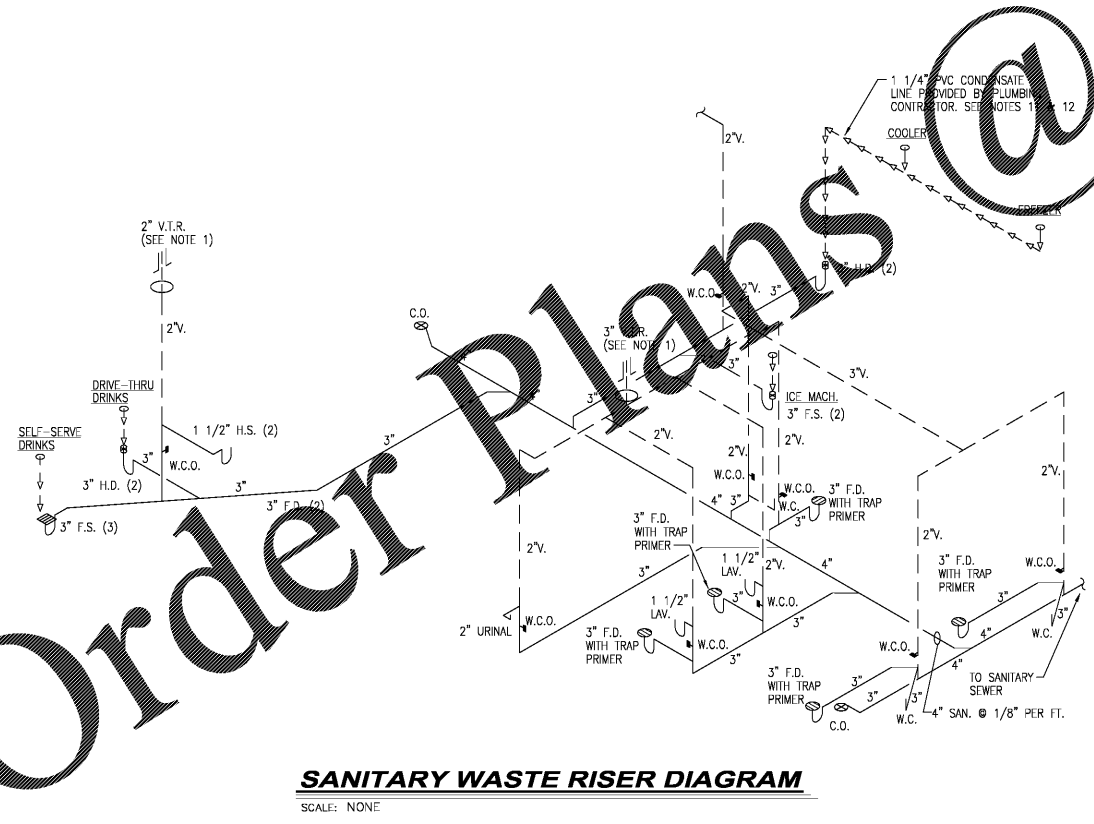
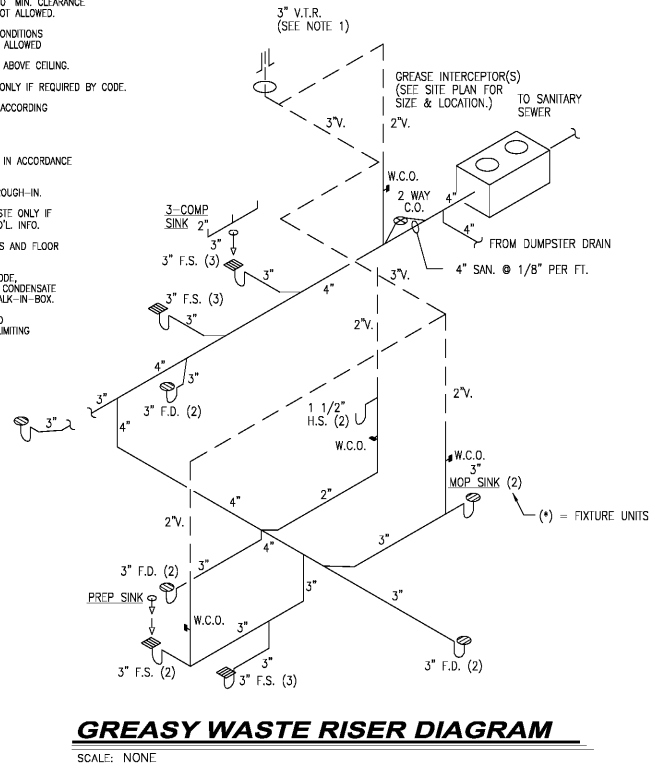
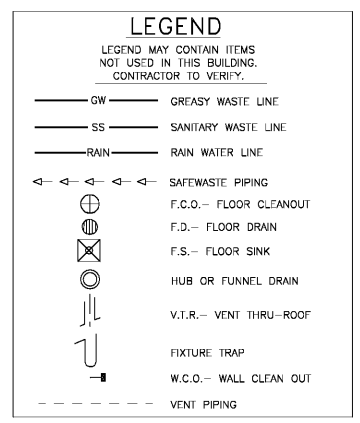


PLUMBING FIXTURE SCHEDULE					
MARK	FIXTURE	MANUFACTURER	MODEL NUMBER	MODEL NAME	VALVE
P-1	WATER CLOSET	* REFER TO SHEET A-3.1 FOR IMAGE SPECIFIC FIXTURES			
P-2	WATER CLOSET - ADA	* REFER TO SHEET A-3.1 FOR IMAGE SPECIFIC FIXTURES			
P-3	URINAL - ADA	* REFER TO SHEET A-3.1 FOR IMAGE SPECIFIC FIXTURES			
P-4	LAVATORIES	* REFER TO SHEET A-3.1 FOR IMAGE SPECIFIC FIXTURES			
P-5	MOP SINK	CAST IN PLACE			CHICAGO #897-CP -OR- AMERICAN STANDARD #8344.111 -OR- KOHLER #8907
P-6	WATER HEATER	RINNAI OR RINNAI	C1991 RUR981	REU-KBD3237FFUDC-US REU-KBP3237FFUD-US	
P-7	TEMPERING VALVE	WATTS	N170L-M2		
P-8	FLOOR SINK	JOSAM J.R. SMITH ZURN	49300 (49320A AT 3-COMP SINK) 3100 (3111 AT 3-COMP SINK) 21910 (21900 AT 3-COMP SINK)		
P-9	FLOOR DRAIN	JOSAM J.R. SMITH ZURN	30000-50 2010-AP Z-415B		

NOTES:  
 1. COMPARABLE FIXTURES BY AMERICAN STANDARD, ELIER, KOHLER ACCEPTABLE.  
 2. TOILET SEATS TO BE CHURCH 9500SSC, KOHLER K-467, OLSONITE, ETC OR EQUAL.  
 3. IN SINGLE USE RESTROOMS ALL FIXTURES MUST BE ADA COMPLIANT.  
 \*\* PROVIDE ASSE 1070 COMPLAINT THERMOSTATIC MIXING VALVES ON ALL LAVATORIES TO 109" F



- NOTES:**
- PLUMBER TO COORDINATE VENT STACKS WITH OUTSIDE AIR INTAKES OF A/C UNITS AND SUPPLY FANS & MAINTAIN AT LEAST 10'-0" MIN. CLEARANCE OR AS PER LOCAL CODE REQUIREMENTS. FLAT VENTS ARE NOT ALLOWED.
  - INCREASE V.T.R.'S TO SIZE REQUIRED BY LOCAL CODES AND CONDITIONS AS REQUIRED FOR FROST ENCLOSURE. FLAT VENTS ARE NOT ALLOWED.
  - RUN SYRUP LINES FROM SODA FACTORY TO DRINK DISPENSER ABOVE CEILING.
  - CAST IRON PIPE MAY BE USED UNDER SLAB IN LIEU OF PVC ONLY IF REQUIRED BY CODE.
  - PROVIDE CONDENSATE LINES FROM A/C UNITS ABOVE CEILING ACCORDING TO LOCAL CODE REQUIREMENTS.
  - RESAL FLOOR DRAINS ACCORDING TO LOCAL REQUIREMENTS.
  - SAFEWASTE PIPING ABOVE AND ALONG FLOOR SHALL BE SIZED IN ACCORDANCE WITH LOCAL CODE REQUIREMENTS.
  - COORDINATE SAFEWASTE LINE CONNECTIONS WITH EQUIPMENT ROUGH-IN.
  - P.V.C. (SCHEDULE 40) PIPE CAN BE USED FOR VENTS AND WASTE ONLY IF APPROVED BY LOCAL BUILDING CODES. SEE SPECS FOR ADD'L INFO.
  - SEE FOUNDATION PLAN FOR EXACT LOCATION OF FLOOR DRAINS AND FLOOR SINKS.
  - IF WALK-IN-BOX CONDENSATE LINE IS REQUIRED BY LOCAL CODE, PLUMBING CONTRACTOR SHALL FURNISH AND INSTALL 1/4" CONDENSATE LINE, AND SEAL AROUND ALL PENETRATIONS THROUGH THE WALK-IN-BOX.
  - HEAT TAPE IS PROVIDED BY WALK-IN-BOX MANUFACTURER AND INSTALLED BY ELECTRICAL CONTRACTOR. IT IS TO BE SELF-LIMITING TYPE, "THERMAX" OR EQUAL.



**Order Plans @**

CHECKED BY: \_\_\_\_\_
   
 DRAWN BY: \_\_\_\_\_
   
 NO. DATE \_\_\_\_\_
   
 PREMIER KINGS, INC.
   
 5529 CARMICHAEL ROAD
   
 MONTGOMERY, ALABAMA 36117
   
 PHONE: (205) 322-1778
   
 FAX: (205) 322-1778
   
 email: info@hpluh.com
   
 www.hpluh.com
   
 LINDSEY@BCKALABAMA.COM
   
 2126 Morris Avenue
   
 Birmingham, AL 35203
   
 Phone: (205) 322-1778
   
 Fax: (205) 322-1778
   
 email: info@hpluh.com
   
 www.hpluh.com
   
**hendson huckestein architects, PC**
  
 architecture • planning • interior design
   
  
 PROJECT #1802602
   
 NOVEMBER 2018 DESIGN RELEASE
   
**BURGER KING RESTAURANT**
  
 STREET ADDRESS
   
 HARPERVILLE, AL
   
 SANITARY AND GREASY WASTE PLAN & RISER
   
**P-1**