

| DRAWING INFORMATION |                  |    |
|---------------------|------------------|----|
| DATE                | DESCRIPTION      | BY |
| 01-07-19            | FOR CONSTRUCTION | KM |
|                     |                  |    |
|                     |                  |    |
|                     |                  |    |
|                     |                  |    |

**NCA**  
CONSULTANTS / GROUP  
4585 140TH AVE. NORTH, SUITE #1001  
CLEARWATER, FLORIDA  
PHONE: (877) 530-0078  
CALL NCA MARKETING FOR PRICING  
NCA JOB# 19-107

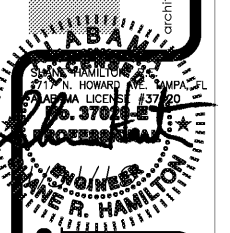
| NO. | DATE | REVISION |
|-----|------|----------|
|     |      |          |
|     |      |          |
|     |      |          |
|     |      |          |



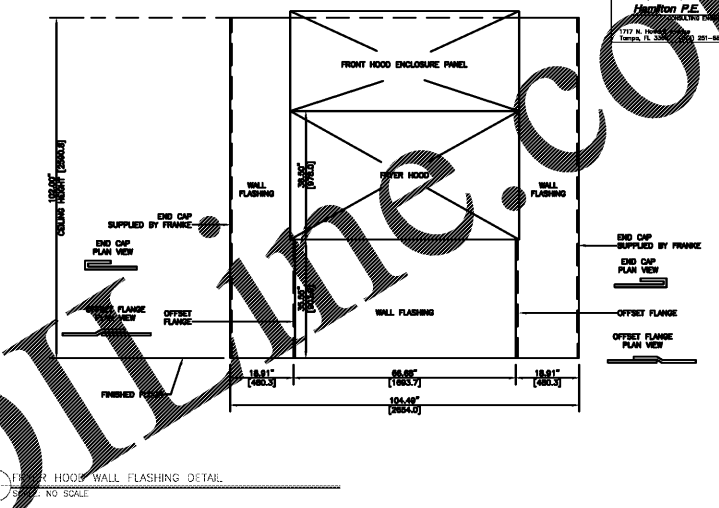
PREMIER KINGS, INC.  
5525 CARMICHAEL ROAD  
MONTOMOERY, ALABAMA 36117  
PHONE: (205) 378-1778  
EMAIL: info@pkinc.com  
LINDSEY@GKALABAMA.COM

2176A North Avenue  
Birmingham, AL 35203  
Phone: (205) 322-1751  
Fax: (205) 322-1778  
email: info@huckstein.com  
www.huckstein.com

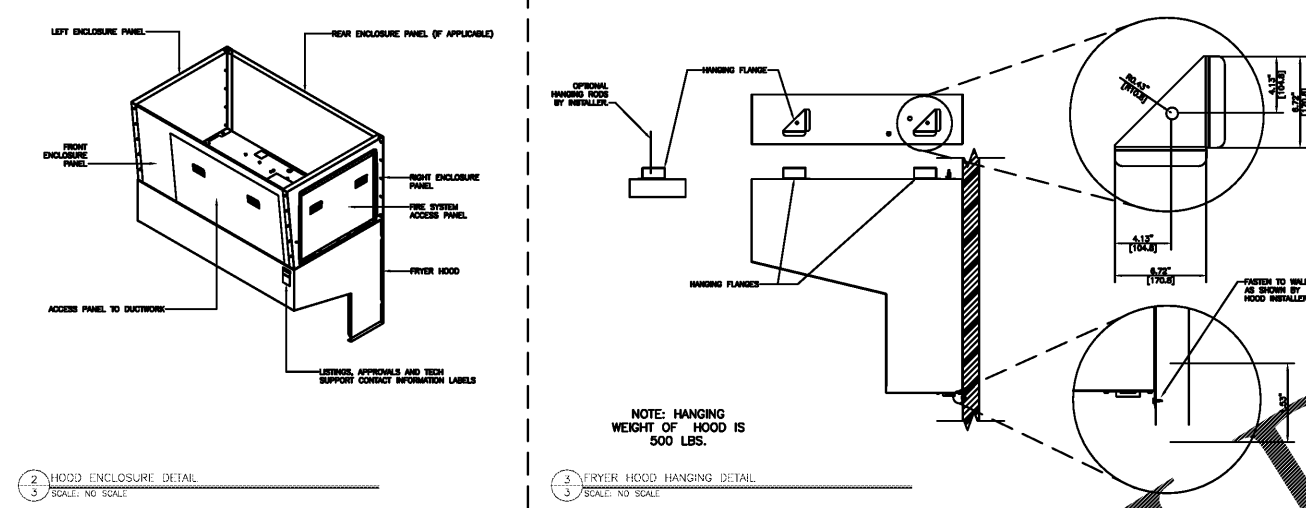
huckstein  
architects, pc  
architecture • planning • interior design



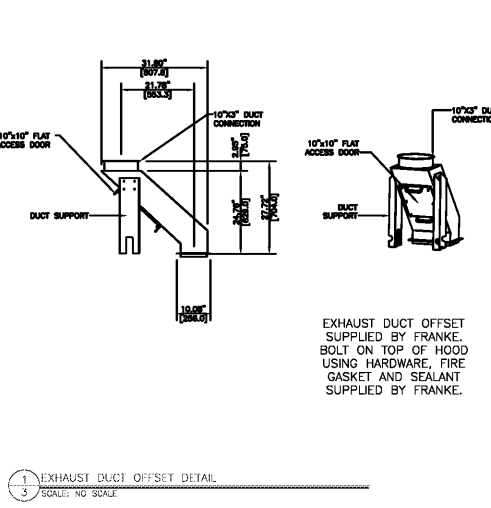
PROJECT #: 18026.02  
RCC-60 FALL 20/20 MAGE NOVEMBER 2018 DESIGN RELEASE  
**BURGER KING RESTAURANT**  
STREET ADDRESS  
HARPERSVILLE, AL  
HOOD DETAILS



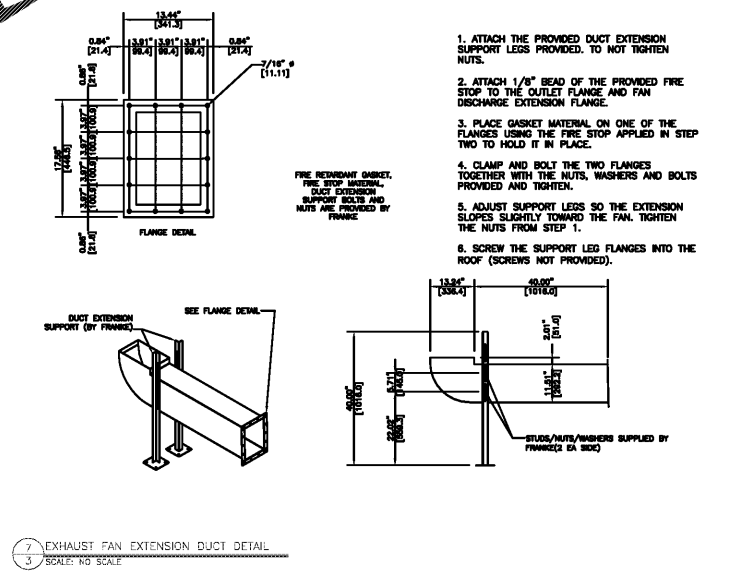
4 FRYER HOOD WALL FLASHING DETAIL  
SCALE: NO SCALE



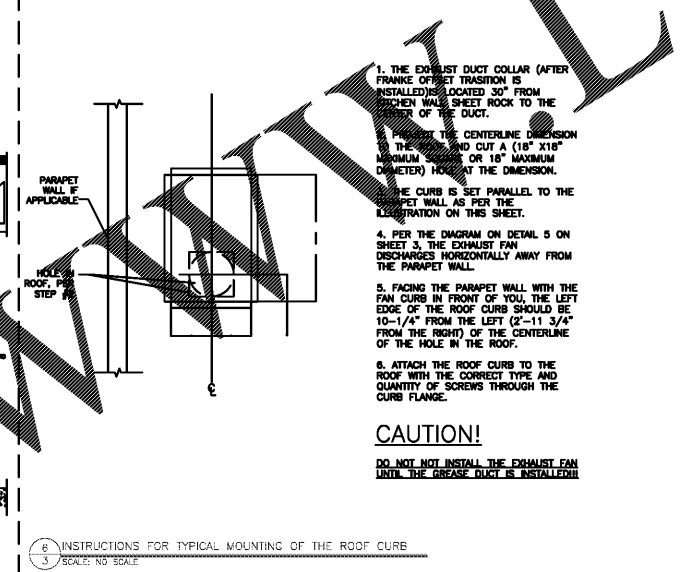
3 FRYER HOOD HANGING DETAIL  
SCALE: NO SCALE



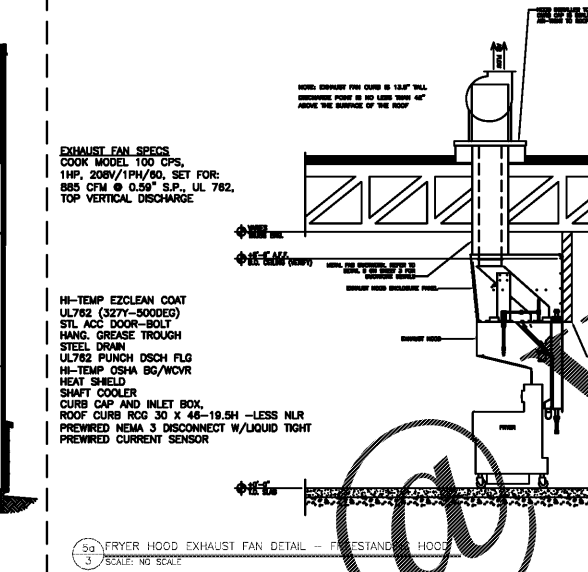
1 EXHAUST DUCT OFFSET DETAIL  
SCALE: NO SCALE



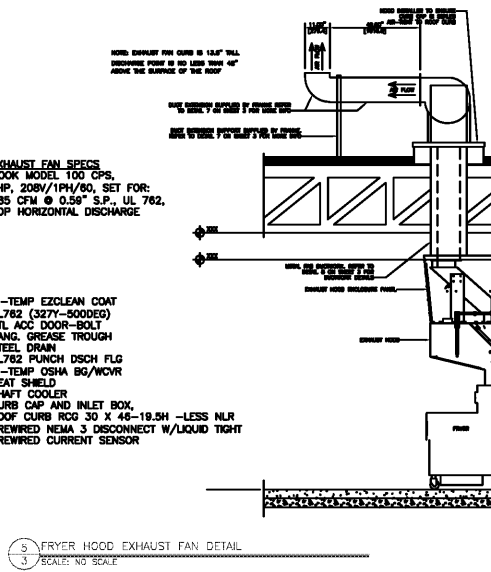
7 EXHAUST FAN EXTENSION DUCT DETAIL  
SCALE: NO SCALE



6 INSTRUCTIONS FOR TYPICAL MOUNTING OF THE ROOF CURB  
SCALE: NO SCALE



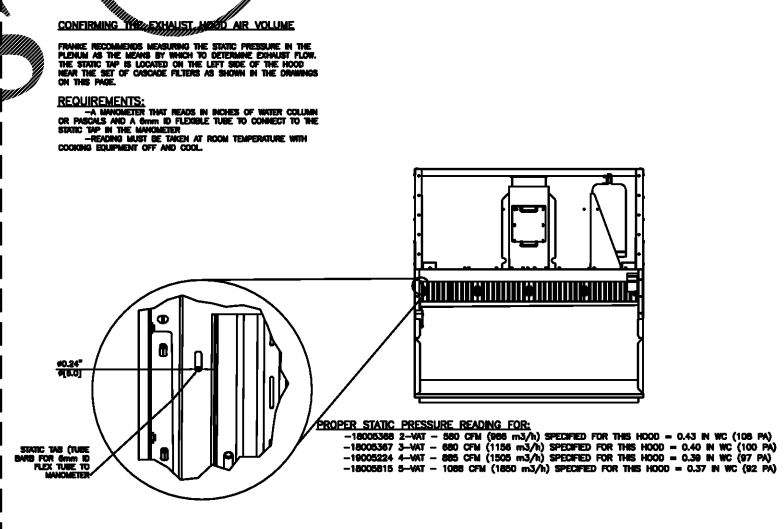
5a FRYER HOOD EXHAUST FAN DETAIL - PRESTANDARD HOOD  
SCALE: NO SCALE



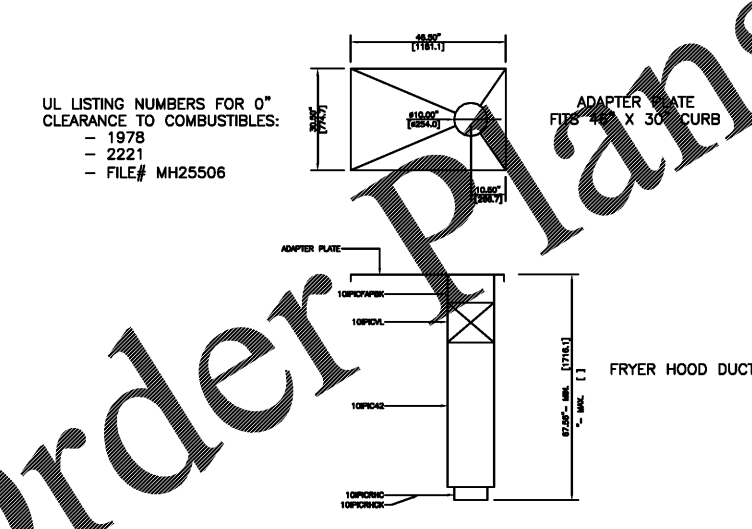
5 FRYER HOOD EXHAUST FAN DETAIL  
SCALE: NO SCALE

| IF:                         | THEN:       |                                     |                      |            |                                  | NOTES                                       |
|-----------------------------|-------------|-------------------------------------|----------------------|------------|----------------------------------|---|
|                             | EXHAUST FAN | ELECTRIC POWER TO COOKING EQUIPMENT | MECHANICAL GAS VALVE | HVAC UNITS | MAKE-UP AIR UNITS (IF AVAILABLE) |   |
| FAN SWITCH IS TURNED ON     | ON          | ON                                  | ON                   | ON         | ON                               | HVAC MUST BE ON FOR EXHAUST FAN TO OPERATE  |
| FAN SWITCH IS TURNED OFF    | OFF         | OFF                                 | ON                   | ON         | OFF                              |   |
| FIRE SUPPRESSION DISCHARGES | ON          | OFF                                 | OFF                  | OFF        | OFF                              |   |
| FAN BELT IS SLIPPING        | ON          | OFF                                 | ON                   | ON         | OFF                              | POWER TO COOKING EQ. OFF VIA CURRENT SENSOR |
| FAN BELT IS BROKEN          | ON          | OFF                                 | ON                   | ON         | OFF                              | POWER TO COOKING EQ. OFF VIA CURRENT SENSOR |
| LOSS OF POWER               | OFF         | OFF                                 | ON                   | OFF        | OFF                              |   |
| HVAC IS SWITCHED OFF        | OFF         | OFF                                 | ON                   | OFF        | OFF                              |   |

10 CONTROL MATRIX  
SCALE: NO SCALE



9 EXHAUST VOLUME CONFIRMATION  
SCALE: NO SCALE



METAL-FAB DUCT DETAIL  
SCALE: NO SCALE

Order Plans

UL LISTING NUMBERS FOR 0\"/>

- 1978
- 2221
- FILE# MH25506

ADAPTER PLATE  
FITS 4\"/>

FRYER HOOD DUCT

© Copyright 2018- Drawings, specifications, notes, database, computer files, field data, and reports as instruments of service prepared by the Design of Record. As instruments of services, these items remain the property of the Design of Record, who shall retain all statutory and other reserved rights, including the copyright thereto. Any use, reproduction or changes to these documents without written consent of NCA Consultants is a violation of federal copyright laws.