

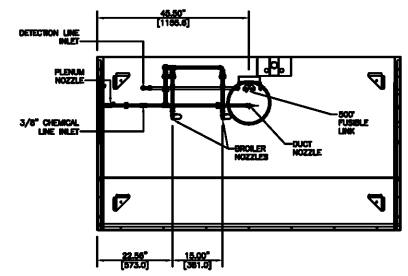
DRAWING INFORMATION		
DATE	DESCRIPTION	BY
01-07-19	FOR CONSTRUCTION	KM

**N-C-A**  
CONSULTANTS / GROUP  
4585 140TH AVE. NORTH, SUITE #1001  
CLEARWATER, FLORIDA  
PHONE: (877) 530-0078  
CALL NCA MARKETING FOR PRICING  
NCA JOB# 19-107

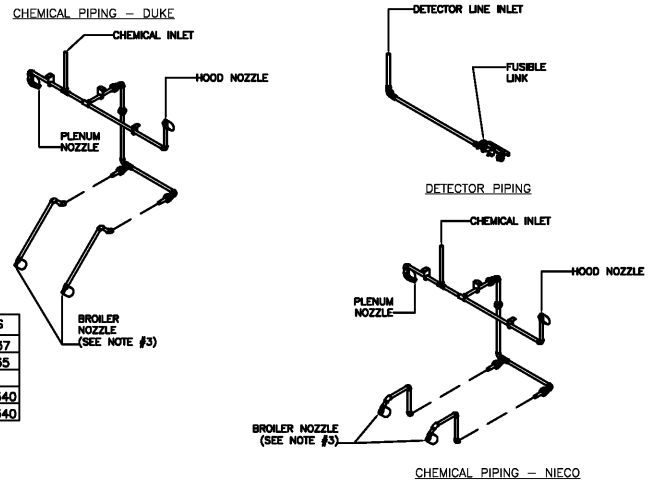
AMEREX PIPING PART NUMBERS	
DUCT NOZZLE	PART #16416
PLENUM NOZZLE	PART #11982
FUSIBLE LINK	PART #16446
DUKE NOZZLES	PART #13729
NIECO NOZZLES	PART #13729

NOTES:  
1. ALL FUSIBLE LINKS ARE 500T  
2. ALL BLOW OFF CAPS ARE HIGH TEMP METAL PART #12504  
3. PIPE DROPS, NOZZLES AND SWIVEL ELBOWS FURNISHED AND INSTALLED BY THE FIRE SYSTEM CONTRACTOR.

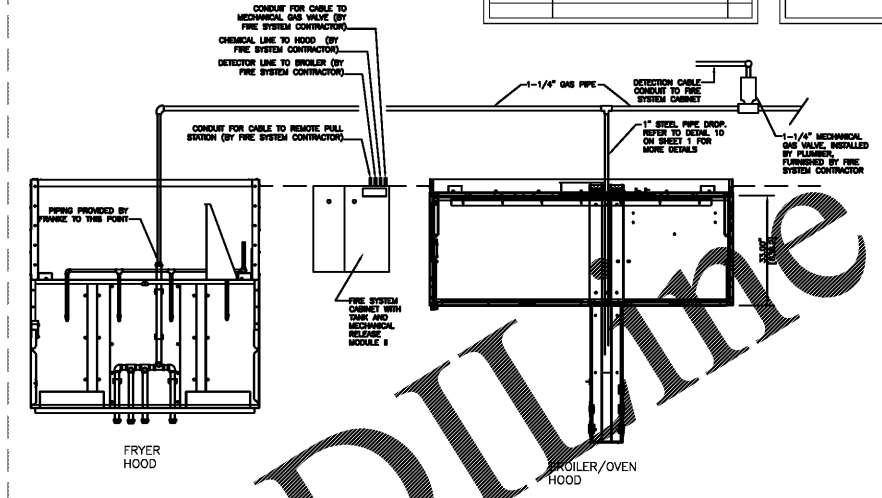
ANSUL PIPING PART NUMBERS	
DUCT NOZZLE	PART # (2W) 419337
PLENUM NOZZLE	PART # (1N) 419335
FUSIBLE LINK	PART #56816
DUKE NOZZLES	PART # (245) 419340
NIECO NOZZLES	PART # (245) 319340



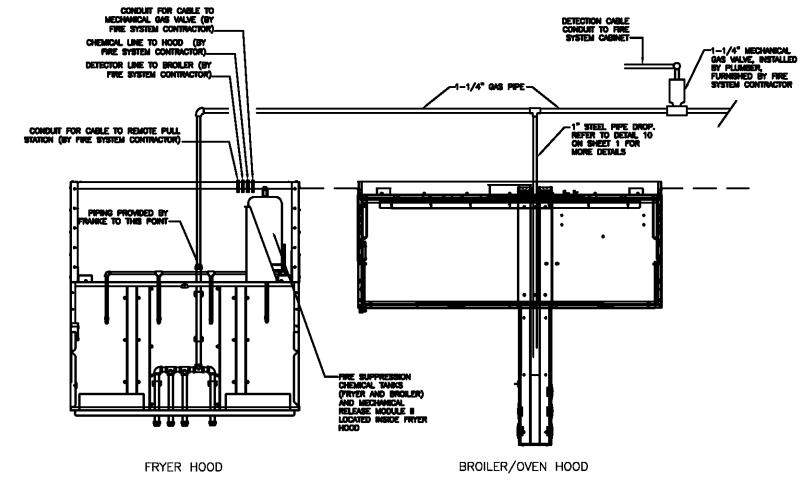
1 FIRE SUPPRESSION PIPING DETAIL  
SCALE: NO SCALE



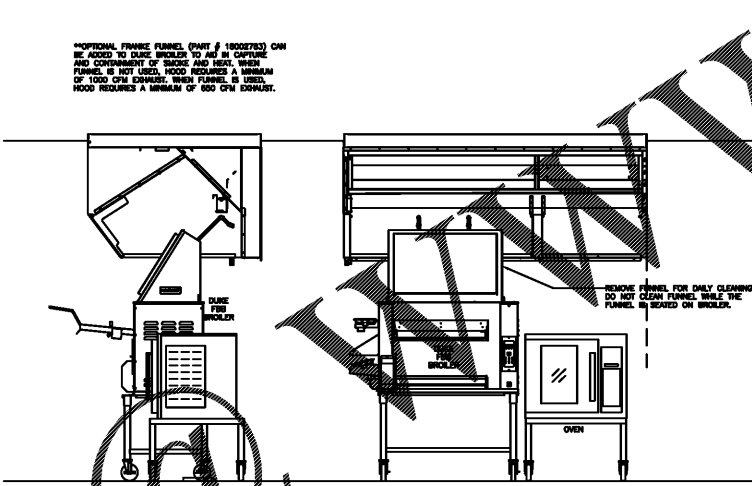
2 ANSUL/AMEREX FIRE SUPPRESSION ISOMETRIC DETAIL  
SCALE: NO SCALE



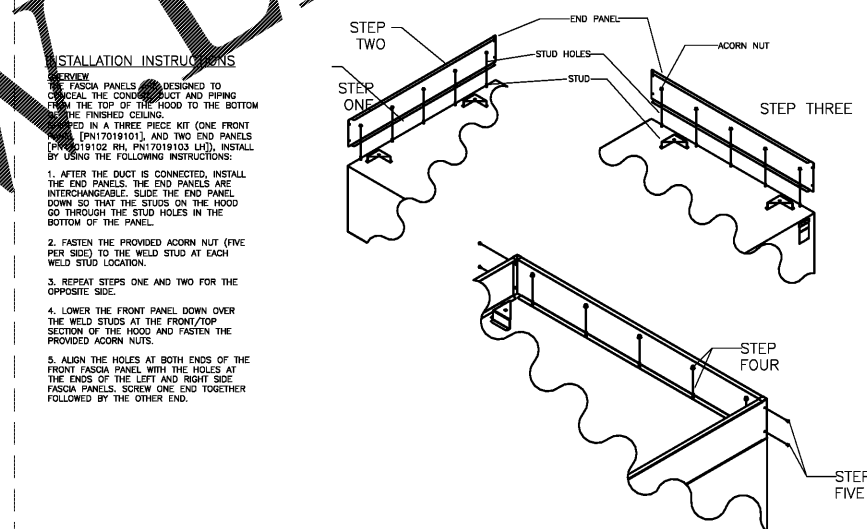
3 TYPICAL WALL MOUNTED FIRE SYSTEM USING ONE SYSTEM FOR TWO HOODS  
SCALE: NO SCALE



4 TYPICAL WALL MOUNTED FIRE SYSTEM USING ONE SYSTEM FOR TWO HOODS  
SCALE: NO SCALE

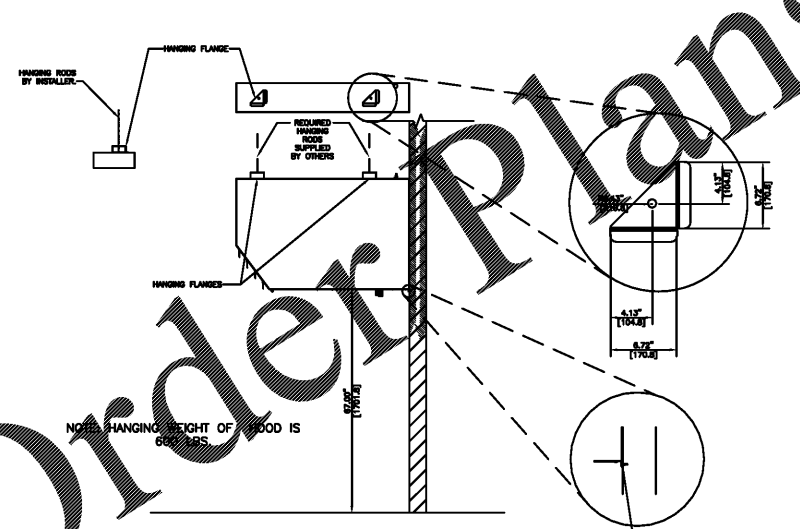


5 FRANKIE FUNNEL DETAIL  
SCALE: NO SCALE

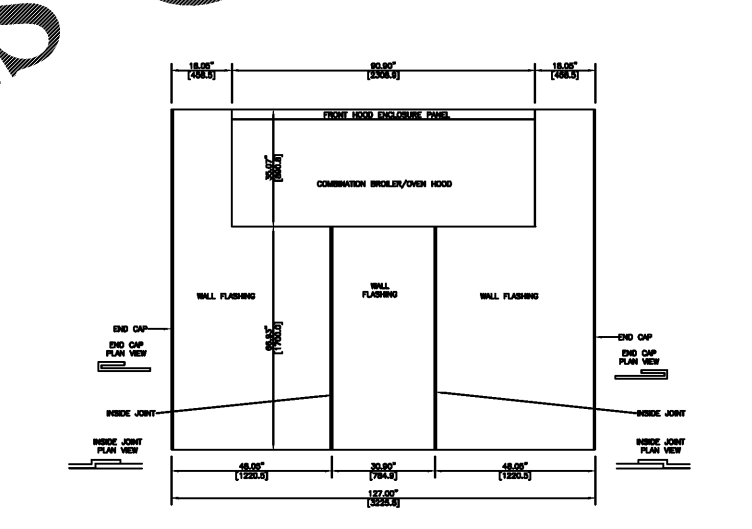


6 FASCIA PANEL INSTALLATION DETAIL  
SCALE: NO SCALE

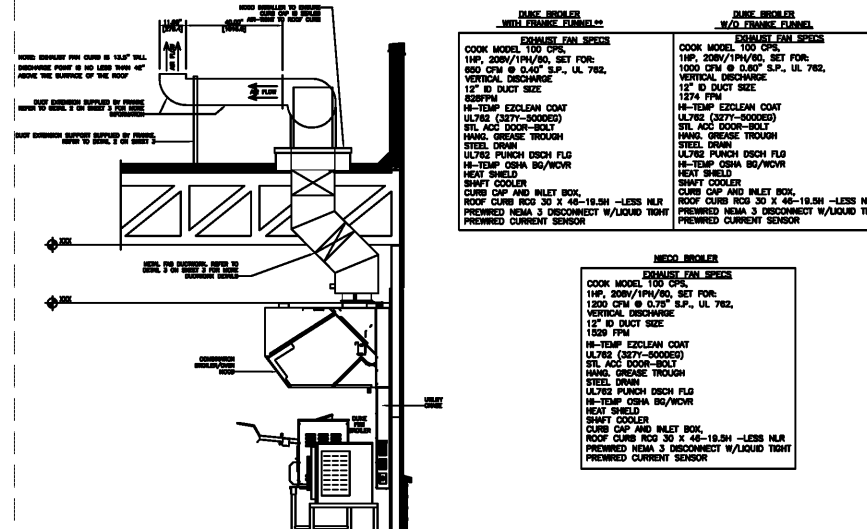
INSTALLATION INSTRUCTIONS  
OVERVIEW  
THE FASCIA PANELS ARE DESIGNED TO CONCEAL THE CONDUIT AND PIPING FROM THE TOP OF THE HOOD TO THE BOTTOM OF THE FINISHED CEILING.  
THE KIT INCLUDES ONE FRONT PANEL (PN17019101), AND TWO END PANELS (PN17019102 RH, PN17019103 LH), INSTALL BY USING THE FOLLOWING INSTRUCTIONS:  
1. AFTER THE DUCT IS CONNECTED, INSTALL THE END PANELS. THE END PANELS ARE INTERCHANGEABLE. SLIDE THE END PANEL DOWN SO THAT THE STUDS ON THE HOOD GO THROUGH THE STUD HOLES IN THE BOTTOM OF THE PANEL.  
2. FASTEN THE PROVIDED ACORN NUT (FIVE PER SIDE) TO THE WELD STUD AT EACH WELD STUD LOCATION.  
3. REPEAT STEPS ONE AND TWO FOR THE OPPOSITE SIDE.  
4. LOWER THE FRONT PANEL DOWN OVER THE WELD STUDS AT THE FRONT/TOP SECTION OF THE HOOD AND FASTEN THE PROVIDED ACORN NUTS.  
5. ALIGN THE HOLES AT BOTH ENDS OF THE FRONT FASCIA PANEL WITH THE HOLES AT THE ENDS OF THE LEFT AND RIGHT SIDE FASCIA PANELS. SCREW ONE END TOGETHER FOLLOWED BY THE OTHER END.



7 HANGING DETAIL  
SCALE: NO SCALE



8 WALL FLASHING DETAIL  
SCALE: NO SCALE



9 EXHAUST FAN DETAIL  
SCALE: NO SCALE

DUKE BROILER W/O FRANKIE FUNNEL	DUKE BROILER W/O FRANKIE FUNNEL
COOK MODEL 100 CFS 1HP, 208V/1PH/60, SET FOR: 600 CFM @ 0.4\"/>	COOK MODEL 100 CFS 1HP, 208V/1PH/60, SET FOR: 1000 CFM @ 0.4\"/>
12\"/>	12\"/>
1574 FPM	1574 FPM
UL-TEMP EXHAUST COAT UL-750 (27Y-5000SD)	UL-TEMP EXHAUST COAT UL-750 (27Y-5000SD)
STL ACC DOOR-SOLT	STL ACC DOOR-SOLT
WAVE CRASH TROUGH STEEL DRAIN	WAVE CRASH TROUGH STEEL DRAIN
ULTRA PUNCH DISH FLD	ULTRA PUNCH DISH FLD
H-TEMP OSHA BO/WCR	H-TEMP OSHA BO/WCR
HEAT SHIELD SHAFT COOLER	HEAT SHIELD SHAFT COOLER
CURB CAP AND INLET BOX ROOF CURB RCD 30 X 46-19.5H -LESS NLR	CURB CAP AND INLET BOX ROOF CURB RCD 30 X 46-19.5H -LESS NLR
PREWIRED NEMA 3 DISCONNECT W/LIQUID TIGHT PREWIRED CURRENT SENSOR	PREWIRED NEMA 3 DISCONNECT W/LIQUID TIGHT PREWIRED CURRENT SENSOR

NIECO BROILER FRANKIE FUNNEL
COOK MODEL 100 CFS 1HP, 208V/1PH/60, SET FOR: 1200 CFM @ 0.37\"/>
12\"/>
1509 FPM
H-TEMP EXHAUST COAT UL-750 (27Y-5000SD)
STL ACC DOOR-SOLT
WAVE CRASH TROUGH STEEL DRAIN
ULTRA PUNCH DISH FLD
H-TEMP OSHA BO/WCR
HEAT SHIELD SHAFT COOLER
CURB CAP AND INLET BOX ROOF CURB RCD 30 X 46-19.5H -LESS NLR
PREWIRED NEMA 3 DISCONNECT W/LIQUID TIGHT PREWIRED CURRENT SENSOR

Order Plans

© Copyright 2018-2020 NCA Consultants, Inc. All rights reserved. Specifications, notes, database, computer files, field data, and reports as instruments of service prepared by the Design of Record. As instruments of service, these items remain the property of the Design of Record, who shall retain all statutory and other reserved rights, including the copyright thereto. Any use, reproduction or changes to these documents without written consent of NCA Consultants is a violation of federal copyright laws.

Checked By: \_\_\_\_\_  
Drawn By: \_\_\_\_\_  
Date: \_\_\_\_\_

**PREMIER KINGS, INC.**  
5525 CARMICHAEL ROAD  
MONTOMOERY, ALABAMA 36117  
PHONE: (205) 378-1778  
EMAIL: info@pkinc.com  
WWW.PKINC.COM

**herndon huckelstein architects, PC**  
2124 North Avenue  
Birmingham, AL 35203  
Phone: (205) 322-7511  
Fax: (205) 322-1778  
email: info@hhpc.com  
www.hhpc.com

**ALABAMA**  
REGISTERED PROFESSIONAL ENGINEER  
WAYNE R. HAMILTON  
NO. 13720

PROJECT #: 18026.02  
RCC-60 FALL 20/20 MAGE NOVEMBER 2018 DESIGN RELEASE  
**BURGER KING RESTAURANT**  
STREET ADDRESS  
HARPERSVILLE, AL

**HOOD DETAILS**

M-5