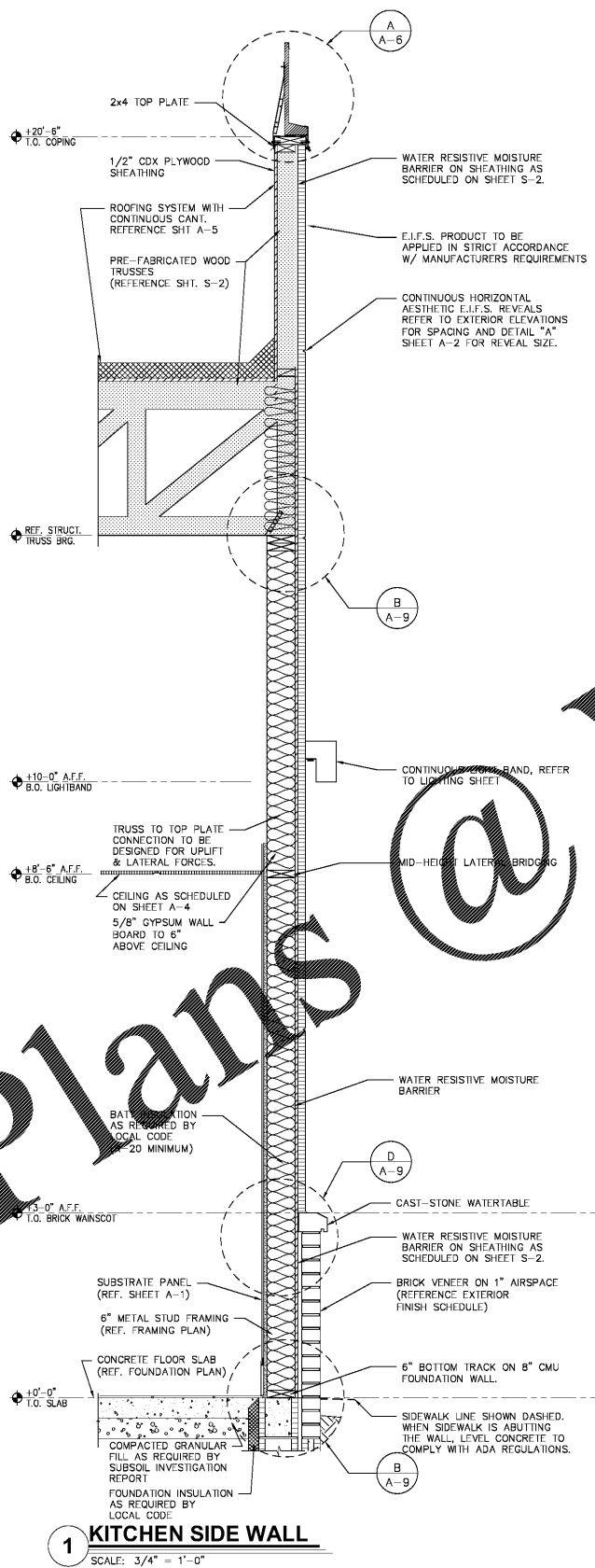
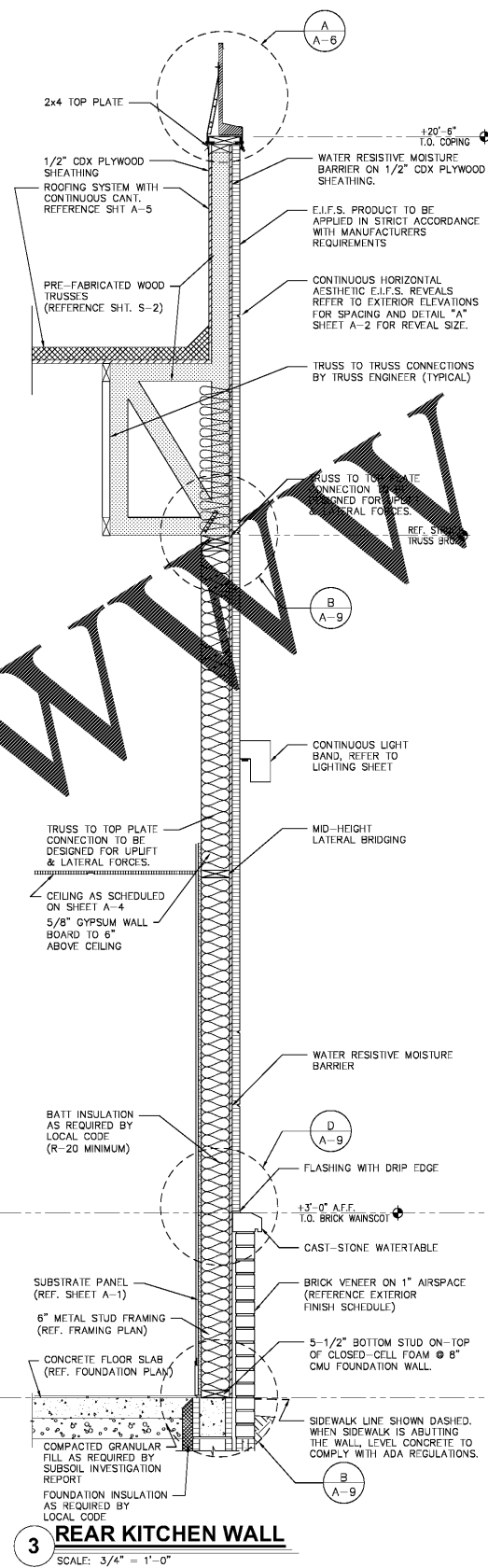


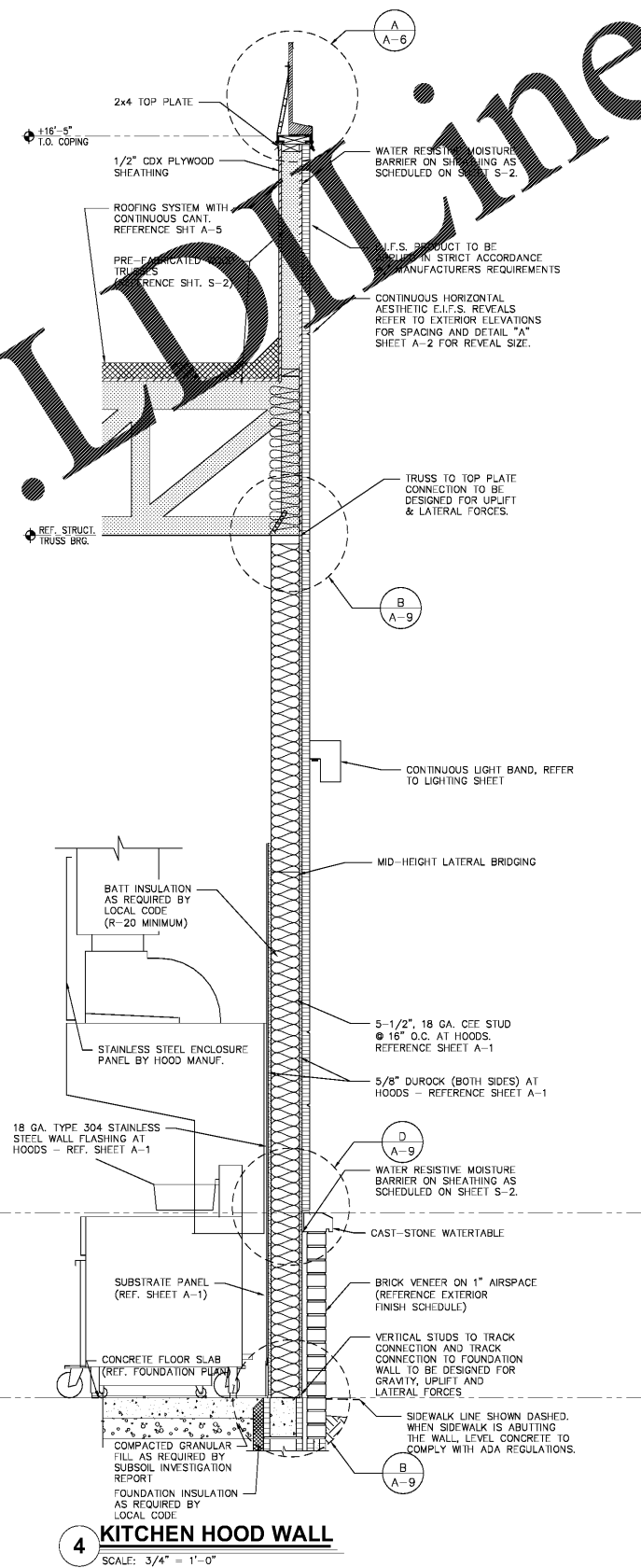
A PARAPET LIGHT BAND DETAIL
SCALE: 3" = 1'-0"



1 KITCHEN SIDE WALL
SCALE: 3/4" = 1'-0"



3 REAR KITCHEN WALL
SCALE: 3/4" = 1'-0"



4 KITCHEN HOOD WALL
SCALE: 3/4" = 1'-0"

Order Plans

WWW.LDLINE.COM



PREMIER KINGS, INC.
5529 CAMDEN AVE. ROAD
MONTGOMERY, ALABAMA 36117
P.O. BOX 1000
LDLINE@BKBALABAMA.COM

2126 Morris Avenue
Birmingham, AL 35203
Phone: (205) 329-1751
Fax: (205) 329-1751
www.hendonhuckestein.com

hendon huckestein architects, PC
architecture • planning • interior design



WALL SECTIONS AND DETAILS