

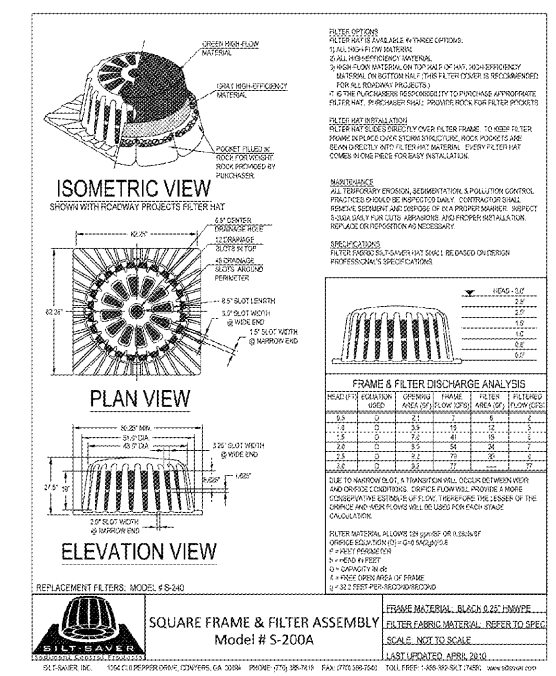
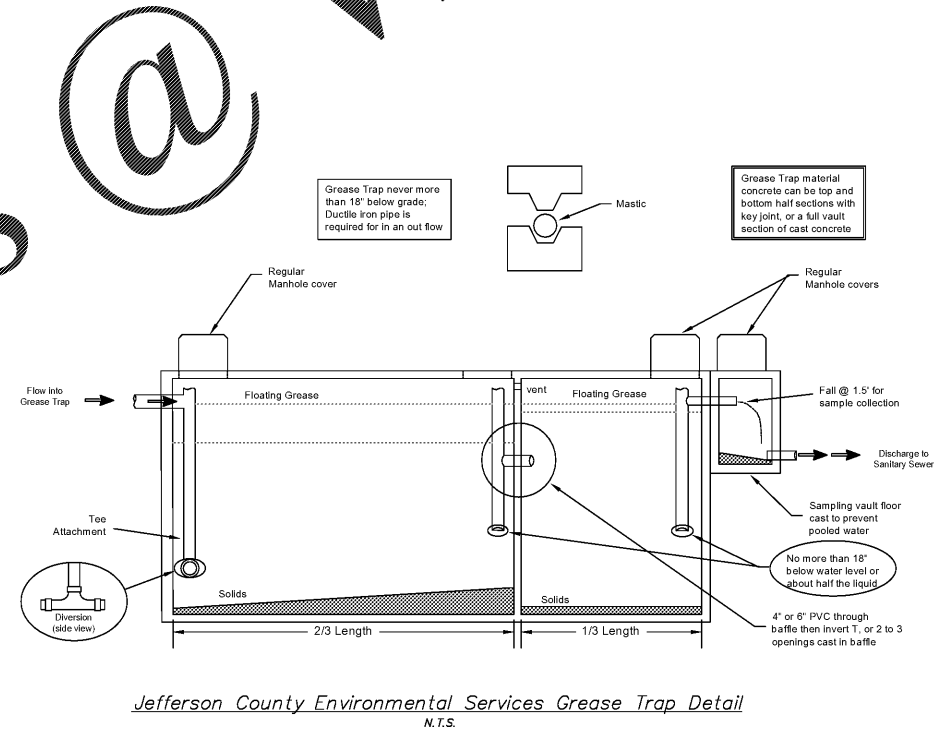
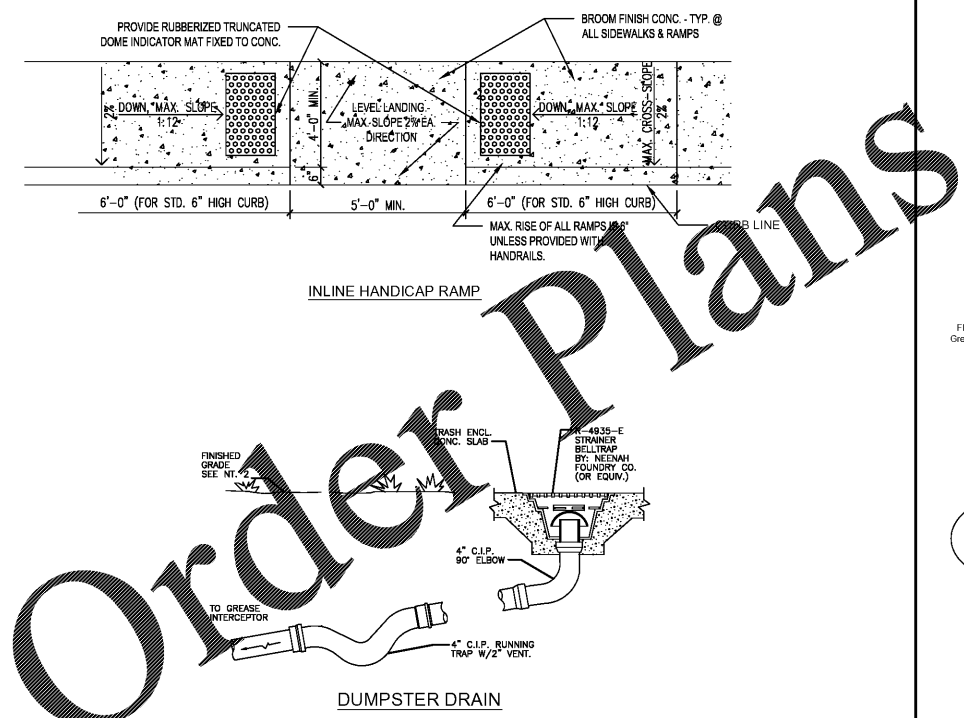
AE
Pressnell
 Engineering
 1703 McConnell Lane
 Mount Olive, AL 35087
 P: 205.876.4307
 F: 205.466.2507

REGISTERED PROFESSIONAL ENGINEER
 STATE OF ALABAMA
 LICENSE # 12419

PROJECT # 18026.02
 DATE: 1/24/19
 CHECKED BY: B.S.P.
 DRAWN BY: B.S.P.
 NO. DATE

BURGER KING

PREMIER KINGS, INC.
 5529 CARMICHAEL ROAD
 MONTGOMERY, ALABAMA 36117
 PHONE: 404.241.1111
 LINES@BKALABAMA.COM



2126 Morris Avenue
 Birmingham, AL 35203
 Phone (205) 322-1751
 Fax (205) 322-1778
 Email info@hendonhuckestein.com
 www.hendonhuckestein.com

hendon huckestein architects PC
 architecture . planning . interio design

Construction Details

PROJECT # 18026.02
 DATE: 1/24/19
 CHECKED BY: B.S.P.
 DRAWN BY: B.S.P.
 NO. DATE

BURGER KING RESTAURANT

STREET ADDRESS
 HARPERSVILLE, AL