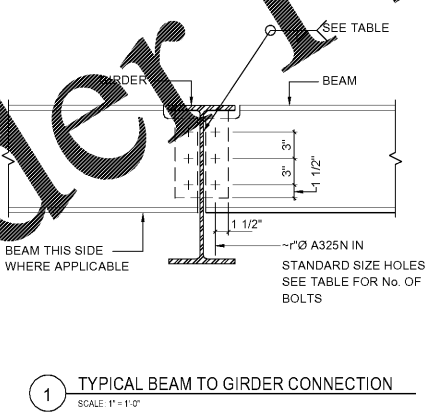
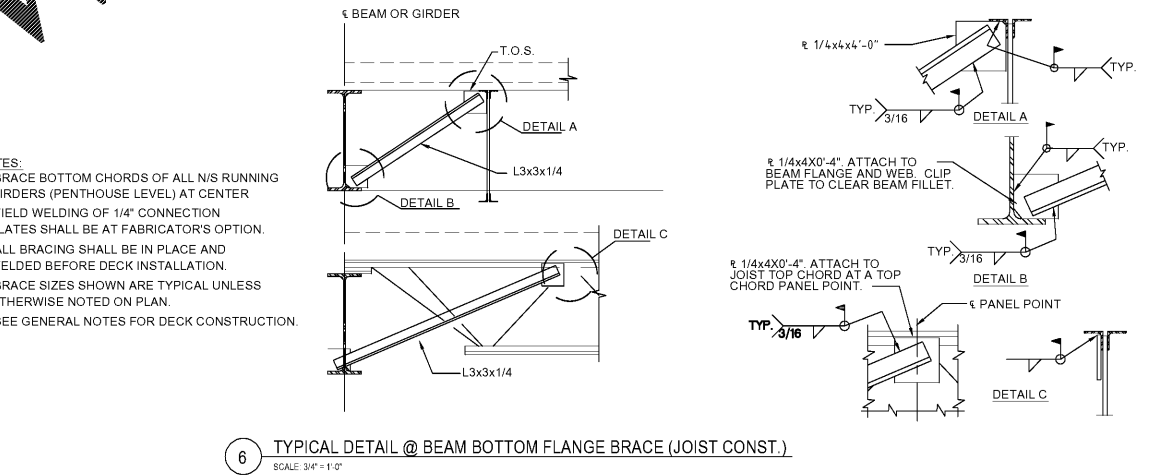
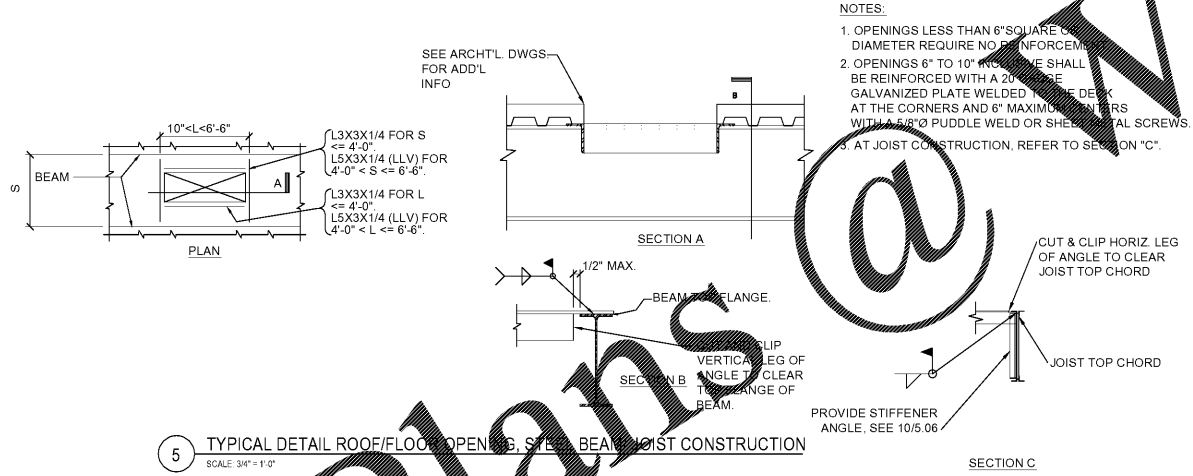
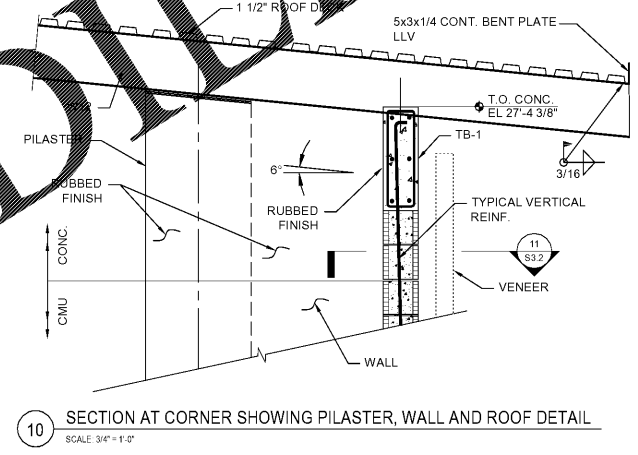
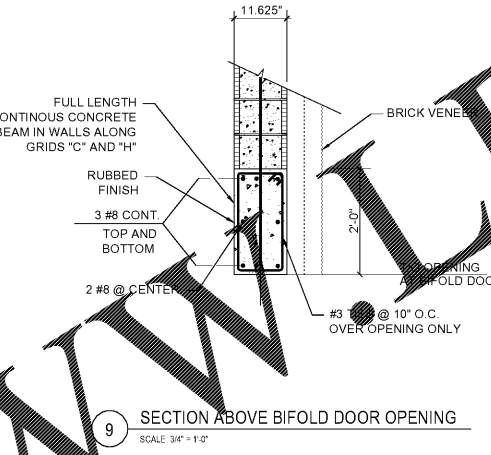
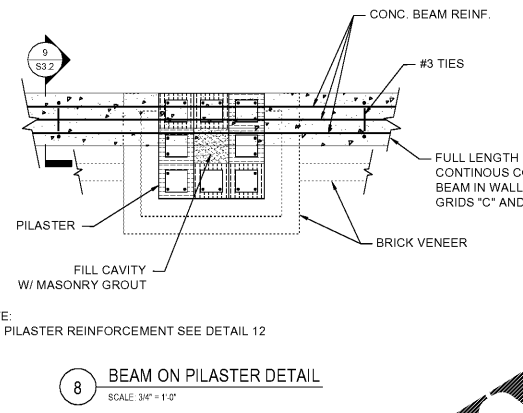
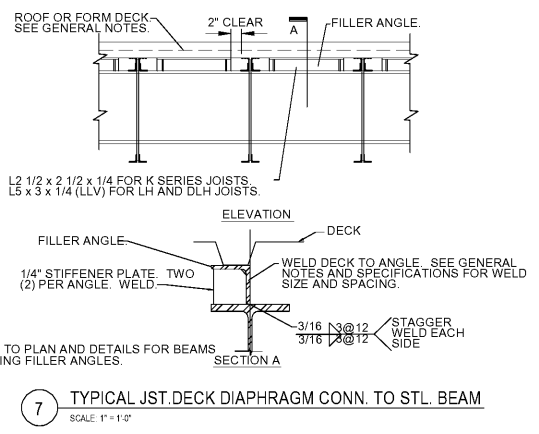
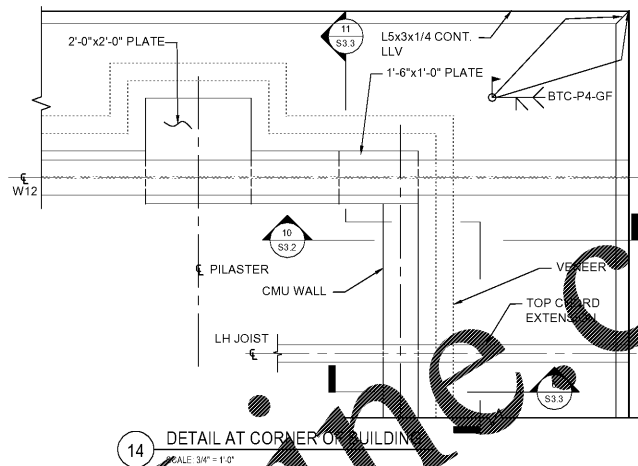
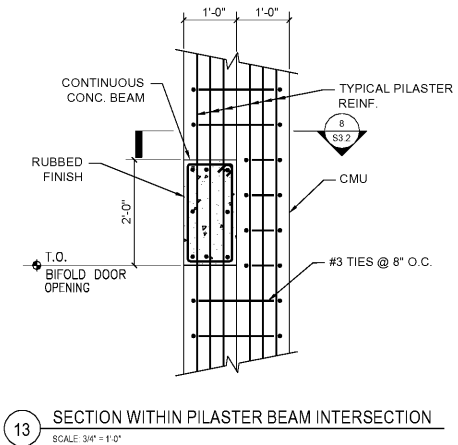
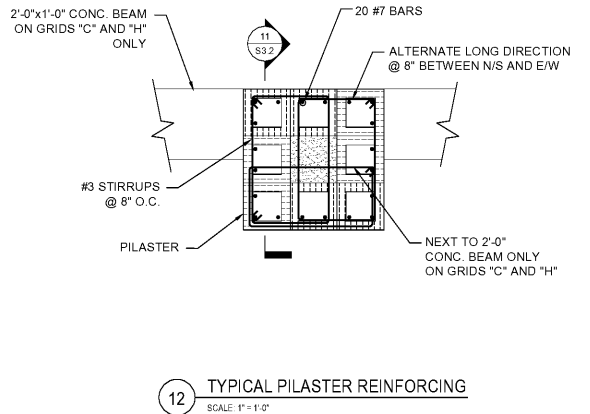
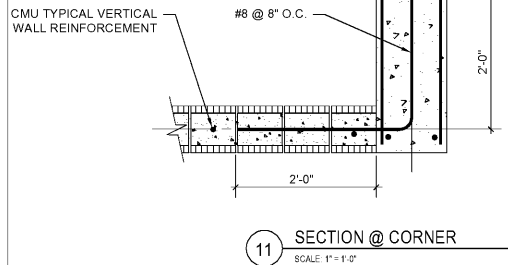
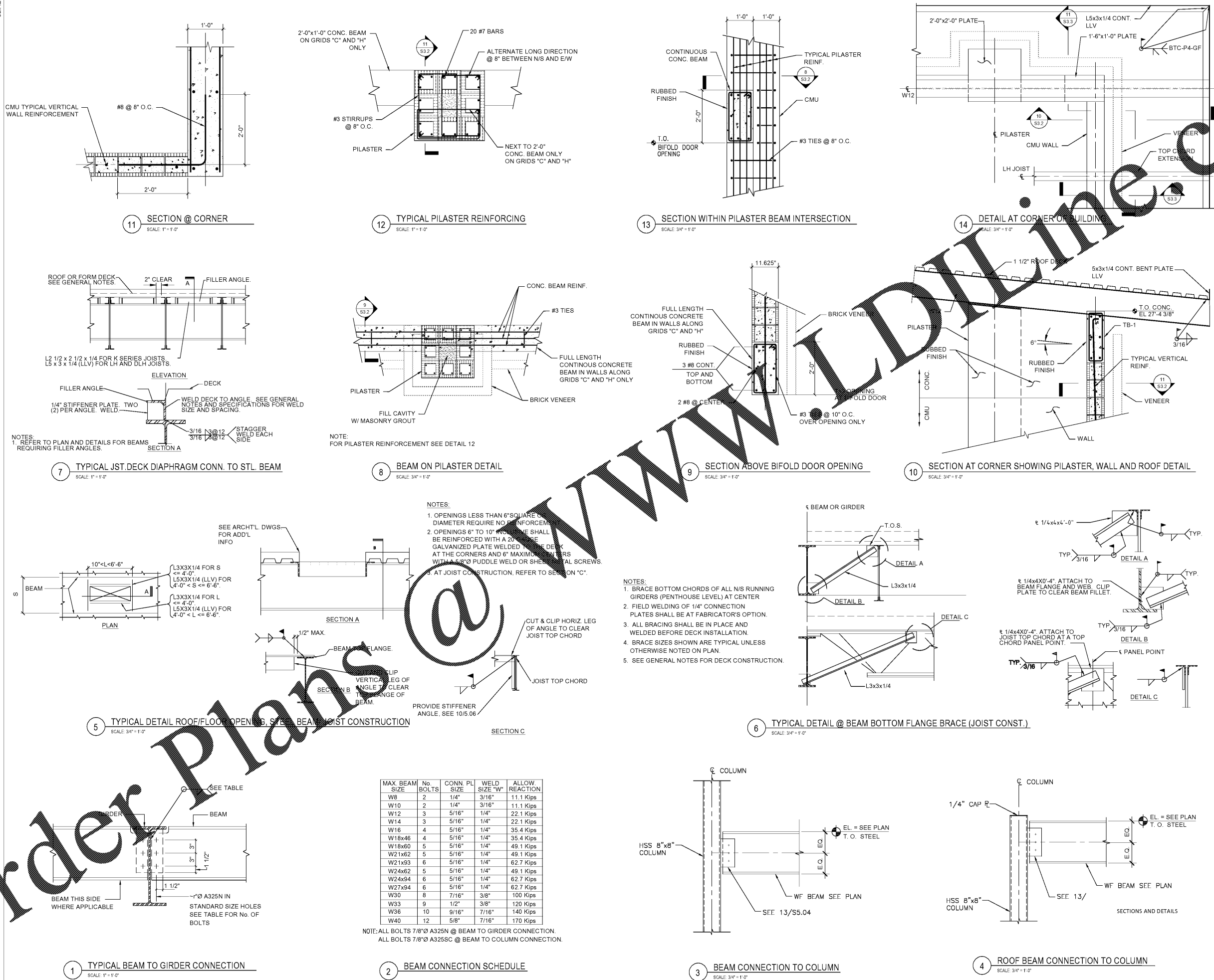


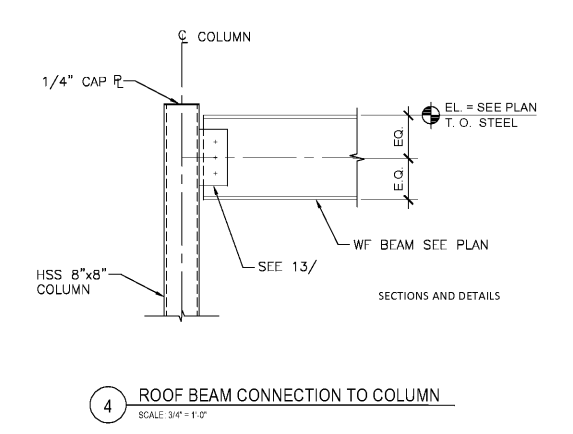
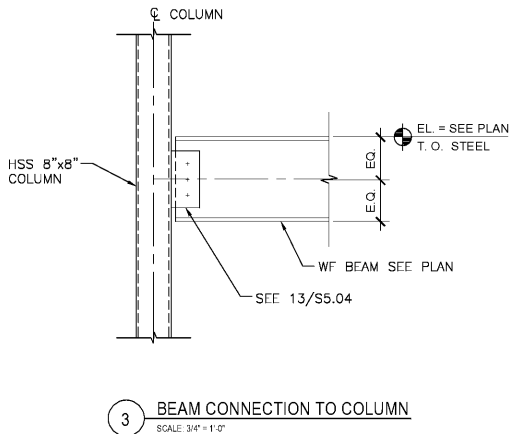
30x42
 With these dimensions on these drawings, the contractor shall have precedence over casted dimensions. Contractor shall verify and be responsible for all dimensions and conditions on the job. Harris + Smith Architecture must be notified immediately in writing of any variation from the dimensions and conditions shown on these drawings. Field verify all conditions prior to laying out or fabricating associated work. If any deviation from the dimensions and conditions shown on these drawings is noted, the architect's attention shall be directed to the architect's office and reviewed by the architect prior to proceeding with the work. The architect's office shall be responsible for reviewing and approving any form or manner whatsoever, nor are they to be assigned to a third party without first obtaining the written permission and consent of Harris + Smith Architecture, Inc. In the event of unauthorized use of these documents by a third party, the third party shall hold Harris + Smith Architecture harmless and agrees to indemnify Harris + Smith Architecture, Inc. from and against all claims, damages, costs, collection fees and other costs.



2 BEAM CONNECTION SCHEDULE

MAX BEAM SIZE	No. BOLTS	CONN. PL. SIZE	WELD SIZE "W"	ALLOW REACTION
W8	2	1/4"	3/16"	11.1 Kips
W10	2	1/4"	3/16"	11.1 Kips
W12	3	5/16"	1/4"	22.1 Kips
W14	3	5/16"	1/4"	22.1 Kips
W16	4	5/16"	1/4"	35.4 Kips
W18x46	4	5/16"	1/4"	35.4 Kips
W18x60	5	5/16"	1/4"	49.1 Kips
W21x62	5	5/16"	1/4"	49.1 Kips
W21x93	6	5/16"	1/4"	62.7 Kips
W24x62	5	5/16"	1/4"	49.1 Kips
W24x94	6	5/16"	1/4"	62.7 Kips
W27x94	6	5/16"	1/4"	62.7 Kips
W30	8	7/16"	3/8"	100 Kips
W33	9	1/2"	3/8"	120 Kips
W36	10	9/16"	7/16"	140 Kips
W40	12	5/8"	7/16"	170 Kips

NOTE: ALL BOLTS 7/8" Ø A325N @ BEAM TO GIRDER CONNECTION.
ALL BOLTS 7/8" Ø A325SC @ BEAM TO COLUMN CONNECTION.



CLIENT

ARCHITECT

Harris + Smith
260 Peachtree Street NE
Suite 4200
Atlanta, Georgia 30303
P 404.584.8773
F 404.681.5084
www.harris-smith.com
Mech / Elec / Plumbing
Engineered Systems & Services
Suwanee, Georgia
Struct / Civil
Brindley Pieters & Associates, Inc.
Atlanta, Georgia
Landscape
JB+A, Inc.
Atlanta, Georgia

PROJECT TITLE

**CITY OF ATLANTA
FIRE STATION #22**

849 HOLLWOOD ROAD
ATLANTA, GEORGIA 30318

SEAL

INFO REVISIONS

Rev.	Current Revision Date	Current Revision Description
1.	10.22.18	FOR CONSTRUCTION

DRAWN BY: R.B.
CHECKED BY: T.A.
DATE: 10.22.18

KEYPLAN

SCALE: AS NOTED

SECTIONS AND DETAILS

SHEET # **S3.2**

JOB NUMBER: 03001204