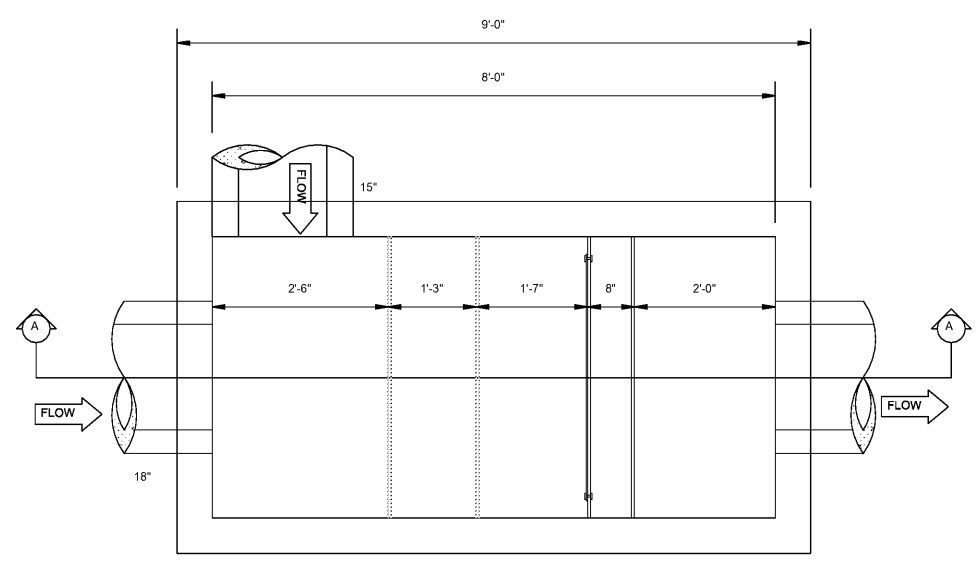
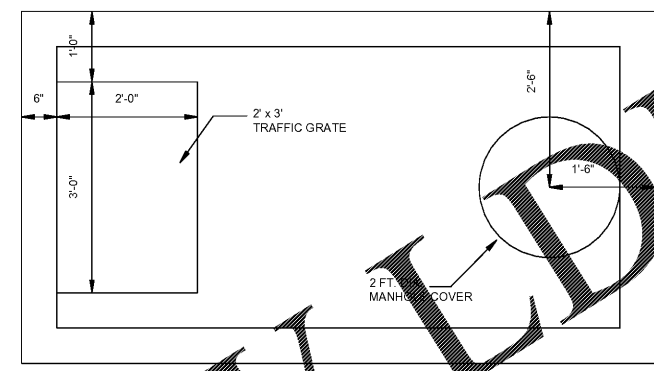


Dimensions on these drawings shall have precedence over scaled dimensions. Contractor shall verify and be responsible for all dimensions and conditions shown on these drawings. Field verify all conditions prior to laying out or fabricating associated items. Bring to the architect's attention any deviation from designed conditions and field conditions prior to ordering materials and installing work, and cooperate with architect to modify such conditions at no additional cost to the owner, architect or architect's consultants. Shop details must be submitted to the architect's office and reviewed by the architect prior to fabrication and delivery to the job site, unless otherwise provided for under the specific contractual agreement between the architect and client. harris + smith Architecture, Inc. expressly reserves its common law copyright and other proprietary rights in these documents. These documents are not to be reproduced, stored in a retrieval system, or transmitted in any form or by any means, electronic, mechanical, photocopying, recording, or by any information storage and retrieval system, without the prior written permission of harris + smith Architecture, Inc. for such use in an amount equal to the original fee for the original documents, plus legal fees, court costs, collection fees and other costs.

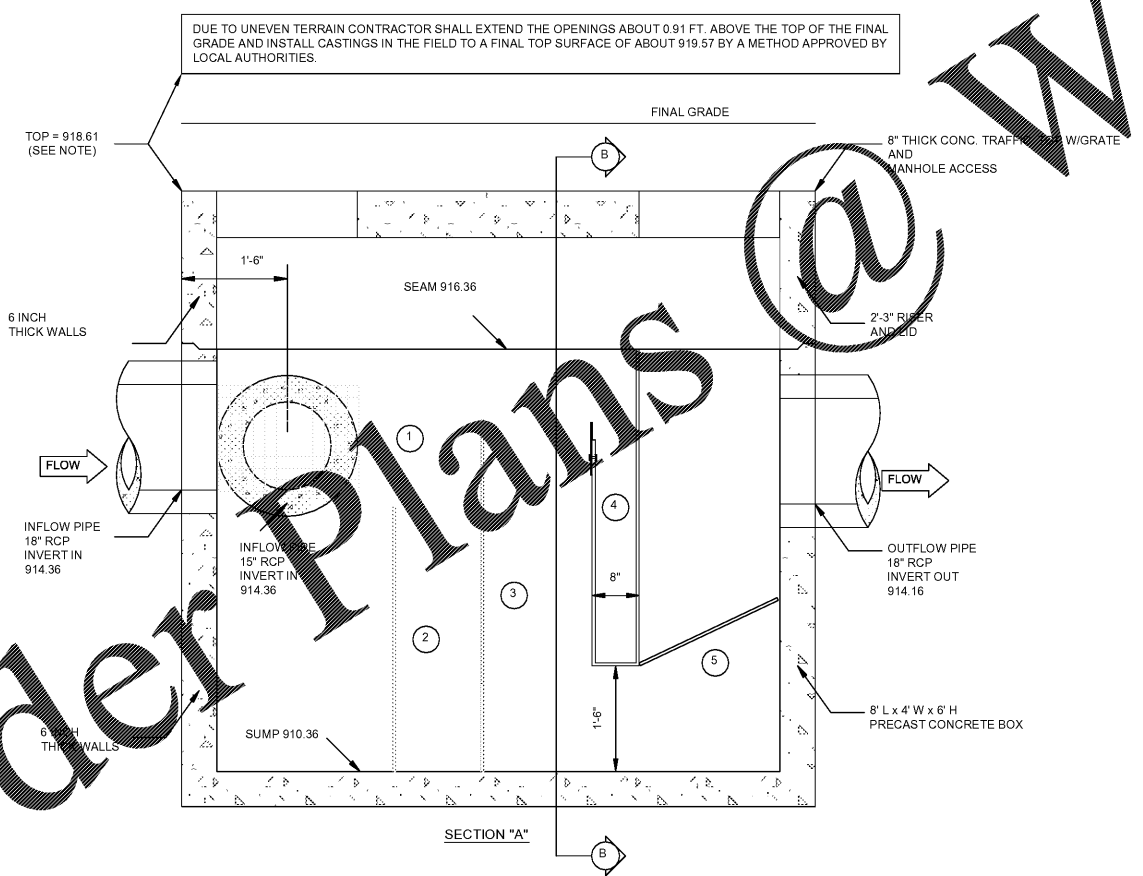
30-42



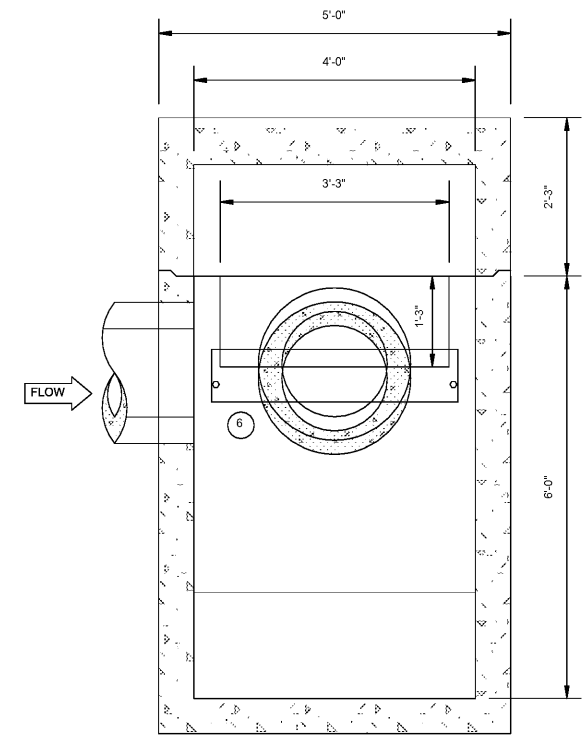
TOP VIEW (INTERNAL)



TOP VIEW (SLAB)



SECTION "A"



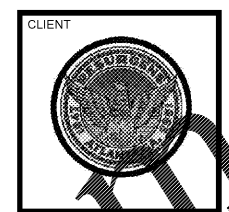
SECTION "B"

NOTES:

1. ALL PIPES SHALL BE CONSTRUCTED TO BE FLUSH WITH THE INSIDE WALLS.
2. CONTRACTOR IS RESPONSIBLE FOR PROVIDING ALL PIPES AND STRUCTURES BETWEEN AND AROUND THE WATER QUALITY VAULTS.
3. ALL VAULT LIFTING CONNECTIONS SHALL BE LOCATED ON THE OUTSIDE OF THE VAULT WALLS.
4. CONCRETE VAULT PRE-CASTER IS RESPONSIBLE FOR THE STRUCTURAL INTEGRITY OF THE CONCRETE VAULTS. WALL AND SLAB THICKNESSES SHALL BE ALTERED ACCORDINGLY.
5. DESIGN BASIS FOR WATER QUALITY STRUCTURE DEVELOPED FROM CRYSTALSTREAM TECHNOLOGIES (CST) WATER QUALITY VAULT "CRYSTAL CLEAN" MODEL 846. CONTRACTOR TO COORDINATE WITH MANUFACTURER FOR PROPER SIZING AND INSTALLATION REQUIREMENTS. CONTRACTOR MAY OPT TO USE APPROVED EQUAL UPON REVIEW BY THE ENGINEER.

LEGEND

- 1 EXPANDED ALUMINUM BASKET W/ 1/4" MESH LINING. 1'-6" H x 2'-0" L x 4'-0" W. Uplift 4'-0" FROM SUMP
- 2 1ST INTERNAL BAFFLE W/ 1" HOLES DRILLED AT 1-1/4" O.C., 3'-9" H.
- 3 2ND INTERNAL BAFFLE W/ 1" HOLES DRILLED AT 1 1/4" O.C., 5'-0" H.
- 4 SPILL PROTECTION RESERVOIR 4'-6" H. WITH A 1'-3" FRONT CUT.
- 5 3/4" COCONUT FIBER FILTER IN ALUMINUM FRAME 2'-2" LONG.
- 6 1/4" ALUMINUM PLATE. 9" H., 3'-6" WIDE.



ARCADIS | BPA
 a joint venture
 ARCADIS/ BPA
 2849 PACES FERRY ROAD
 SUITE
 Atlanta, Georgia 30339

Architect
harris + smith
 260 Peachtree Street NE
 Suite 4200
 Atlanta, Georgia 30303
 P: 404.584.8773
 F: 404.681.5084
 www.harris-smith.com
 Mech./Elec./Plumbing:
 Engineered Systems & Services
 Suwanee, Georgia
 Struc./Civil:
 Brindley Pieters & Associates, Inc.
 Atlanta, Georgia
 Landscape:
 JB+A, Inc.
 Atlanta, Georgia

PROJECT TITLE
CITY OF ATLANTA
FIRE STATION #22
 849 HOLLYWOOD ROAD
 ATLANTA, GA 30318



REVISIONS	
NO	DATE
1	10/22/2018
2	
3	
4	
5	
6	

ISSUED FOR CONSTRUCTION
 DRAWN BY: IDB
 CHECKED BY: IDB
 DATE: 10/22/2018

APPROVED BY OWNER: _____
 DATE: _____
 KEYPLAN

SCALE: AS SHOWN
DRAINAGE DETAILS
 SHEET #
C9.1
 JOB NUMBER: 03001204