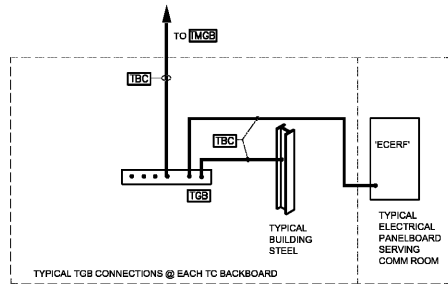


3 ELEVATOR/AREA OF RESCUE ASSISTANCE 2-WAY COMMUNICATION SYSTEM RISER DIAGRAM

- NOTES:**
- AREA OF RESCUE ASSISTANCE SYSTEM SHALL BE MANUFACTURED BY HOUSING DEVICES, INC. (MEDFORD, MA) OR EQUIVALENT WITH BATTERY BACKUP OR EQUAL.
 - COORDINATE EXACT WIRING REQUIREMENTS WITH THE WIRING DIAGRAMS PROVIDED BY THE MANUFACTURER. LOCATE RELAY CABINET AND AMPLIFIER CABINET IN THE LODGE ELECTRICAL ROOM.
 - SYSTEM SHALL HAVE BOTH AUDIBLE AND VISIBLE FORMS OF COMMUNICATION BETWEEN THE MASTER STATION AND THE AREA STATIONS. THE TWO-WAY COMMUNICATION SYSTEM SHALL HAVE A TYPED AUTOMATIC TELEPHONE DIAL-OUT CAPABILITY TO A MONITORING LOCATION OR '911' FULL TWO-WAY COMMUNICATION IS REQUIRED BETWEEN AREA STATION AND MONITORING/'911' STATION.
 - PROVIDE RELAY CARDS AS REQUIRED FOR SIZE OF SYSTEM INDICATED.
 - ALL EXTERIOR CALL STATIONS TO BE WEATHERPROOF.



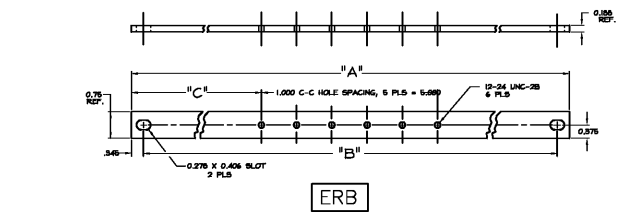
TYPICAL GROUND BAR CONNECTIONS

TELECOMMUNICATIONS GROUNDING SYSTEM LEGEND

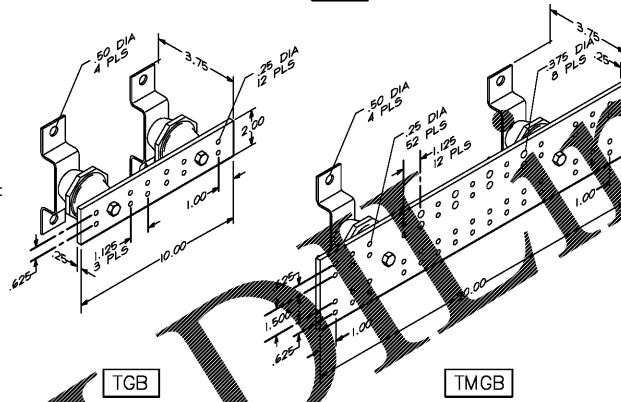
NOTES:
1. RUN ALL GROUND CONDUCTORS IN THIS SYSTEM IN TELECOM PRIMARY AND SECONDARY PATHWAYS TO EXTENT FEASIBLE.

TELECOMMUNICATIONS GROUNDING LEGEND

- ALL CONDUCTORS SHALL BE GREEN INSULATED, OR BARE STRANDED ALL-COPPER CONDUCTORS.
- TBC** TELECOMMUNICATIONS BONDING CONDUCTOR #8 AWG GREEN INSULATED IN 1" CONDUIT.
 - TMB** TELECOMMUNICATIONS MAIN BONDING CONDUCTOR #30 AWG BARE STRANDED COPPER.
 - TBB** TELECOMMUNICATIONS BONDING BACKBONE #30 AWG BARE STRANDED COPPER.
 - TMG** TELECOMMUNICATIONS MAIN GROUND BAR MOUNTED ON BACKBOARD. SEE DETAIL.
 - TGB** TELECOMMUNICATIONS GROUND BAR MOUNTED ON BACKBOARD. SEE DETAIL.
 - ERB** EQUIPMENT RACK BUSBAR MOUNTED IN EACH CABINET. SEE DETAIL.

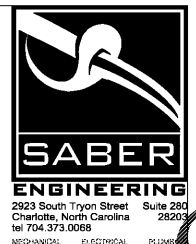


ERB



TYPICAL TELECOMMUNICATIONS GROUNDING BAR DETAILS

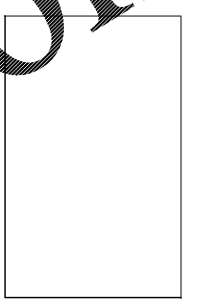
- NOTES:**
1. TYPICAL BUSBAR, TERMINALS AND BACKBOARD MOUNT BRACKETS SHOWN HERE REFLECT TIA STANDARDS-COMPLIANT DIMENSIONS.
2. MOUNT BACKBOARD MOUNTED BUSBARS @ 7'-6" AFF UNLESS DIRECTED OTHERWISE BY OWNER.



MECHANICAL ELECTRICAL PLUMBING
DEC 7, 2018
NUMBER = C-2130

WILSON AIR CENTER NORTH TERMINAL

ARCHITECT
THE WILSON GROUP
P O BOX 5910
CHARLOTTE, NC 28209
(704) 331-9147



ARCHITECT
THE WILSON GROUP
P O BOX 5910
CHARLOTTE, NC 28209
(704) 331-9147

CIVIL ENGINEER
TALBERT, BRIGHT & ELLINGTON
3525 WHITEHALL PARK DRIVE, SUITE 210
CHARLOTTE, NC 28273
(704) 426-6070 FIRM NO.: C-1163

STRUCTURAL ENGINEER
STEWART
101 N. TRYON ST., SUITE 1400
CHARLOTTE, NC 28202
(704) 908-3523 FIRM NO.: C-1051

MECHANICAL, ELECTRICAL, PLUMBING & FIRE PROTECTION ENGINEER
SABER ENGINEERING
2923 S. TRYON ST., SUITE 280
CHARLOTTE, NC 28203
(704) 373-0068 FIRM NO.: C-2130

LANDSCAPE ARCHITECT
URBAN DESIGN PARTNERS
1318-E6 CENTRAL AVENUE
CHARLOTTE, NC 28205
(704) 334-3303 FIRM NO.: C-118D

COMMUNICATIONS INFRASTRUCTURE
DB CONSULTING
246 LOVES FARM ROAD
BLACKSBURG, SC 29702
(704) 457-7228 FIRM NO.: C-118D

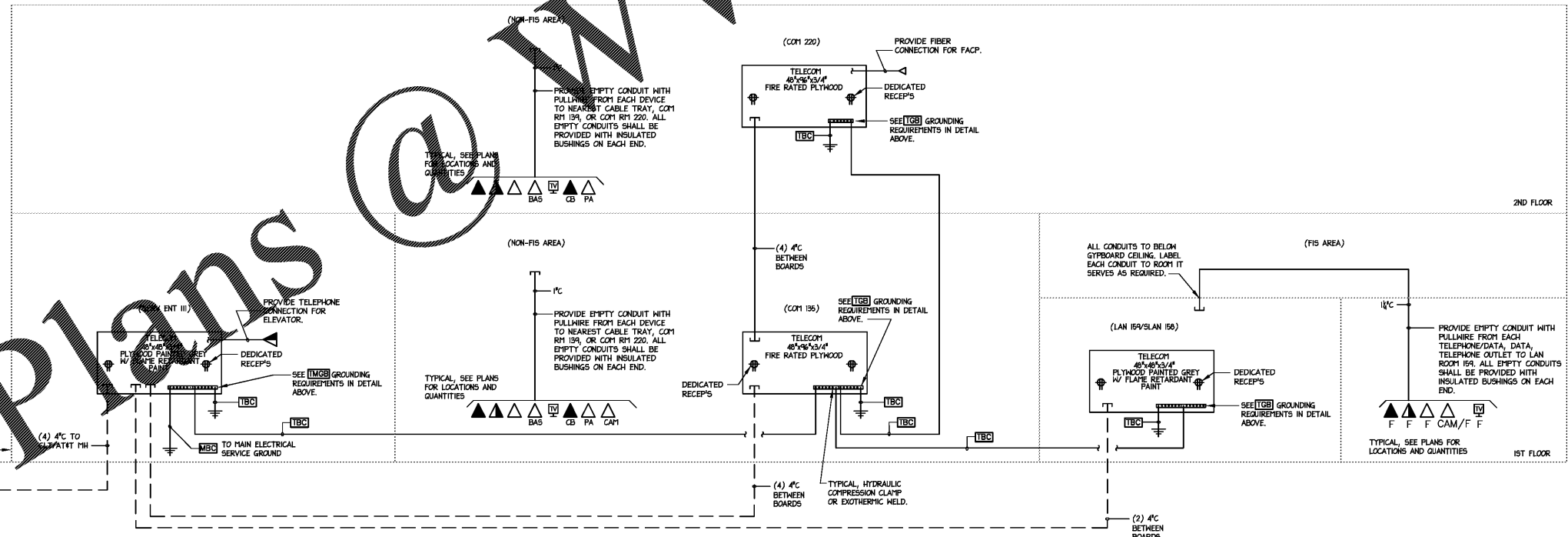
REVISIONS

NO.	DESCRIPTION

DATE DECEMBER 7, 2018
PROJECT NUMBER 9197-000

SHEET TITLE
DETAILS AND RISERS

SHEET NUMBER
LV-101



1 TELECOM RISER DIAGRAM
NO SCALE

- NOTES:**
- COORDINATE ALL TELEPHONE AND DATA SERVICE WORK WITH LOCAL UTILITIES PRIOR TO PROJECT START UP.
 - COORDINATE ALL LOW VOLTAGE WIRING REQUIREMENTS WITH OWNER'S VENDOR PRIOR TO PROJECT START UP.

Order Plans @ WWW.WILSONGROUP.COM