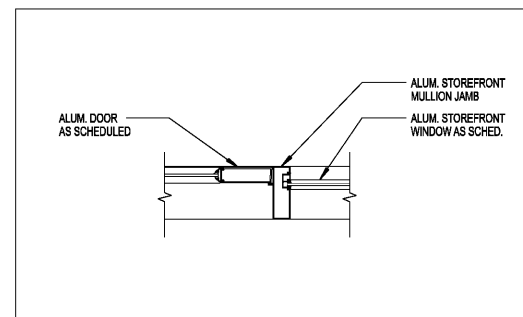


REVISIONS

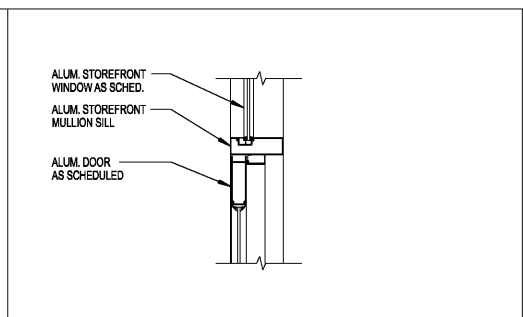
DATE DECEMBER 7, 2018  
PROJECT NUMBER 9197-000

SHEET TITLE  
DOOR DETAILS

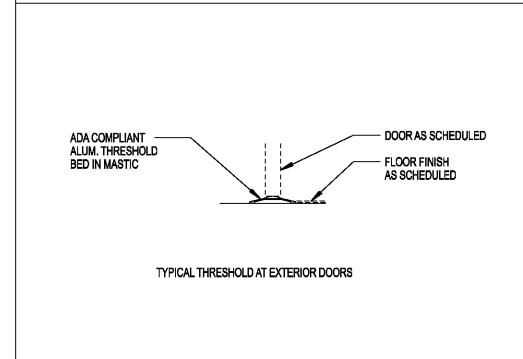
SHEET NUMBER  
A-602



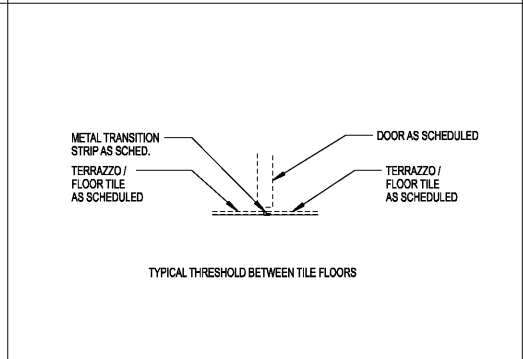
21 JAMB DETAIL AT DOOR 1 1/2"=1'-0"



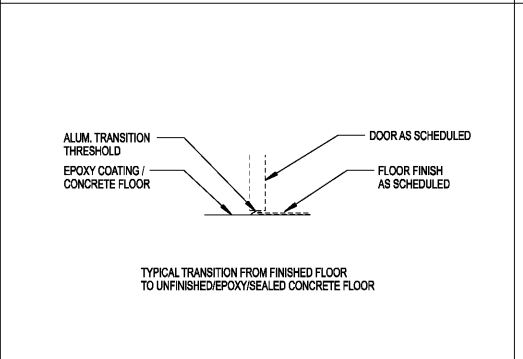
22 HEAD DETAIL AT DOOR 1 1/2"=1'-0"



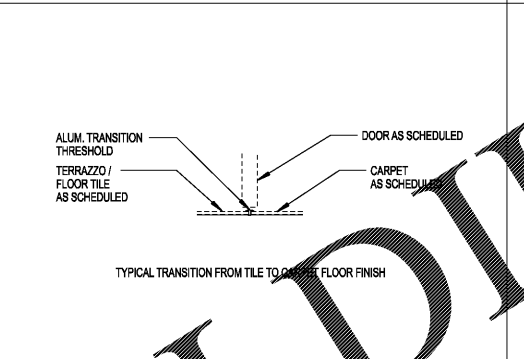
16 THRESHOLD DETAIL 1 1/2"=1'-0"



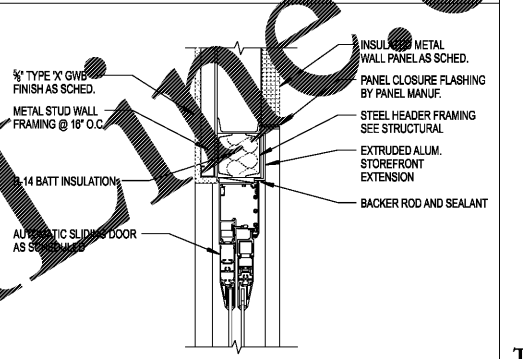
17 THRESHOLD DETAIL 1 1/2"=1'-0"



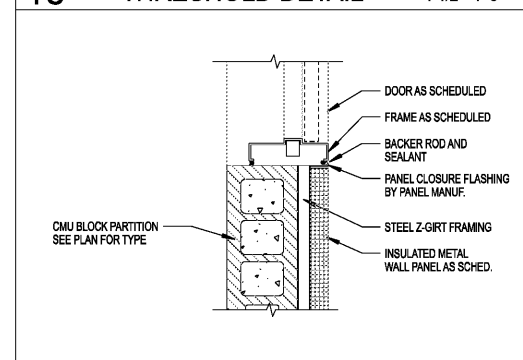
18 THRESHOLD DETAIL 1 1/2"=1'-0"



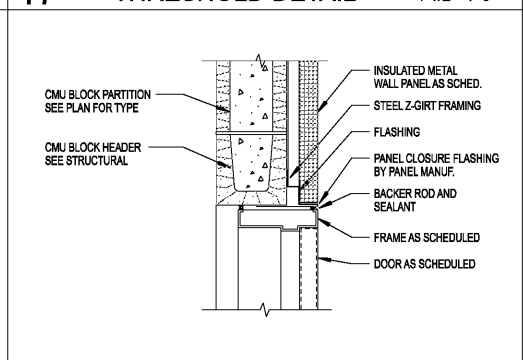
19 THRESHOLD DETAIL 1 1/2"=1'-0"



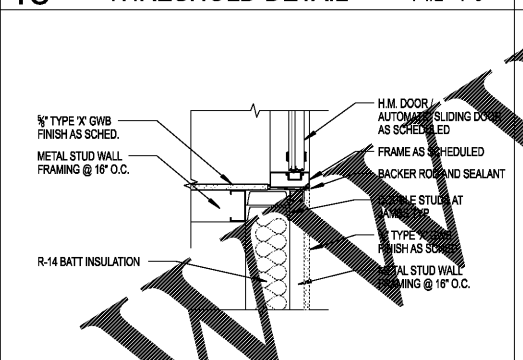
20 HEAD DETAIL AT DOOR 1 1/2"=1'-0"



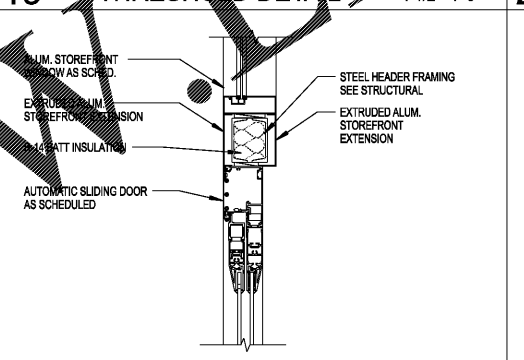
11 JAMB DETAIL AT DOOR 1 1/2"=1'-0"



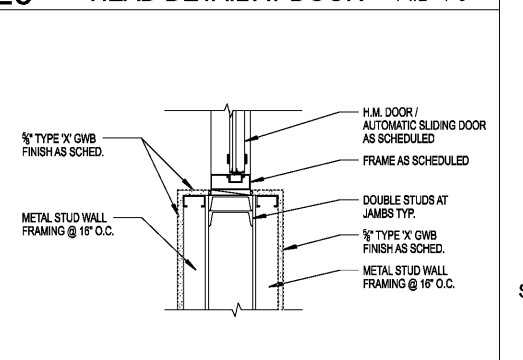
12 HEAD DETAIL AT DOOR 1 1/2"=1'-0"



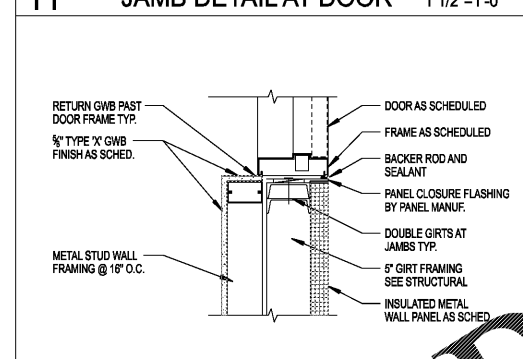
13 JAMB DETAIL AT DOOR 1 1/2"=1'-0"



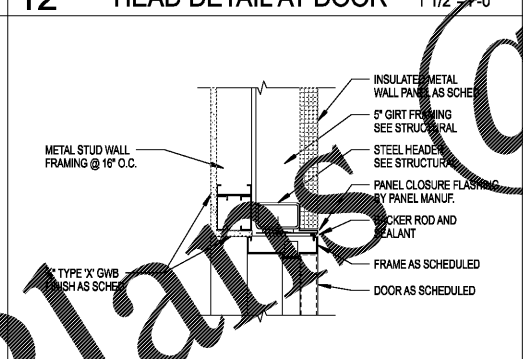
14 HEAD DETAIL AT DOOR 1 1/2"=1'-0"



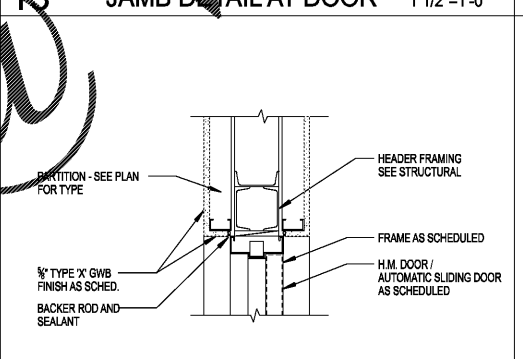
15 JAMB DETAIL AT DOOR 1 1/2"=1'-0"



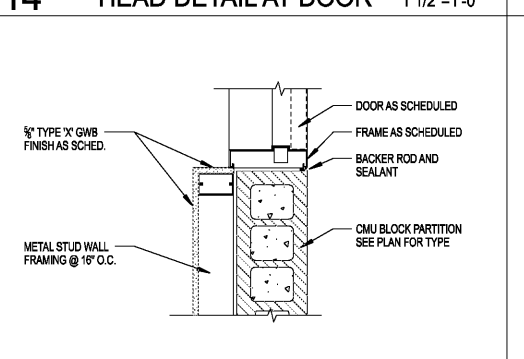
6 JAMB DETAIL AT DOOR 1 1/2"=1'-0"



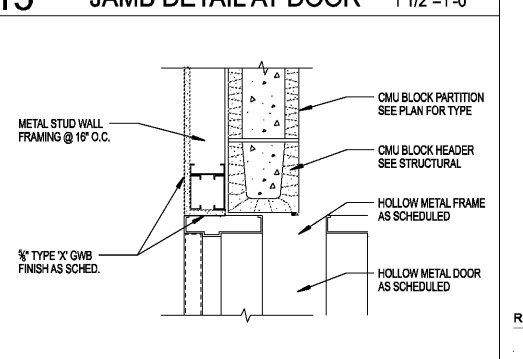
7 HEAD DETAIL AT DOOR 1 1/2"=1'-0"



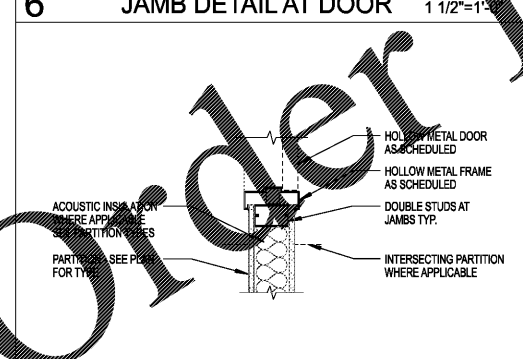
8 HEAD DETAIL AT DOOR 1 1/2"=1'-0"



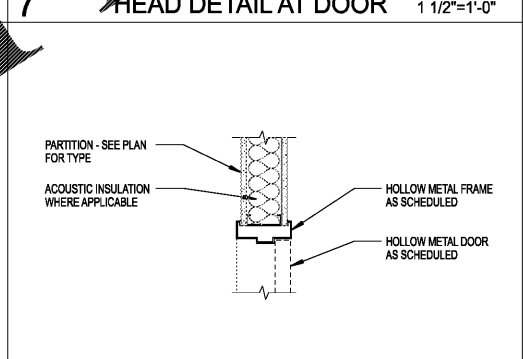
9 JAMB DETAIL AT DOOR 1 1/2"=1'-0"



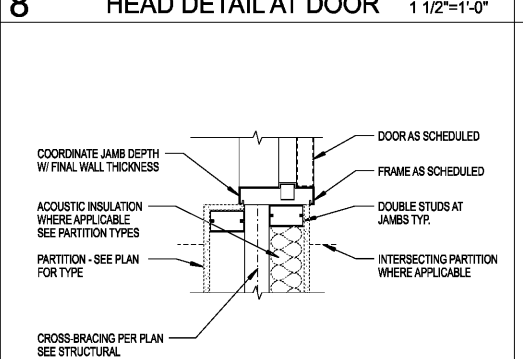
10 HEAD DETAIL AT DOOR 1 1/2"=1'-0"



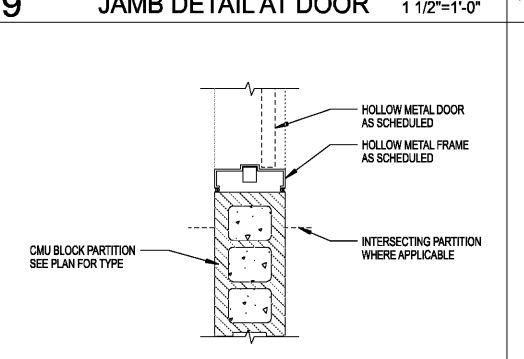
1 JAMB DETAIL AT DOOR 1 1/2"=1'-0"



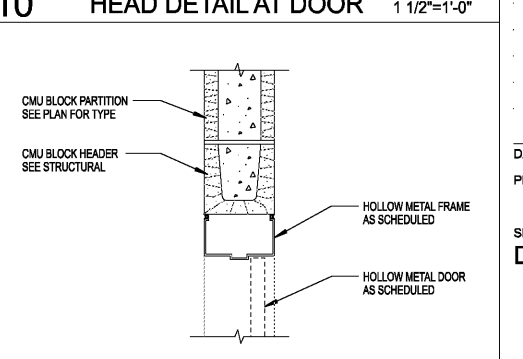
2 HEAD DETAIL AT DOOR 1 1/2"=1'-0"



3 JAMB DETAIL AT DOOR 1 1/2"=1'-0"



4 JAMB DETAIL AT DOOR 1 1/2"=1'-0"



5 HEAD DETAIL AT DOOR 1 1/2"=1'-0"

Order Plans @