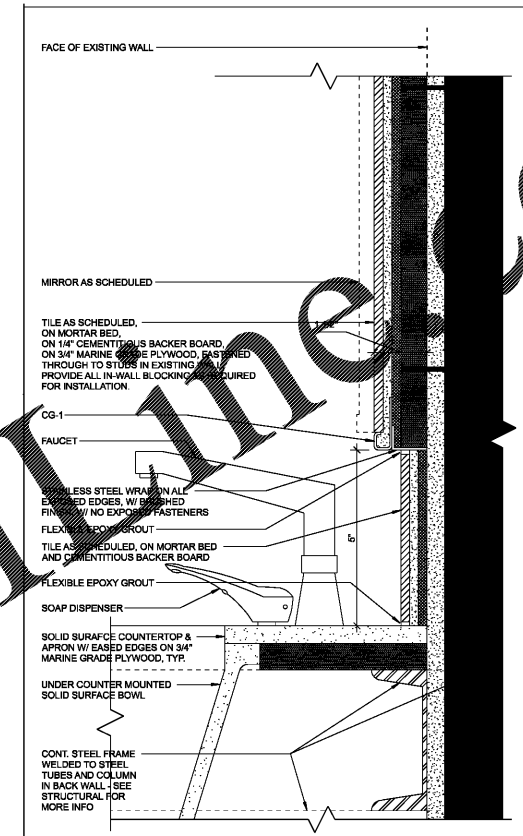


REVISIONS

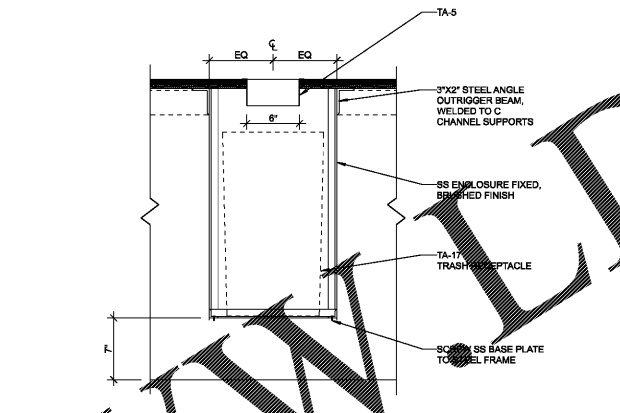
DATE DECEMBER 7, 2018 PROJECT NUMBER 9197-000

SHEET TITLE TOILET ROOM DETAILS

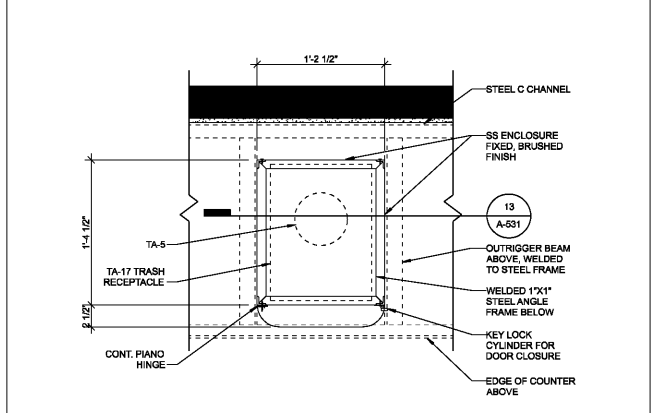
SHEET NUMBER A-531



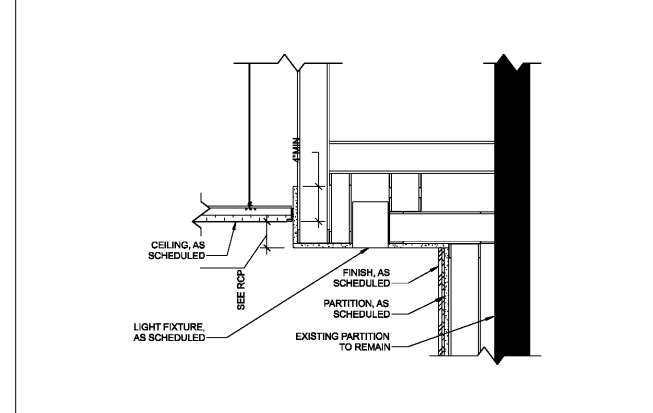
14 SHEET REF SECTION AT MIRROR BUILD-OUT 6"=1'-0"



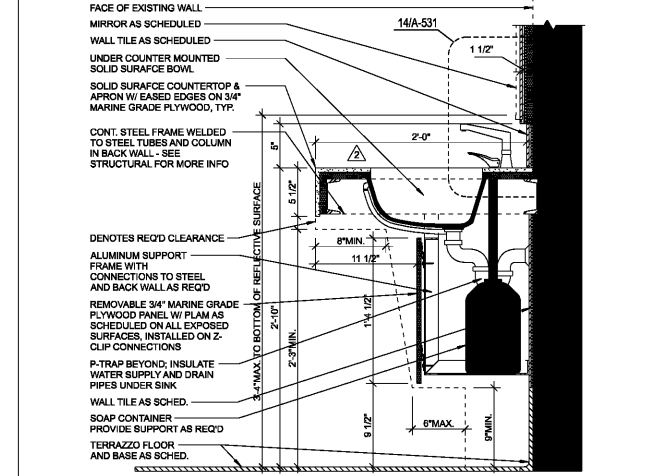
13 SHEET REF SECTION DETAIL AT TRASH 1 1/2"=1'-0"



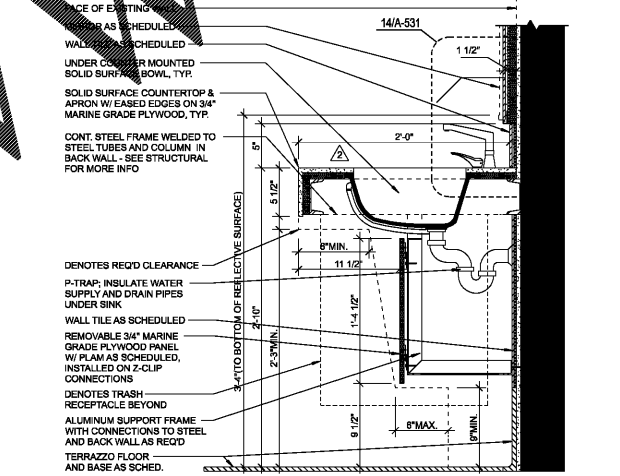
12 SHEET REF PLAN DETAIL AT TRASH 1 1/2"=1'-0"



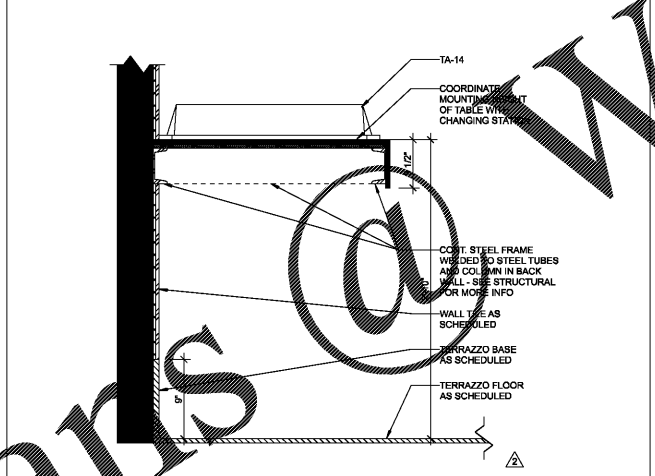
11 SHEET REF SECTION AT VANITY SOFFIT 1 1/2"=1'-0"



9 SHEET REF SECTION AT SINK 1 1/2"=1'-0"



8 SHEET REF SECTION AT SINK 1 1/2"=1'-0"



7 SHEET REF SEC AT BABY CHANGING 1 1/2"=1'-0"



16 SHEET REF SECTION DETAIL AT TOILET PARTITION SOFFIT 1 1/2"=1'-0"

Order Plans @ www.wildblue.com