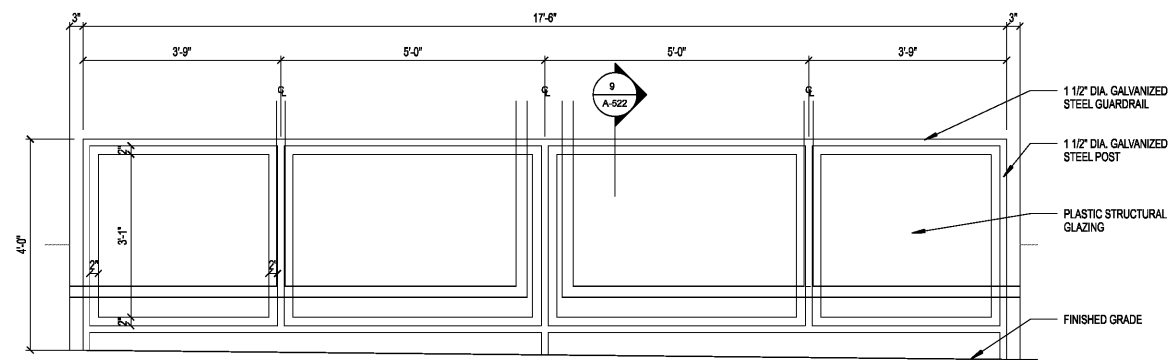


REVISIONS

DATE DECEMBER 7, 2018
 PROJECT NUMBER 9197-000

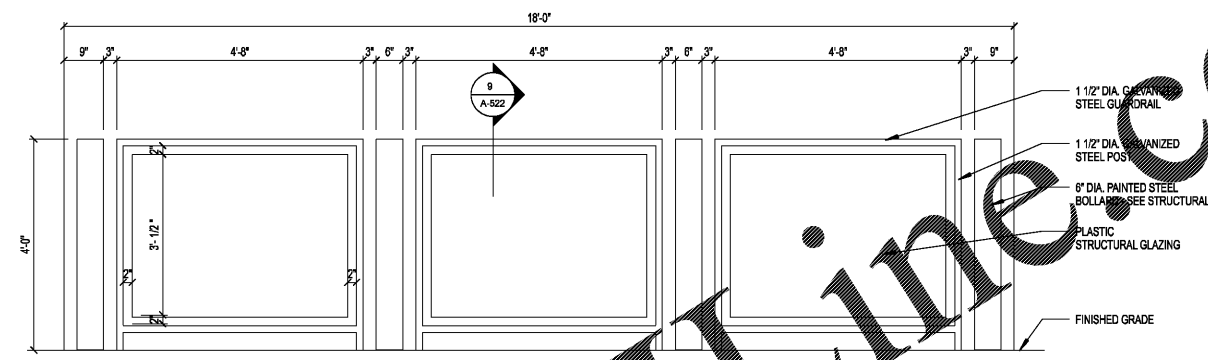
SHEET TITLE
RAILING DETAILS

SHEET NUMBER
A-522



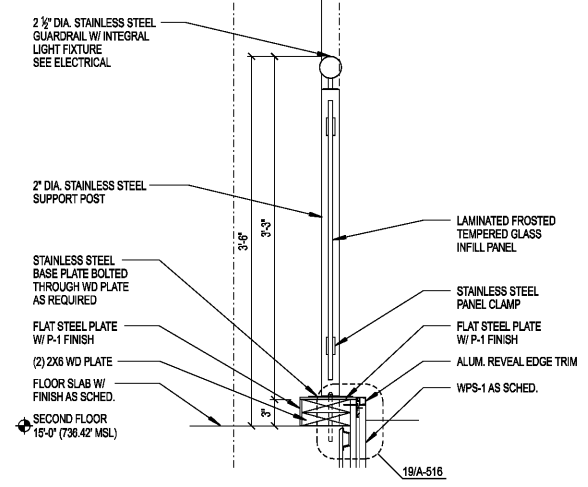
11 A-211 ENLARGED ELEVATION

3/4"=1'-0"



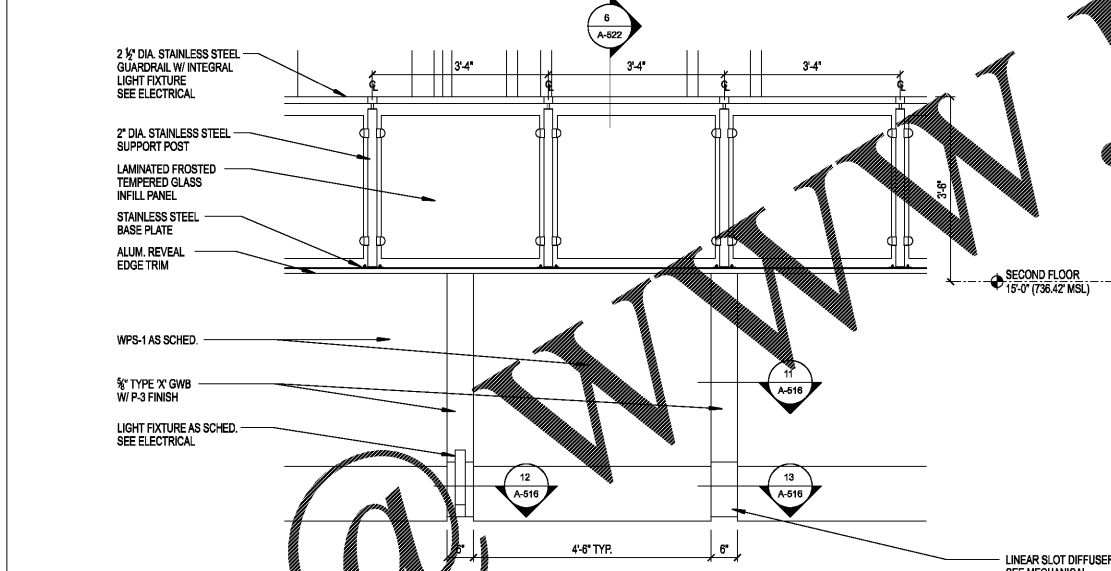
13 A-211 ENLARGED ELEVATION

3/4"=1'-0"



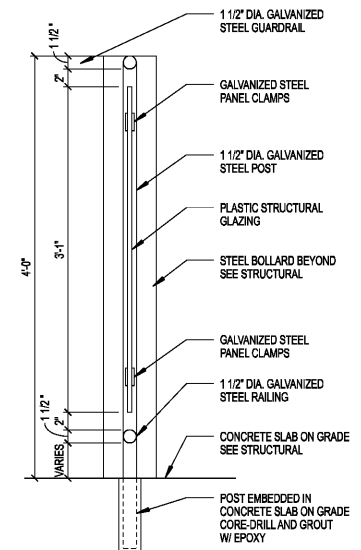
6 A-352 SECTION DETAIL

1 1/2"=1'-0"



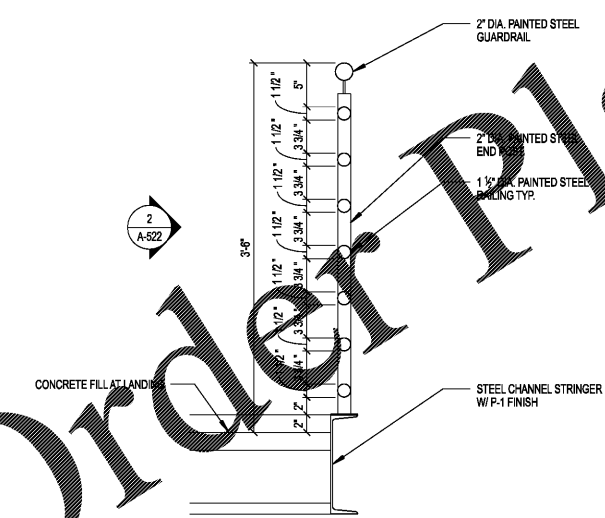
7 A-302 ENLARGED ELEVATION

3/4"=1'-0"



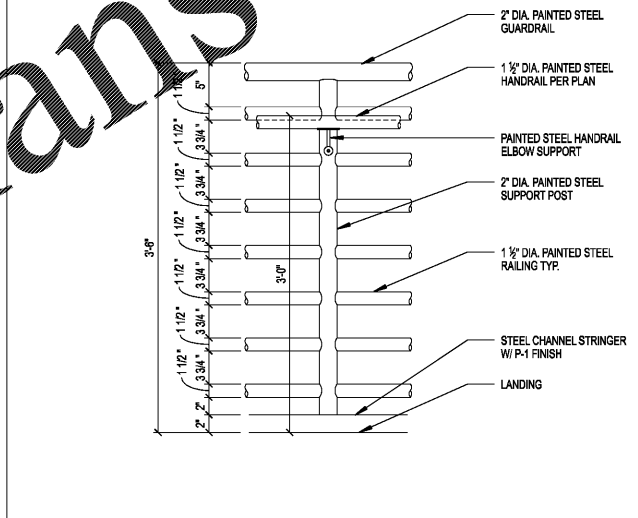
9 A-522 SECTION DETAIL

1 1/2"=1'-0"



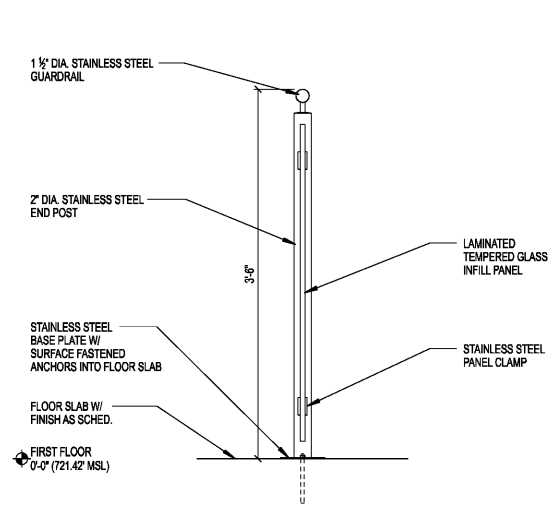
1 A-431 SECTION DETAIL

1 1/2"=1'-0"



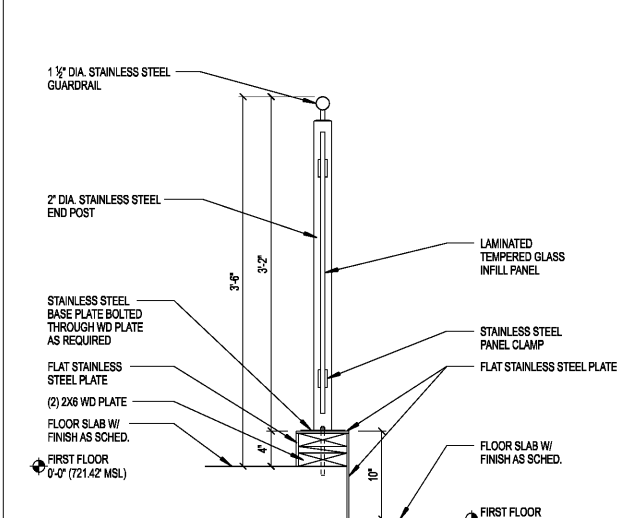
2 A-434 SECTION DETAIL

1 1/2"=1'-0"



3 A-433 SECTION DETAIL

1 1/2"=1'-0"



4 A-433 SECTION DETAIL

1 1/2"=1'-0"

Order Plans @ www.ldrilline.com