

REVISIONS

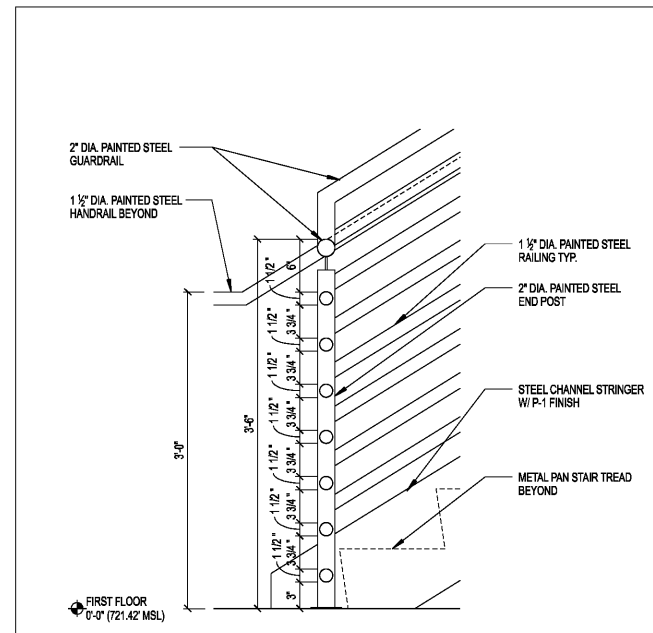
NO.	DATE	DESCRIPTION

DATE DECEMBER 7, 2018

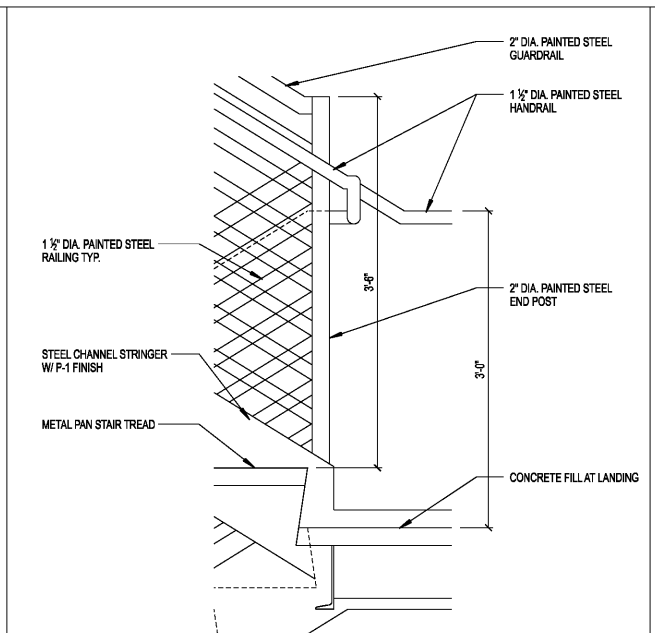
PROJECT NUMBER 9197-000

SHEET TITLE STAIR AND RAILING DETAILS

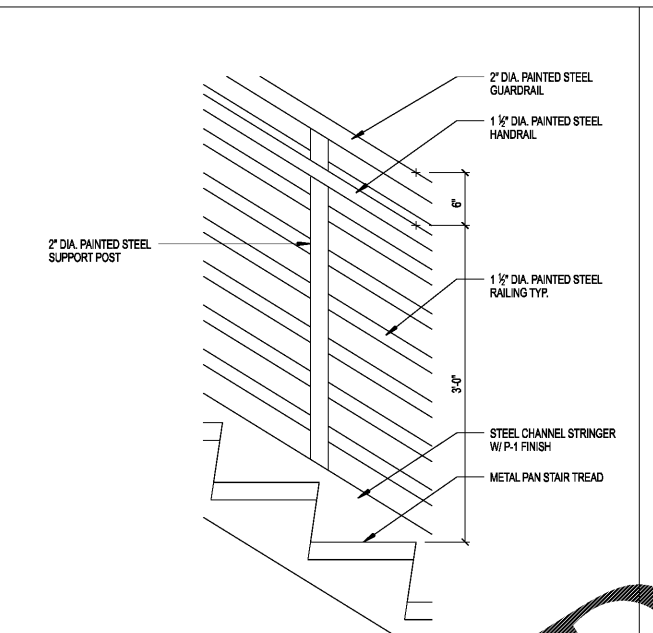
SHEET NUMBER A-521



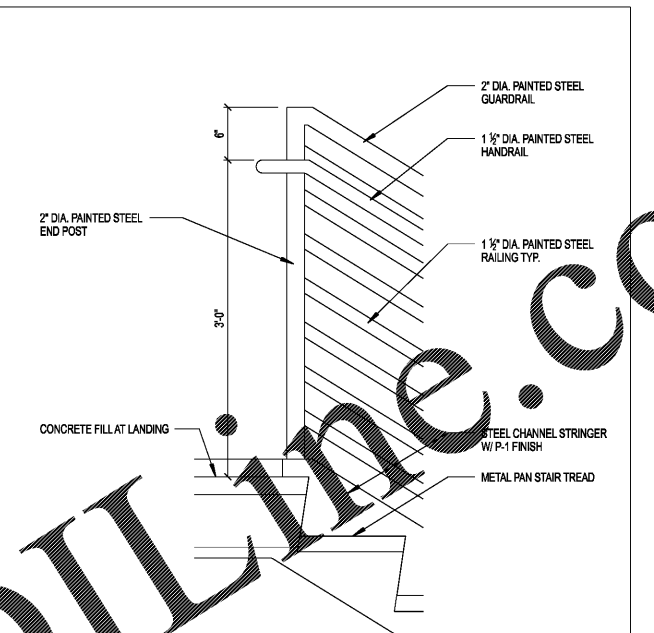
11 SECTION DETAIL 1 1/2"=1'-0"



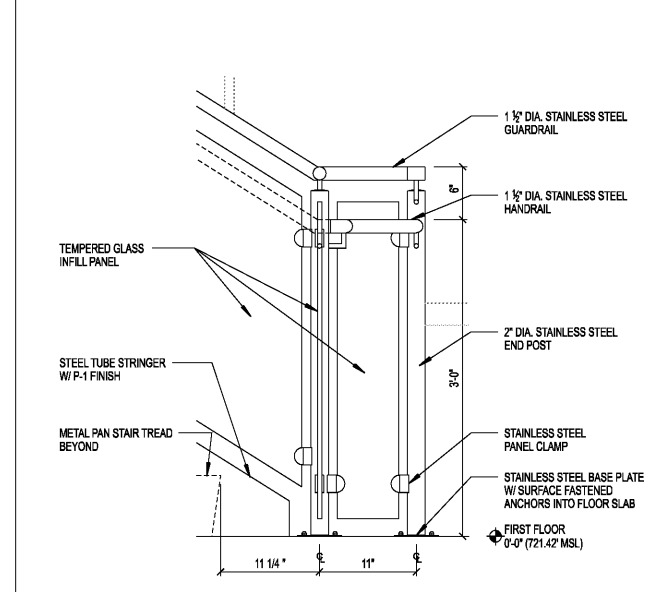
12 SECTION DETAIL 1 1/2"=1'-0"



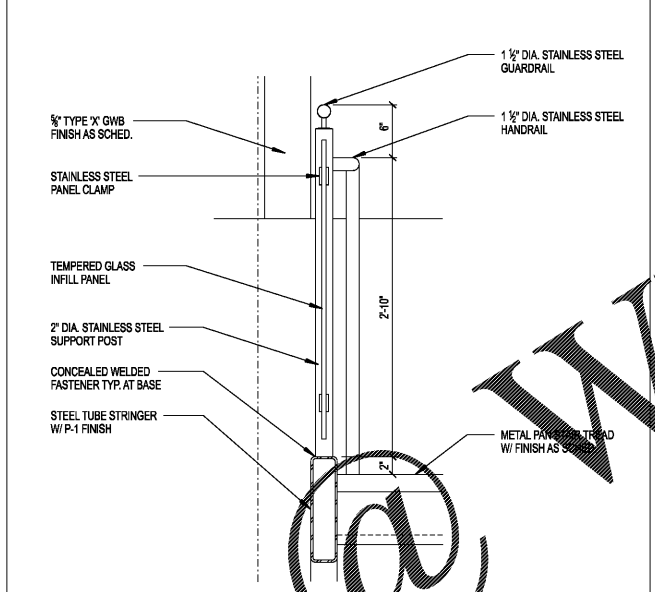
13 SECTION DETAIL 1 1/2"=1'-0"



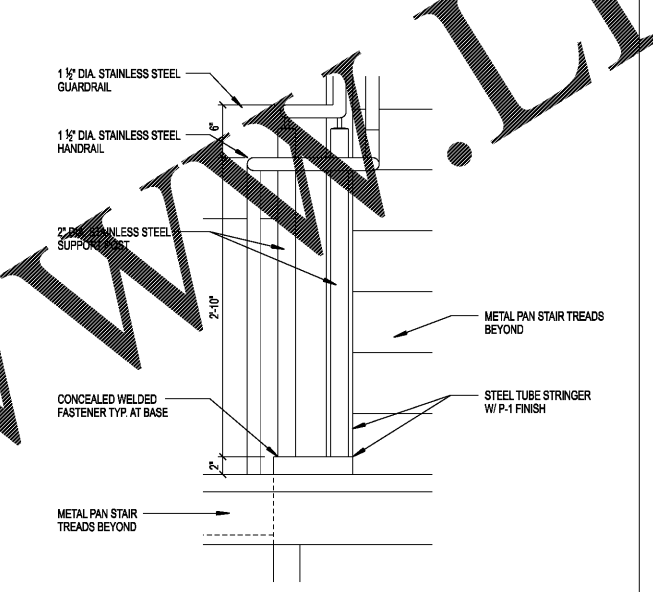
14 SECTION DETAIL 1 1/2"=1'-0"



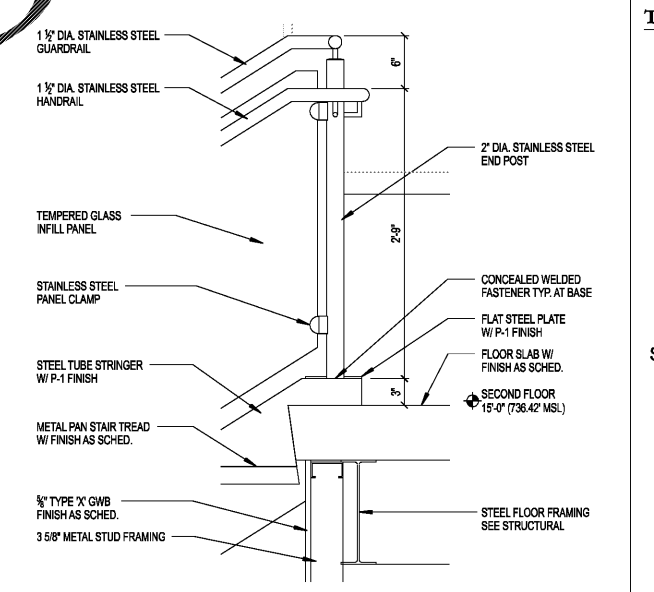
6 SECTION DETAIL 1 1/2"=1'-0"



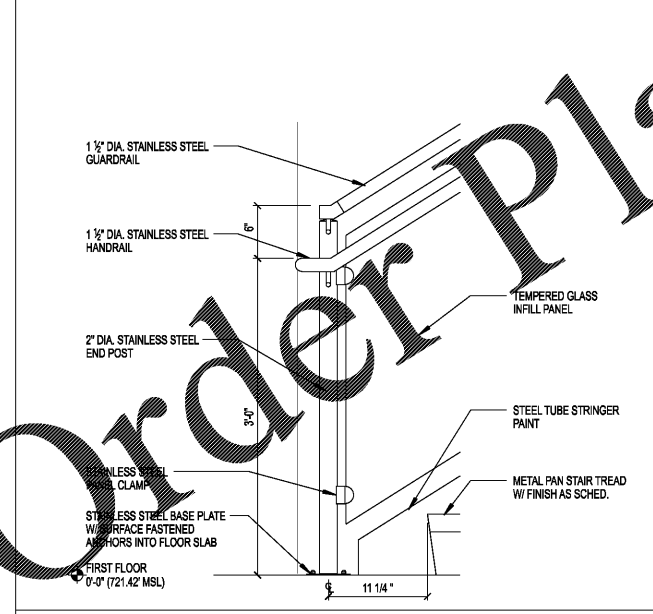
7 SECTION DETAIL 1 1/2"=1'-0"



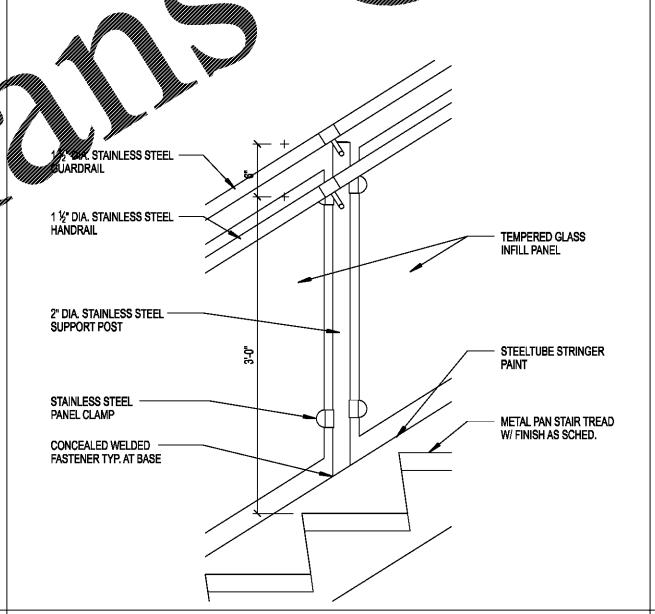
8 SECTION DETAIL 1 1/2"=1'-0"



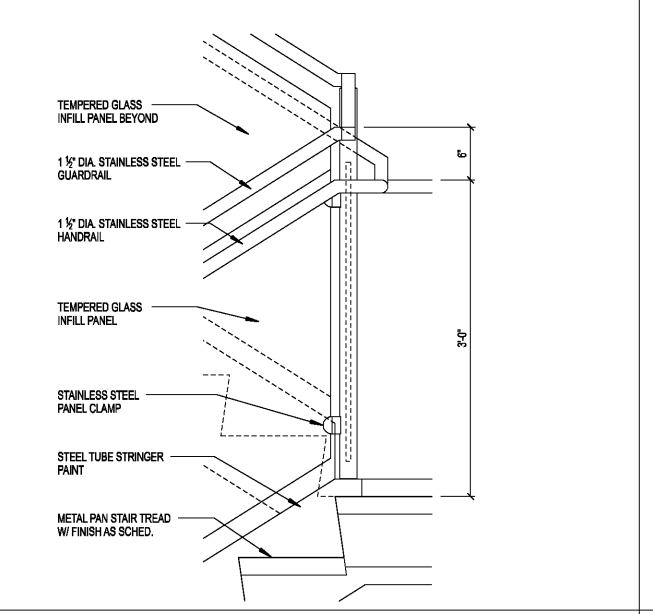
9 SECTION DETAIL 1 1/2"=1'-0"



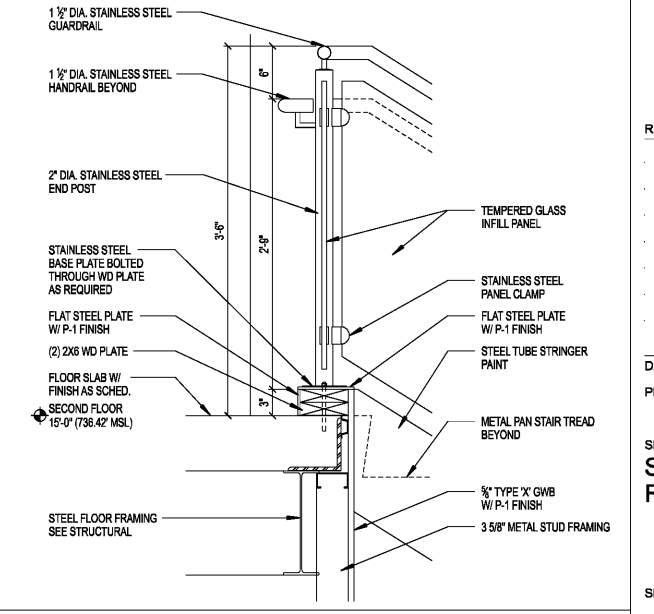
1 SECTION DETAIL 1 1/2"=1'-0"



2 SECTION DETAIL 1 1/2"=1'-0"



3 SECTION DETAIL 1 1/2"=1'-0"



4 SECTION DETAIL 1 1/2"=1'-0"

Order Plans