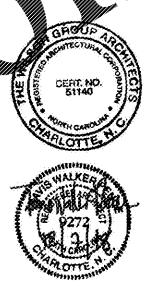


CHARLOTTE, NC 28203
 5327 WILSON FIELD DRIVE
 CHARLOTTE, NC 28203



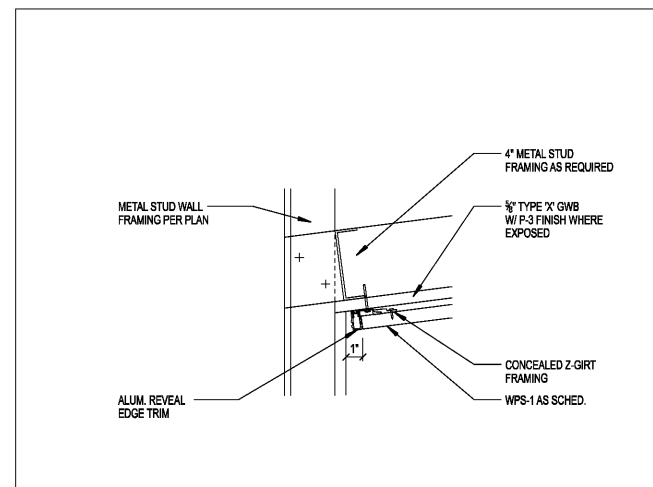
PO BOX 5510 CHARLOTTE, NC 28209
 704-331-8747 • www.thewilsongroup.com

REVISIONS

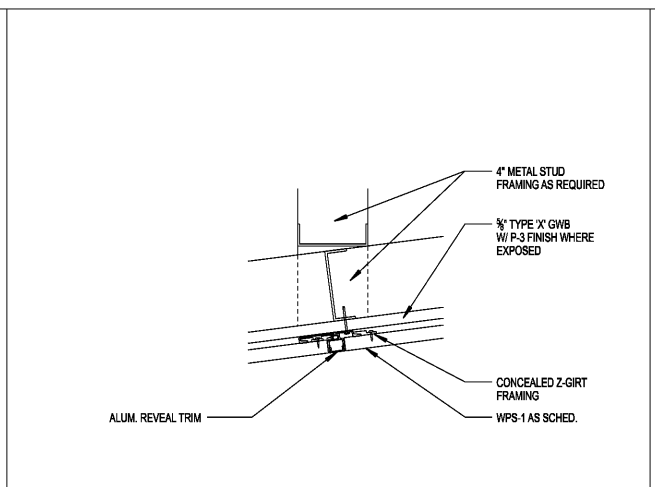
DATE DECEMBER 7, 2018
 PROJECT NUMBER 9197-000

SHEET TITLE
SECTION DETAILS

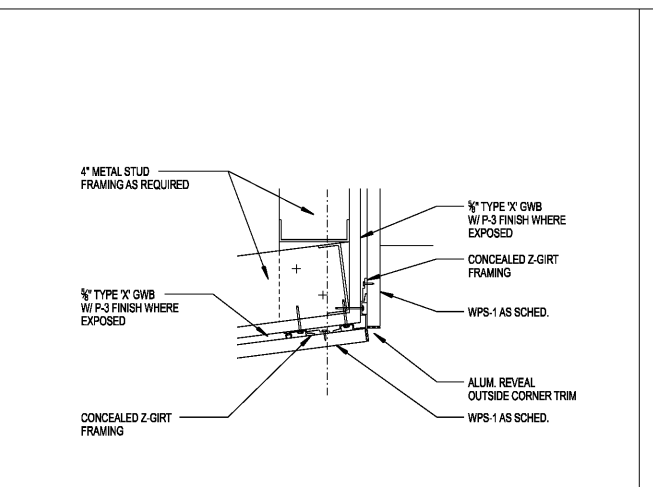
SHEET NUMBER
A-516



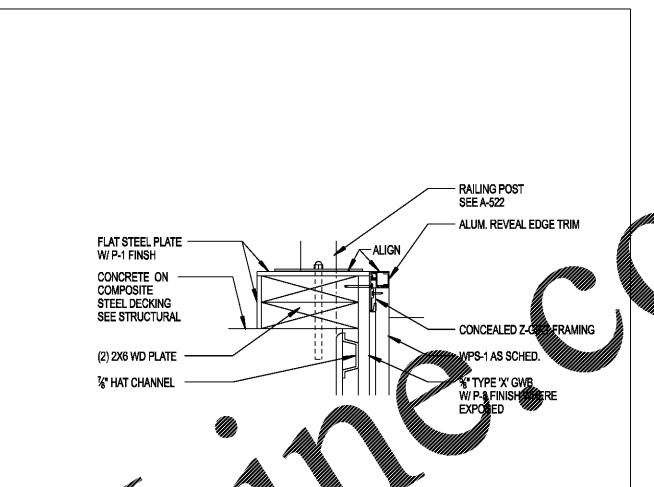
16 A-511 **WPS DETAIL** 3"=1'-0"



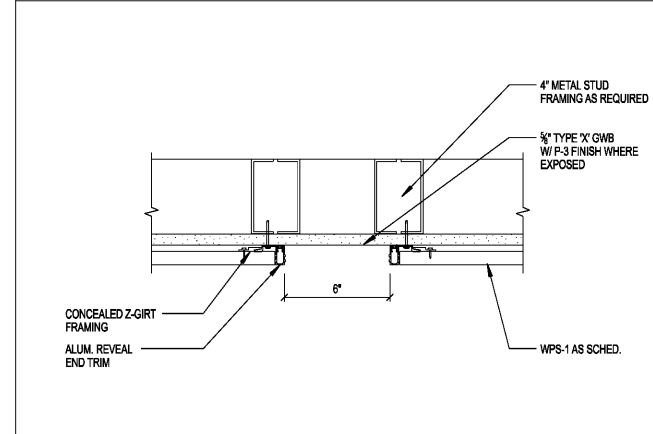
17 A-511 **WPS DETAIL** 3"=1'-0"



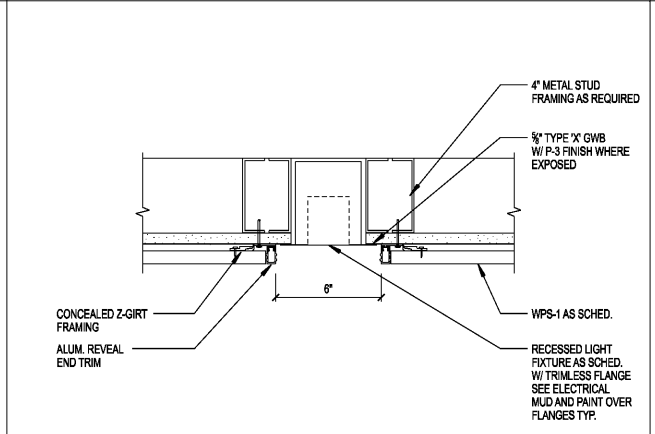
18 A-511 **WPS DETAIL** 3"=1'-0"



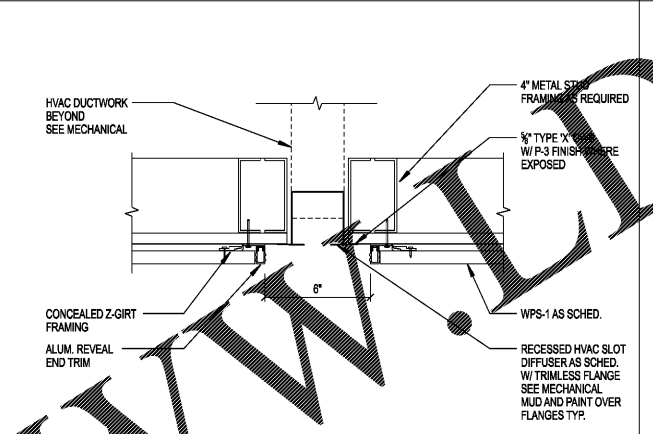
19 A-511 **WPS DETAIL** 3"=1'-0"



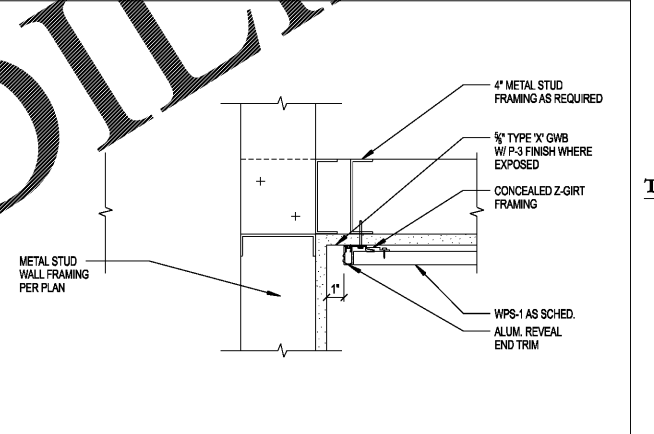
11 A-421 **WPS DETAIL** 3"=1'-0"



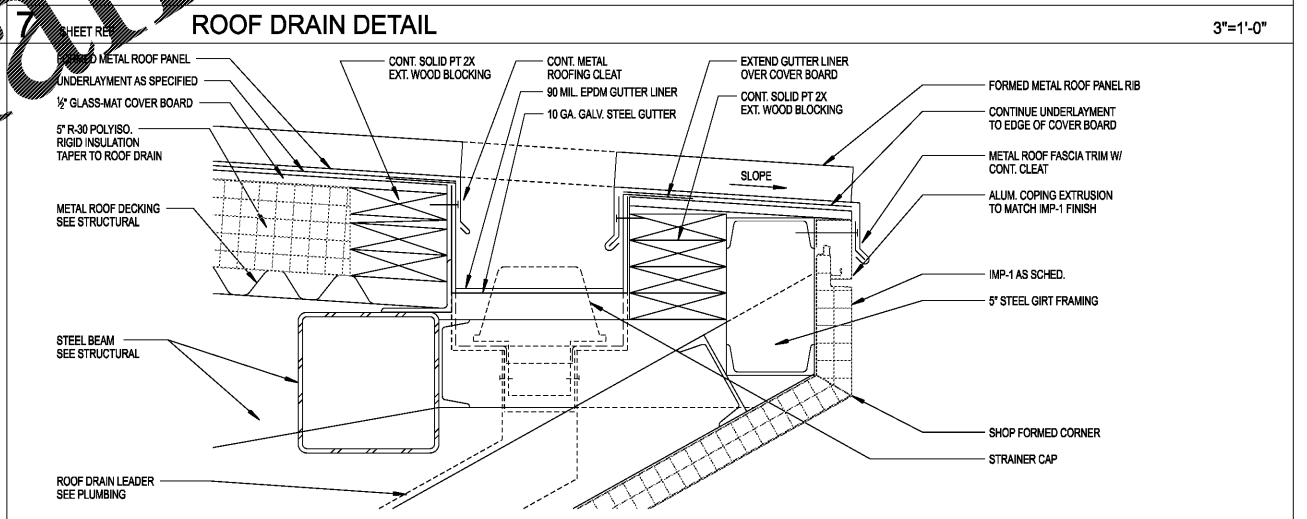
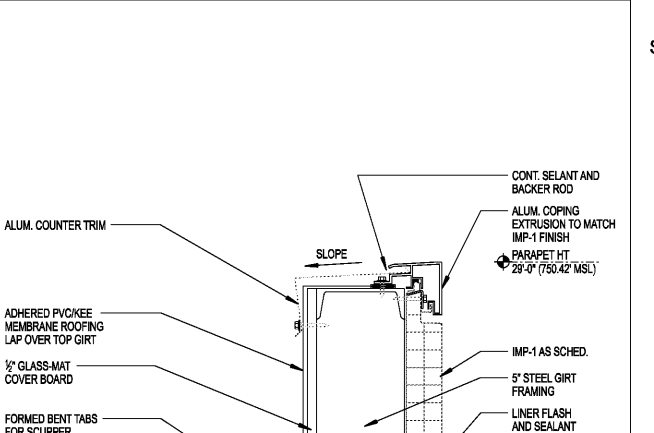
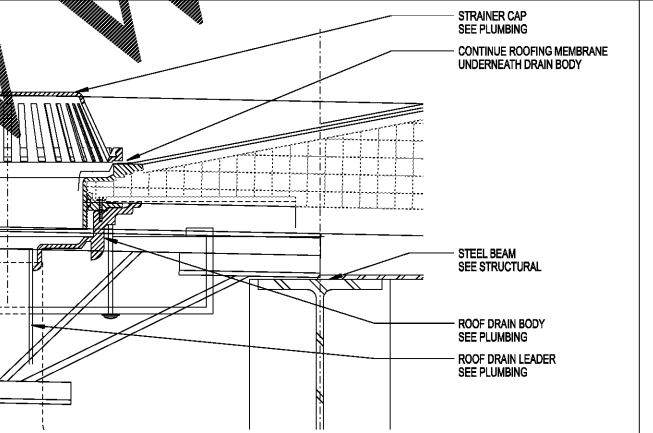
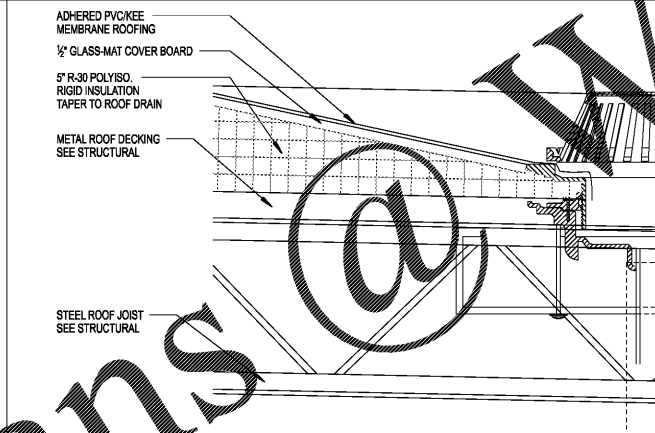
12 A-421 **WPS DETAIL** 3"=1'-0"



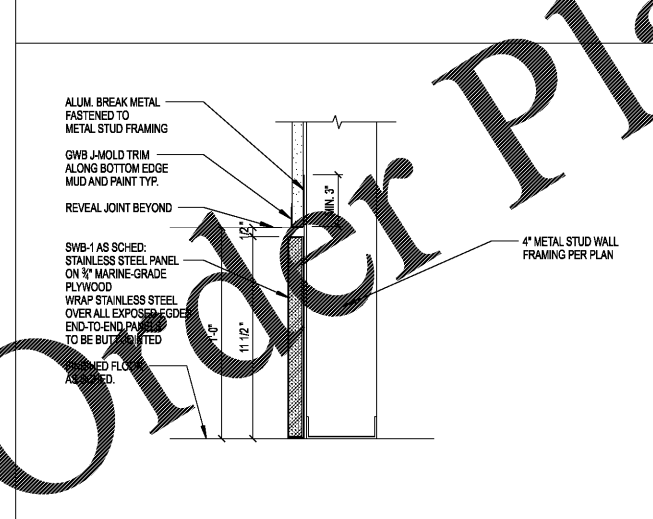
13 A-421 **WPS DETAIL** 3"=1'-0"



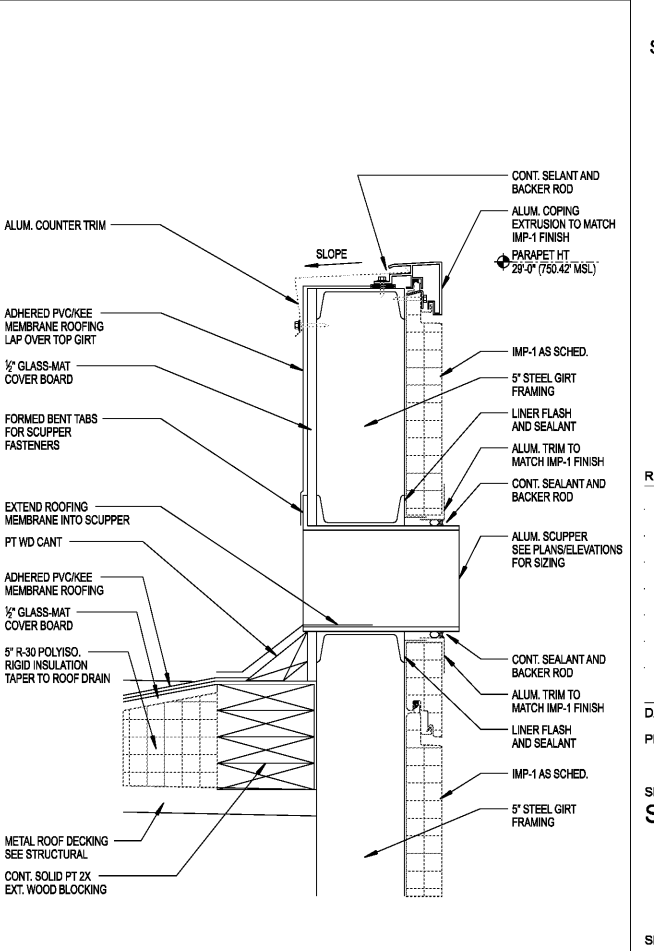
14 A-421 **WPS DETAIL** 3"=1'-0"



2 A-511 **GUTTER DETAIL** 3"=1'-0"



1 A-511 **SWB-1 BASE DETAIL** 3"=1'-0"



4 A-421 **SECTION DETAIL** 3"=1'-0"

Order Plans @ [wawline.com](mailto:info@wawline.com)