

**WILSON AIR CENTER
NORTH TERMINAL**

HCDT
CHARLOTTE-DORRIS
INTERNATIONAL AIRPORT
5327 MARSH FIELD DRIVE
CHARLOTTE, NC 28203



THE WILSON GROUP
ARCHITECTS

PO BOX 5510 CHARLOTTE, NC 28209
704-331-8747 • www.wilgrouparchitects.com

CIVIL ENGINEER
TALBERT, BRIGHT & ELLINGTON
3525 WHITEHALL PARK DRIVE, SUITE 210
CHARLOTTE, NC 28273
(704) 425-8070 FIRM NO.: C-1183

STRUCTURAL ENGINEER
STEWART
101 N. TRYON ST., SUITE 1400
CHARLOTTE, NC 28202
(704) 389-3523 FIRM NO.: C-1051

MECHANICAL, ELECTRICAL, PLUMBING &
FIRE PROTECTION ENGINEER
SABER ENGINEERING
2923 S. TRYON ST., SUITE 200
CHARLOTTE, NC 28203
(704) 373-0088 FIRM NO.: C-2130

LANDSCAPE ARCHITECT
URBAN DESIGN PARTNERS
1315-BB CENTRAL AVENUE
CHARLOTTE, NC 28205
(704) 334-3303 FIRM NO. C-TBD

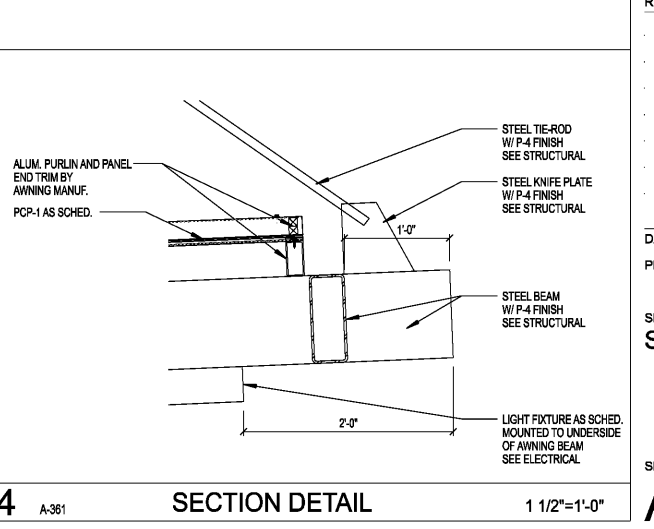
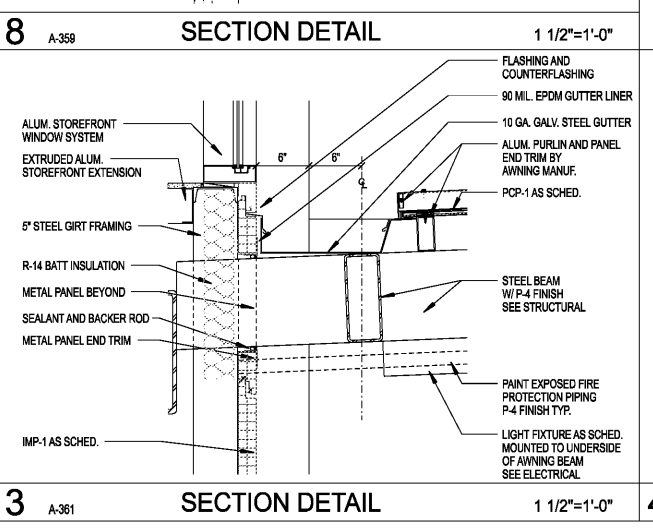
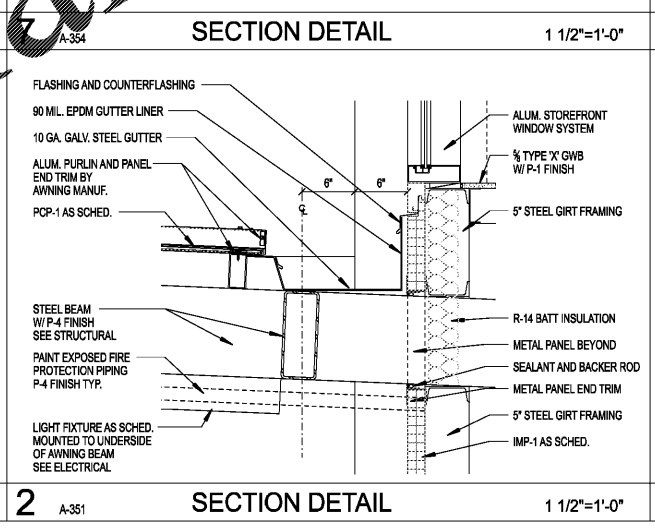
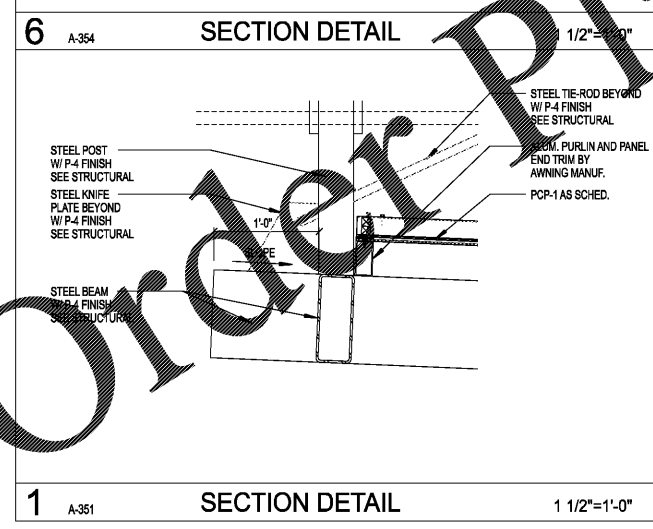
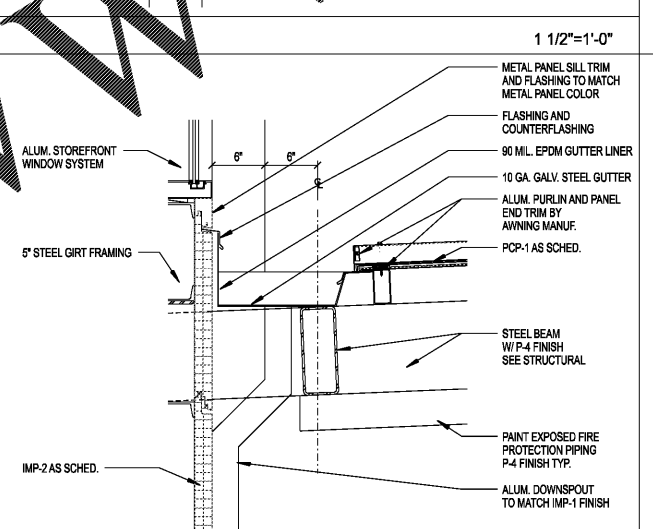
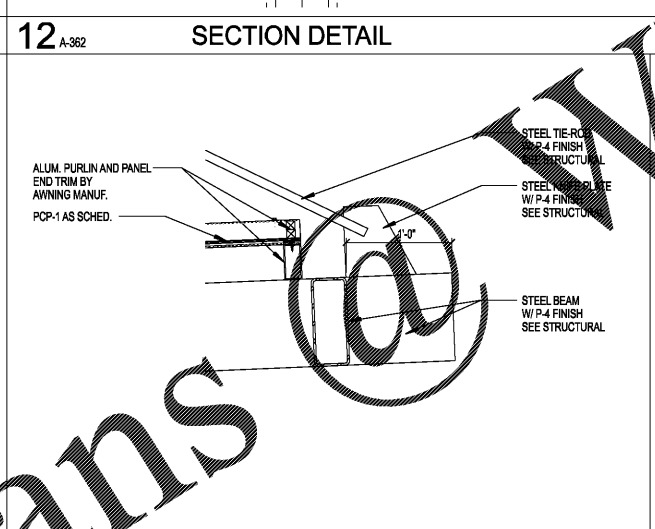
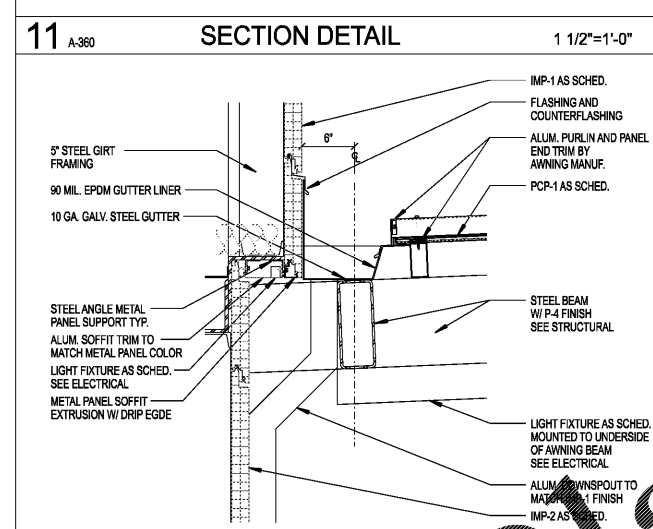
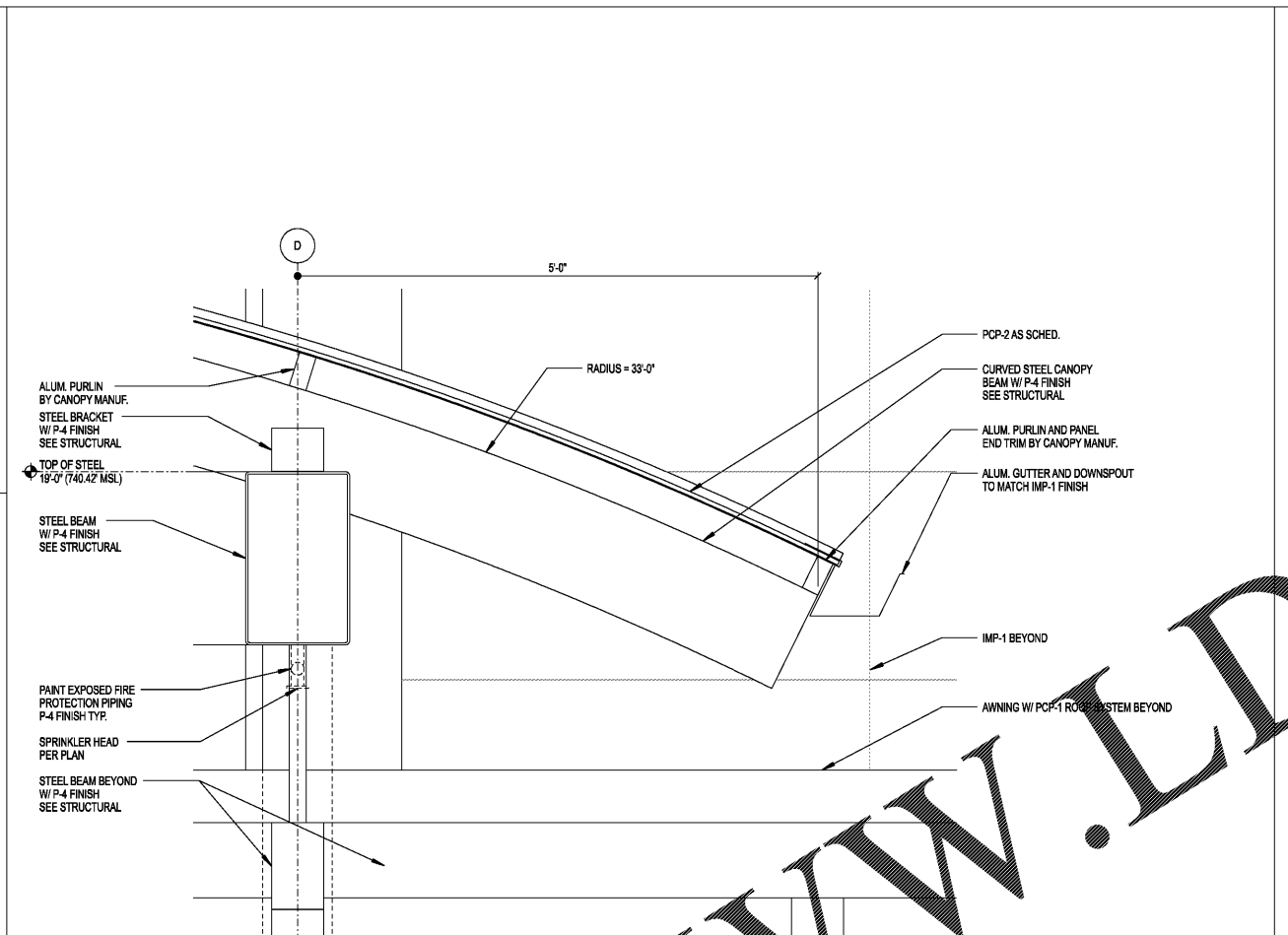
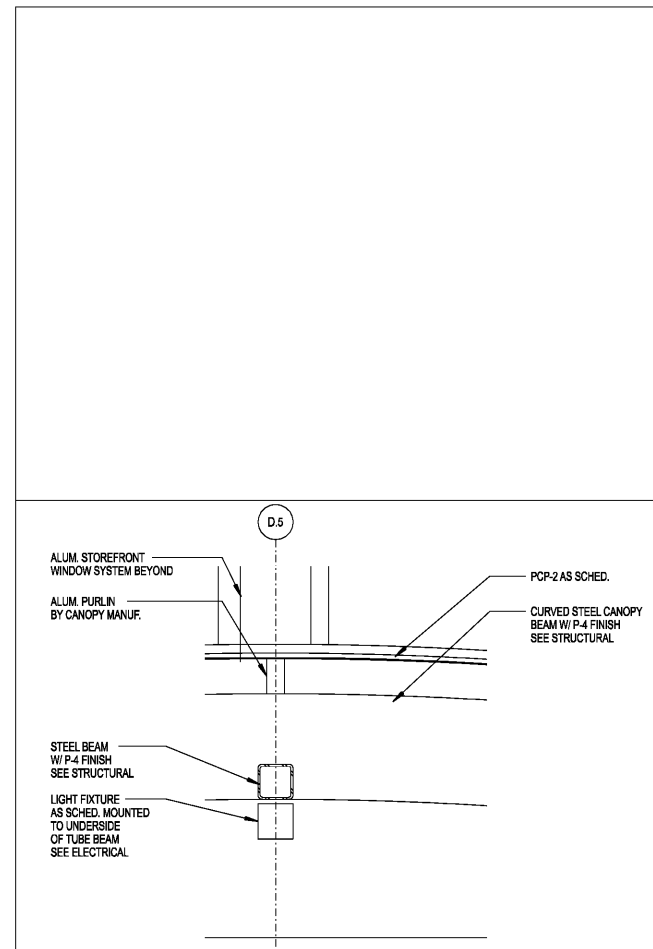
COMMUNICATIONS INFRASTRUCTURE
DB CONSULTING
248 LOVE'S FARM ROAD
BLACKSBURG, SC 29702
(704) 497-7228 FIRM NO. C-TBD

REVISIONS

DATE DECEMBER 7, 2018
PROJECT NUMBER 9197-000

SHEET TITLE
SECTION DETAILS

SHEET NUMBER
A-515



Order Plans

WWW.LDILine.com