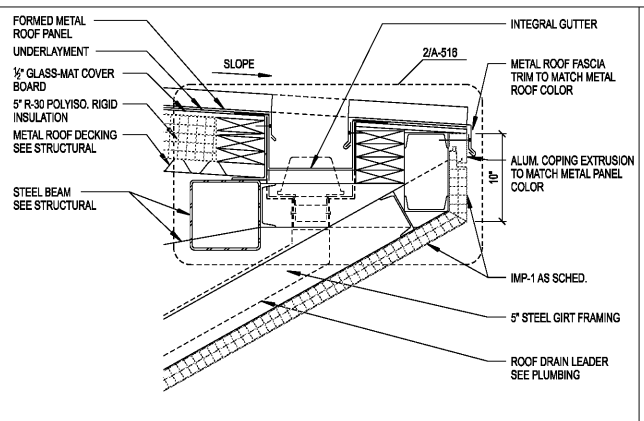
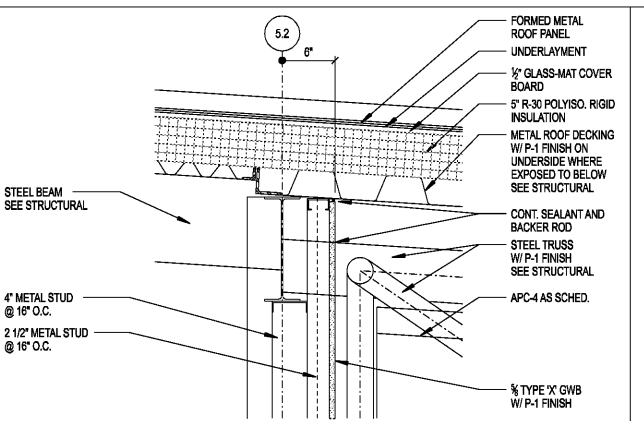


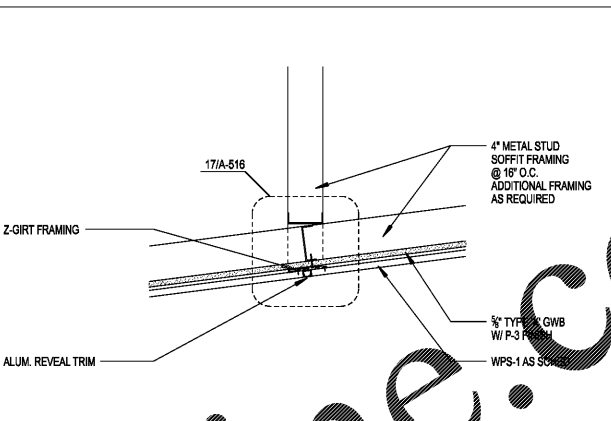
16 SECTION DETAIL 1 1/2"=1'-0"



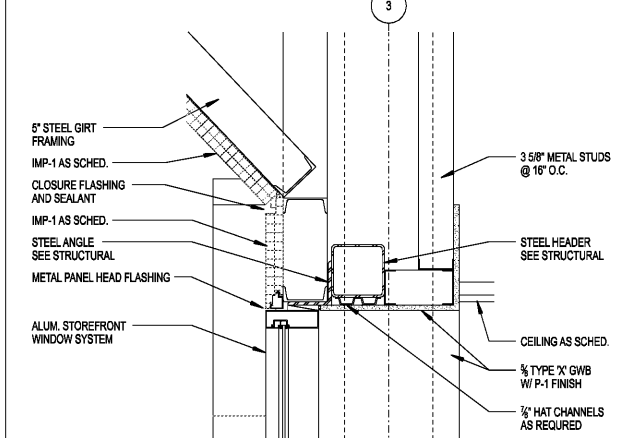
17 SECTION DETAIL 1 1/2"=1'-0"



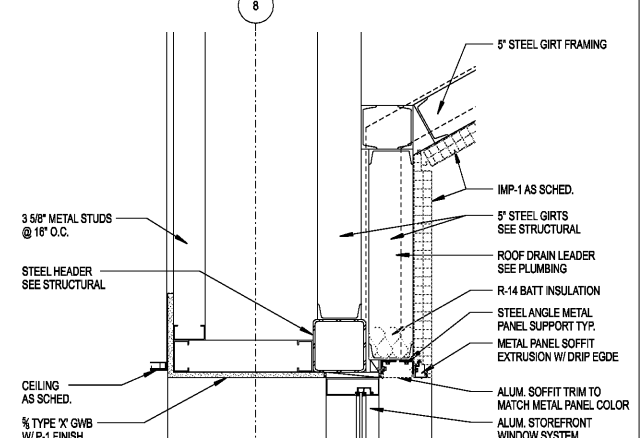
18 SECTION DETAIL 1 1/2"=1'-0"



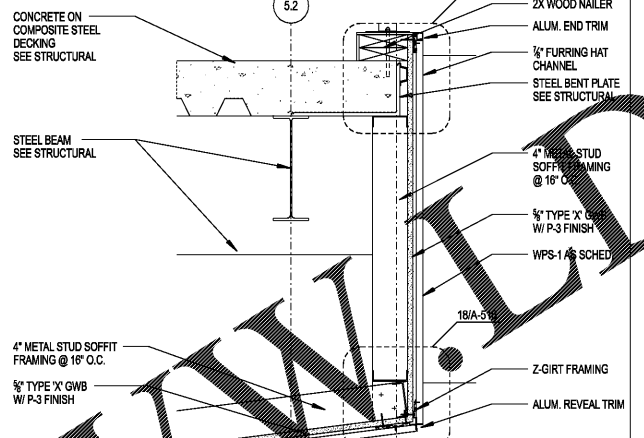
19 SECTION DETAIL 1 1/2"=1'-0"



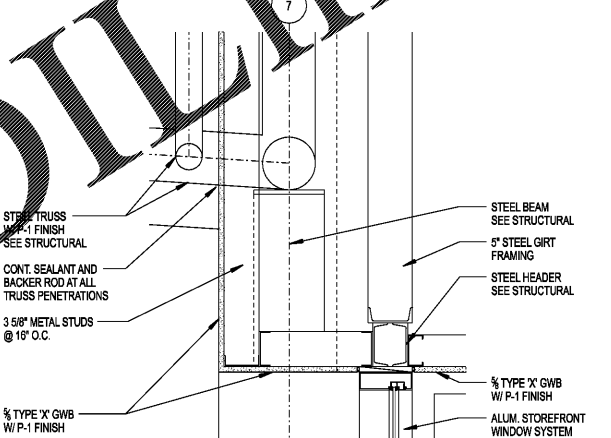
11 SECTION DETAIL 1 1/2"=1'-0"



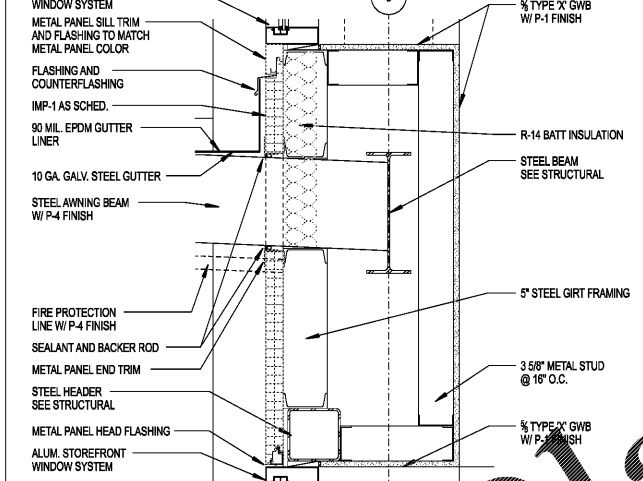
12 SECTION DETAIL 1 1/2"=1'-0"



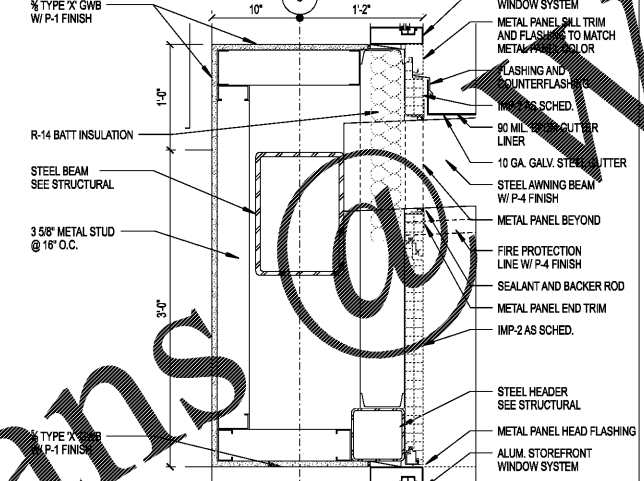
13 SECTION DETAIL 1 1/2"=1'-0"



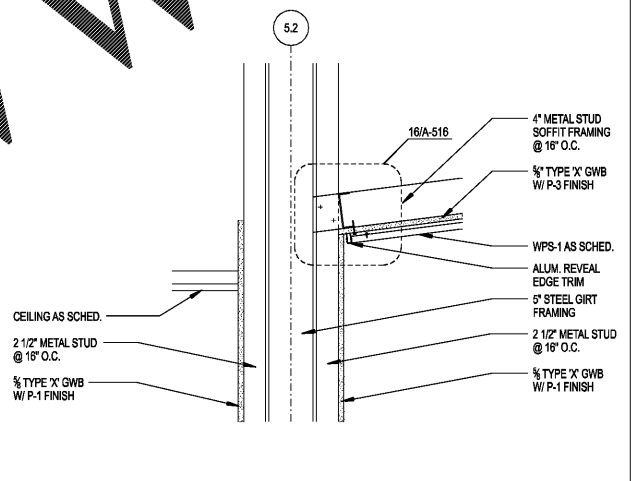
14 SECTION DETAIL 1 1/2"=1'-0"



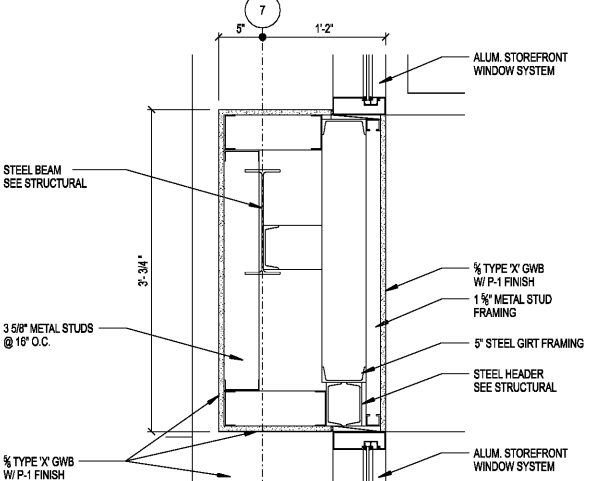
6 SECTION DETAIL 1 1/2"=1'-0"



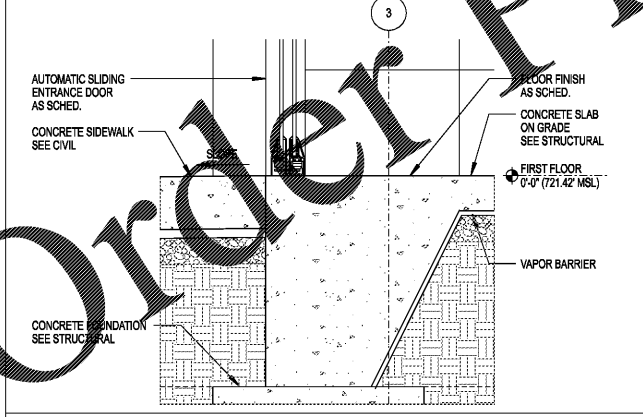
7 SECTION DETAIL 1 1/2"=1'-0"



8 SECTION DETAIL 1 1/2"=1'-0"



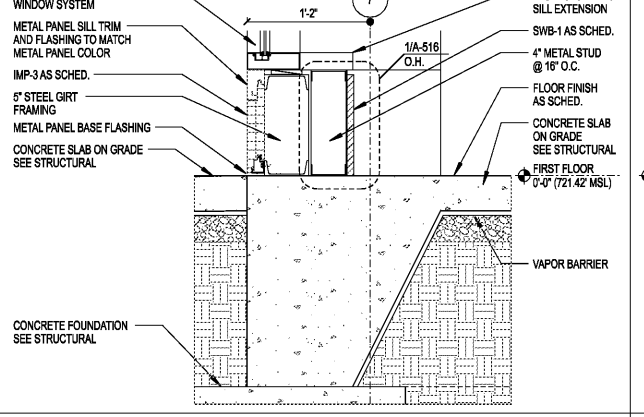
9 SECTION DETAIL 1 1/2"=1'-0"



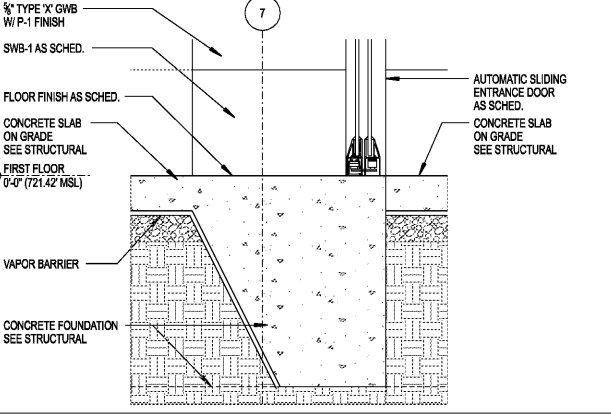
1 SECTION DETAIL 1 1/2"=1'-0"



3 SECTION DETAIL 1 1/2"=1'-0"



4 SECTION DETAIL 1 1/2"=1'-0"



5 SECTION DETAIL 1 1/2"=1'-0"

**WILSON AIR CENTER**  
**NORTH TERMINAL**  
 HCDDT  
 CHARLOTTE-COLUMBIAS  
 INTERNATIONAL AIRPORT  
 5327 MOUNTAIN VIEW DRIVE  
 CHARLOTTE, NC 28203

THE WILSON GROUP ARCHITECTS  
 ARCHITECTS  
 CERT. NO. 51143  
 STATE OF NORTH CAROLINA  
 CHARLOTTE, N.C.

WALKER  
 ARCHITECTS  
 9273  
 CHARLOTTE, N.C.

ARCHITECT

**THE WILSON GROUP**  
 ARCHITECTS

PO BOX 5510 CHARLOTTE, NC 28229  
 704-331-8747 • www.wilgroup.com

CIVIL ENGINEER

**TALBERT, BRIGHT & ELLINGTON**

3525 WHITEHALL PARK DRIVE, SUITE 210  
 CHARLOTTE, NC 28273  
 (704) 425-8070 FIRM NO. C-1183

STRUCTURAL ENGINEER

**STEWART**

101 N. TRYON ST., SUITE 1400  
 CHARLOTTE, NC 28202  
 (704) 389-3523 FIRM NO. C-1051

MECHANICAL, ELECTRICAL, PLUMBING & FIRE PROTECTION ENGINEER

**SABER ENGINEERING**

2923 S. TRYON ST., SUITE 280  
 CHARLOTTE, NC 28203  
 (704) 373-0068 FIRM NO. C-2130

LANDSCAPE ARCHITECT

**URBAN DESIGN PARTNERS**

1315-B CENTRAL AVENUE  
 CHARLOTTE, NC 28205  
 (704) 334-3303 FIRM NO. C-TBD

COMMUNICATIONS INFRASTRUCTURE

**DB CONSULTING**

246 LOVES FARM ROAD  
 BLACKSBURG, SC 29702  
 (704) 497-7228 FIRM NO. C-TBD

REVISIONS

DATE DECEMBER 7, 2018  
 PROJECT NUMBER 9197-000

SHEET TITLE  
**SECTION DETAILS**

SHEET NUMBER  
**A-511**

Order Plans @ [www.wilgroup.com](http://www.wilgroup.com)