



ARCHITECT
THE WILSON GROUP
ARCHITECTS

PO BOX 5510 CHARLOTTE, NC 28209
704-331-8747 • www.thewilsongroup.com

CIVIL ENGINEER
TALBERT, BRIGHT & ELLINGTON
3525 WHITEHALL PARK DRIVE, SUITE 210
CHARLOTTE, NC 28273
(704) 425-8070 FIRM NO.: C-1183

STRUCTURAL ENGINEER
STEWART
101 N. TRYON ST., SUITE 1400
CHARLOTTE, NC 28202
(704) 389-3523 FIRM NO.: C-1051

MECHANICAL, ELECTRICAL, PLUMBING & FIRE PROTECTION ENGINEER
SABER ENGINEERING
2923 S. TRYON ST., SUITE 280
CHARLOTTE, NC 28203
(704) 373-0068 FIRM NO.: C-2130

LANDSCAPE ARCHITECT
URBAN DESIGN PARTNERS
1315-BB CENTRAL AVENUE
CHARLOTTE, NC 28205
(704) 334-3303 FIRM NO.: C-TBD

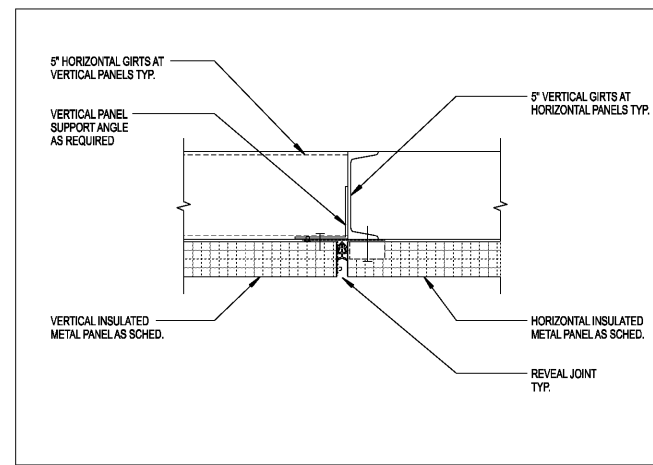
COMMUNICATIONS INFRASTRUCTURE
DB CONSULTING
246 LOVES FARM ROAD
BLACKSBURG, SC 29702
(704) 497-7228 FIRM NO.: C-TBD

REVISIONS

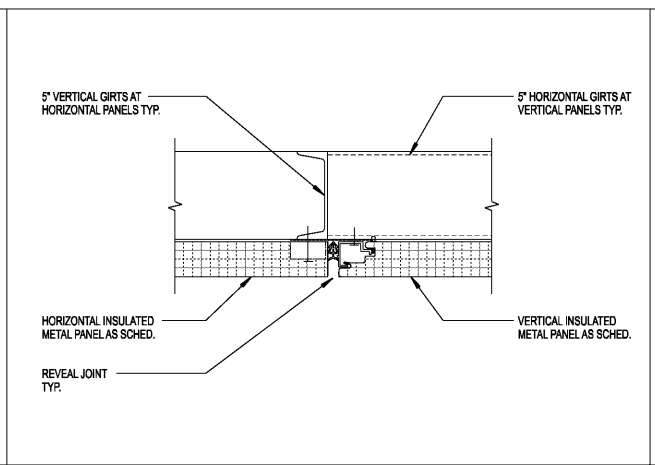
DATE DECEMBER 7, 2018
PROJECT NUMBER 9197-000

SHEET TITLE
PLAN DETAILS

SHEET NUMBER
A-504



16 PLAN DETAIL 3"=1'-0"



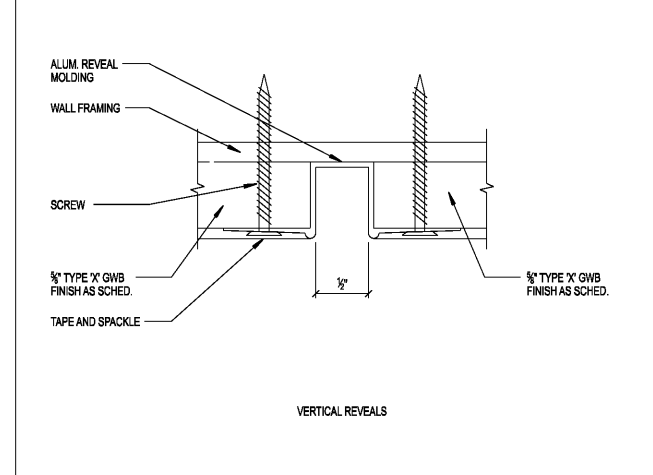
17 PLAN DETAIL 3"=1'-0"



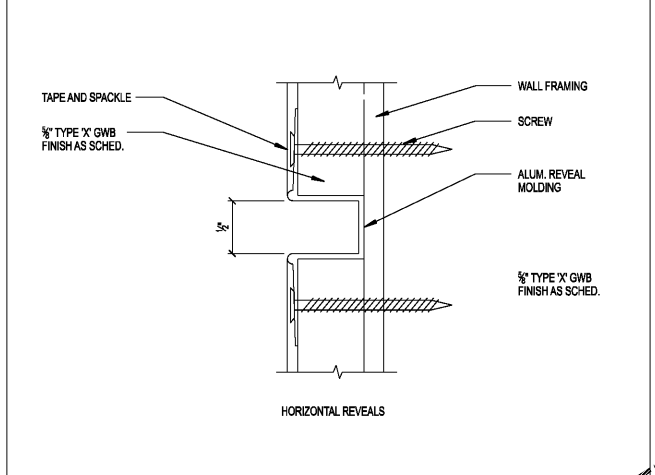
18 PLAN DETAIL 1 1/2"=1'-0"



19 PLAN DETAIL 1 1/2"=1'-0"



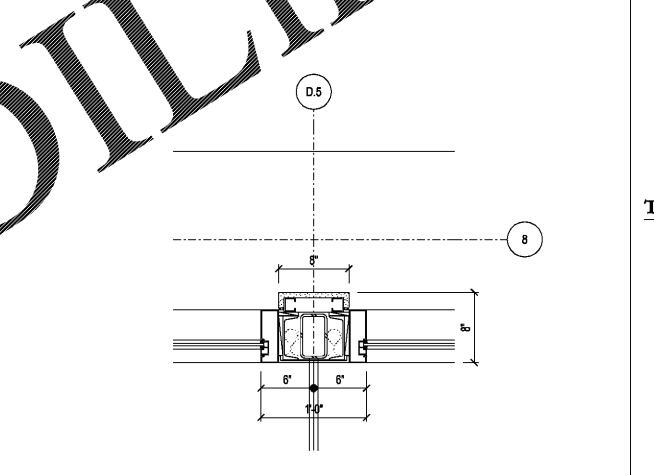
11 PLAN DETAIL AT REVEAL FULL SIZE



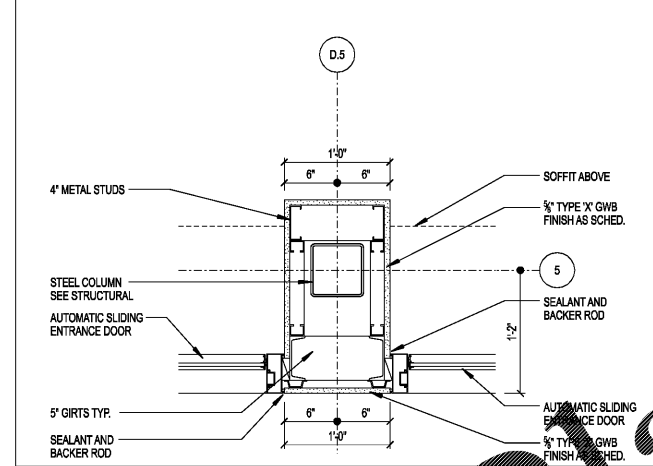
12 SECTION DETAIL AT REVEAL FULL SIZE



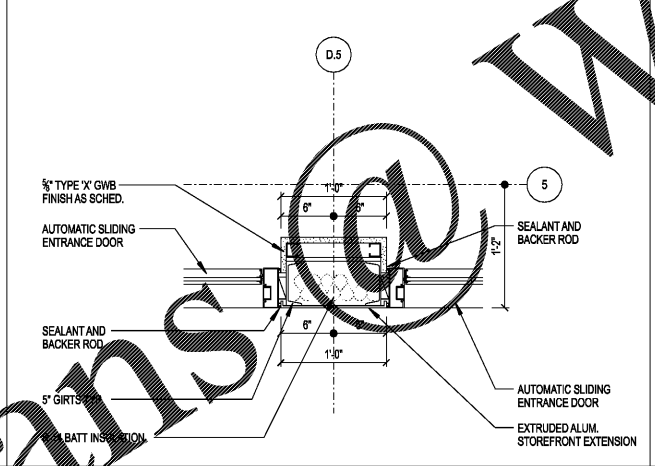
14 PLAN DETAIL 1 1/2"=1'-0"



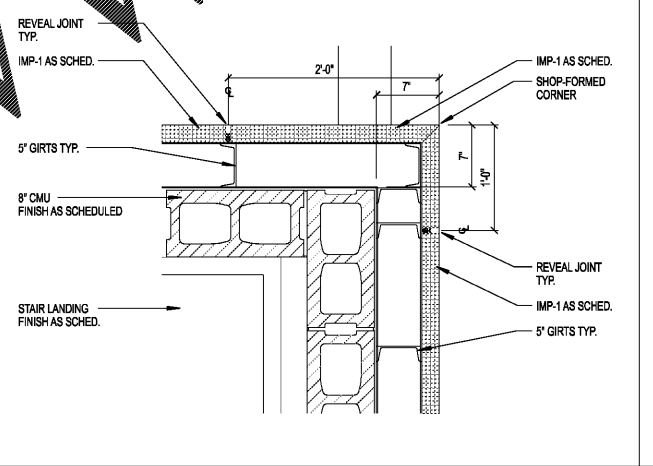
14 PLAN DETAIL 1 1/2"=1'-0"



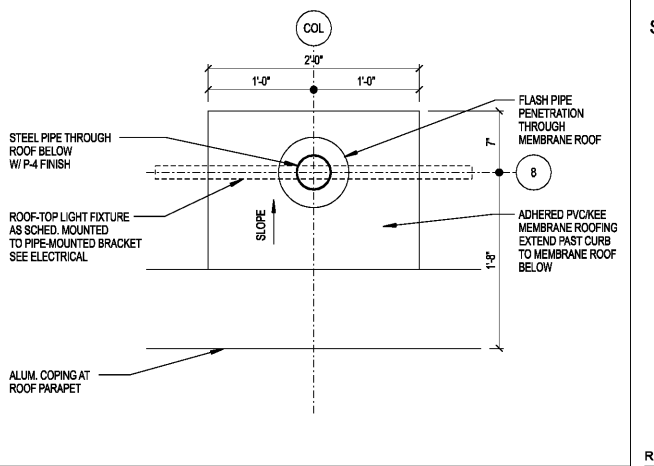
6 PLAN DETAIL 1 1/2"=1'-0"



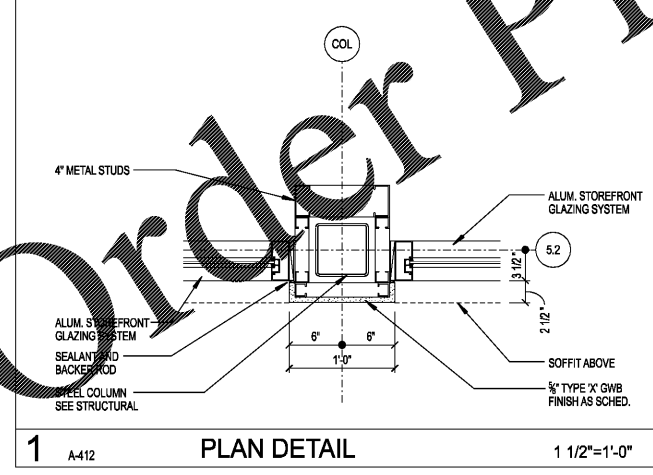
7 PLAN DETAIL 1 1/2"=1'-0"



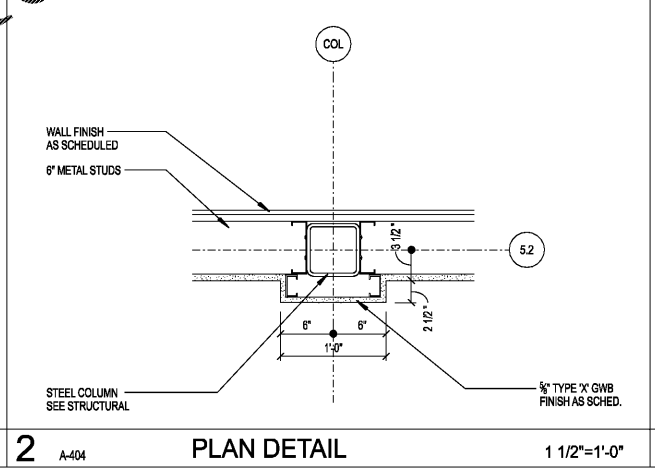
8 PLAN DETAIL 1 1/2"=1'-0"



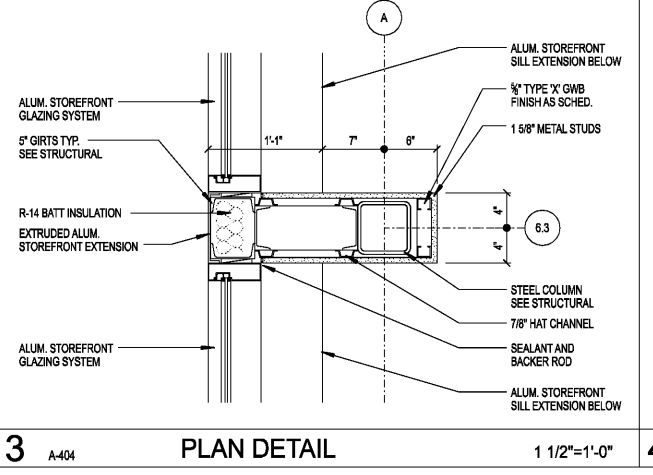
9 PLAN DETAIL 1 1/2"=1'-0"



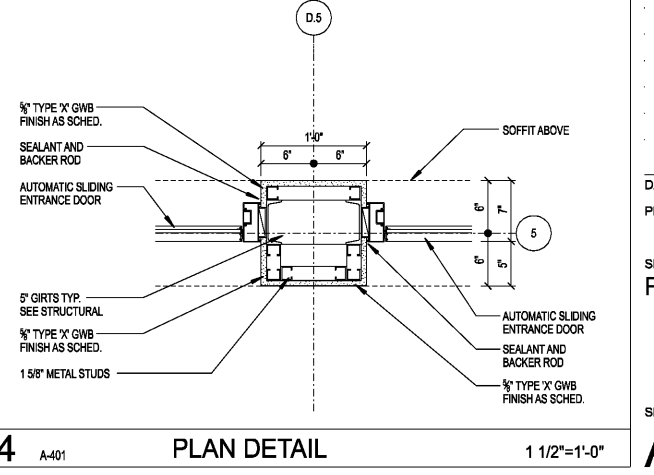
1 PLAN DETAIL 1 1/2"=1'-0"



2 PLAN DETAIL 1 1/2"=1'-0"



3 PLAN DETAIL 1 1/2"=1'-0"



4 PLAN DETAIL 1 1/2"=1'-0"

Order Plans @

WWW.LDILine.com