

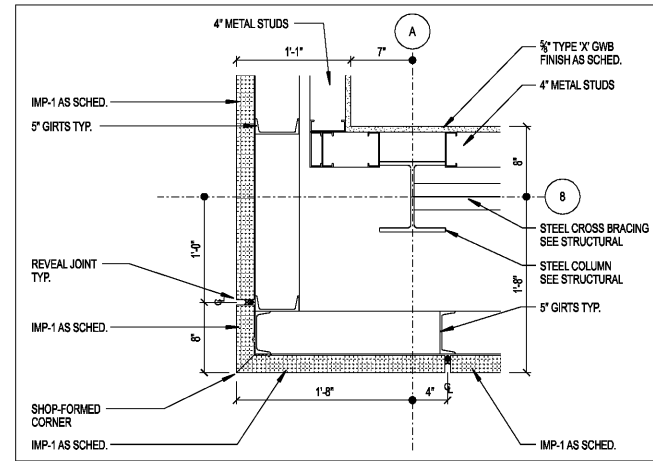


REVISIONS

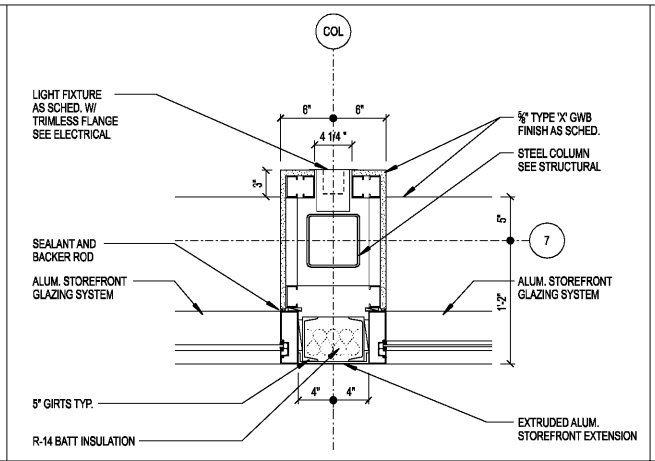
DATE DECEMBER 7, 2018  
PROJECT NUMBER 9197-000

SHEET TITLE  
PLAN DETAILS

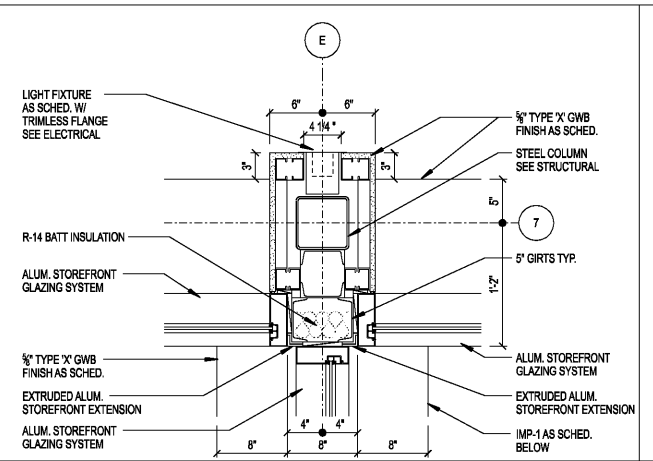
SHEET NUMBER  
A-503



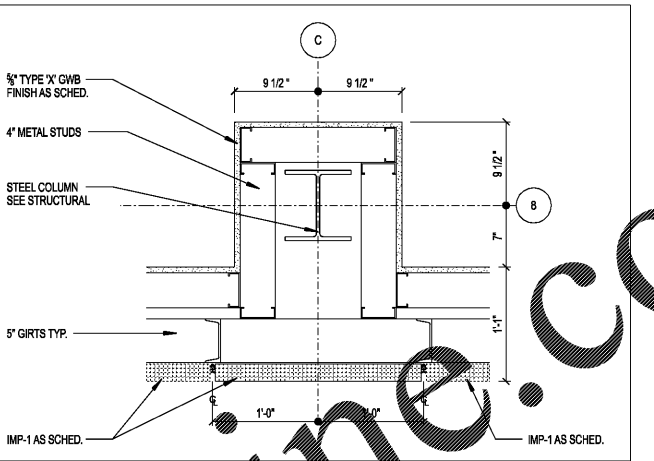
16 PLAN DETAIL 1 1/2"=1'-0"



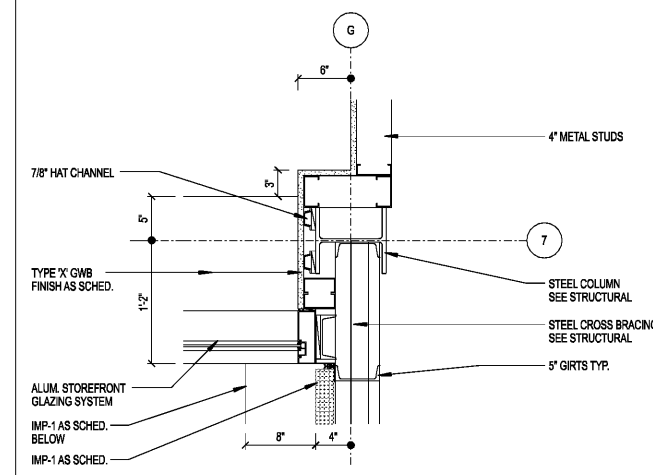
17 PLAN DETAIL 1 1/2"=1'-0"



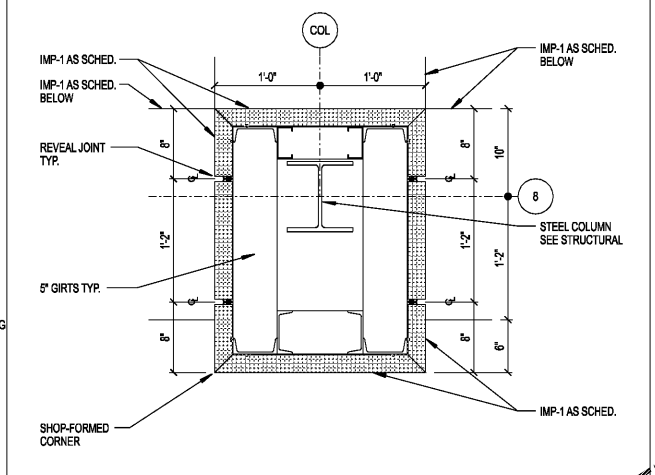
18 PLAN DETAIL 1 1/2"=1'-0"



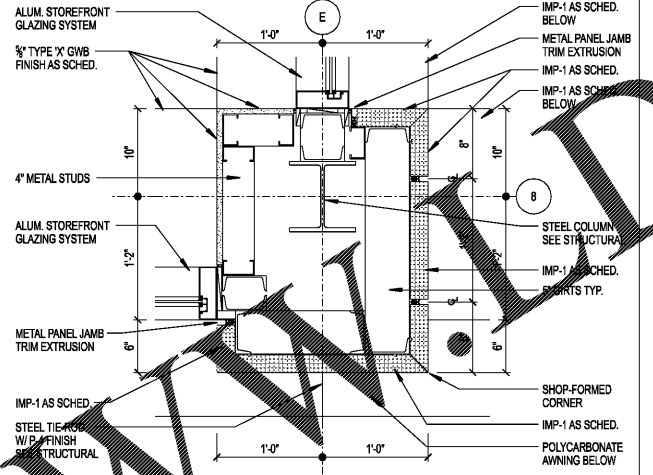
19 PLAN DETAIL 1 1/2"=1'-0"



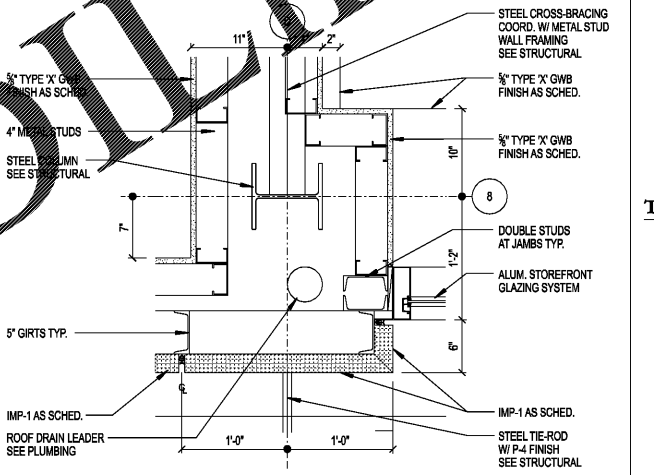
11 PLAN DETAIL 1 1/2"=1'-0"



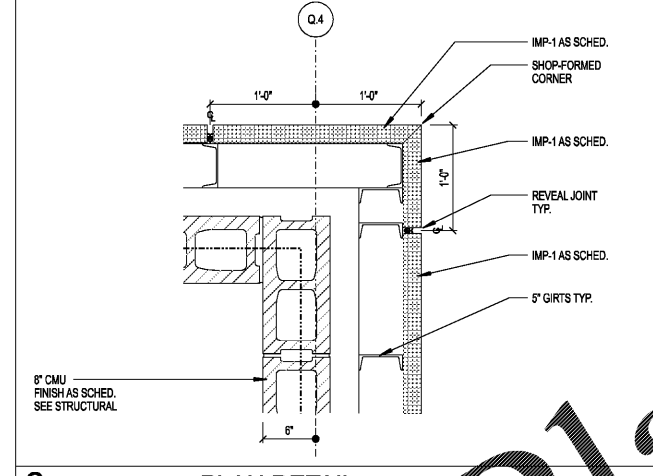
12 PLAN DETAIL 1 1/2"=1'-0"



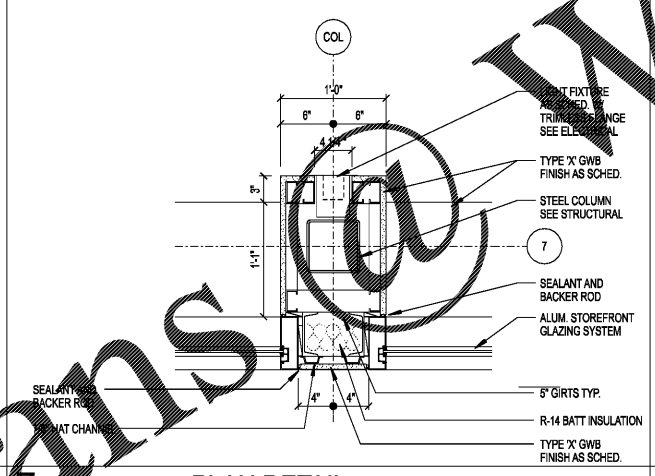
13 PLAN DETAIL 1 1/2"=1'-0"



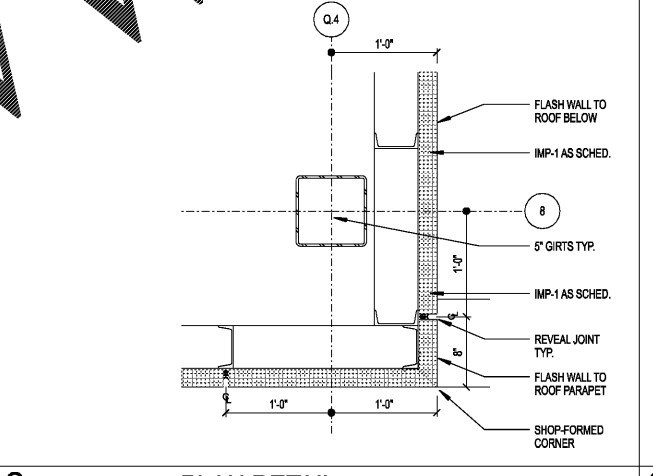
14 PLAN DETAIL 1 1/2"=1'-0"



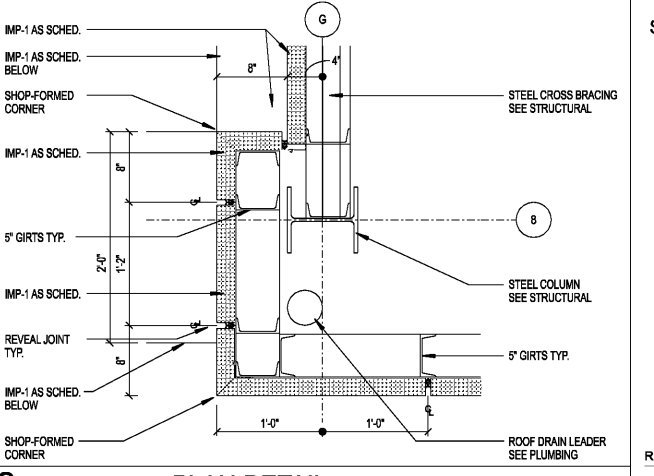
6 PLAN DETAIL 1 1/2"=1'-0"



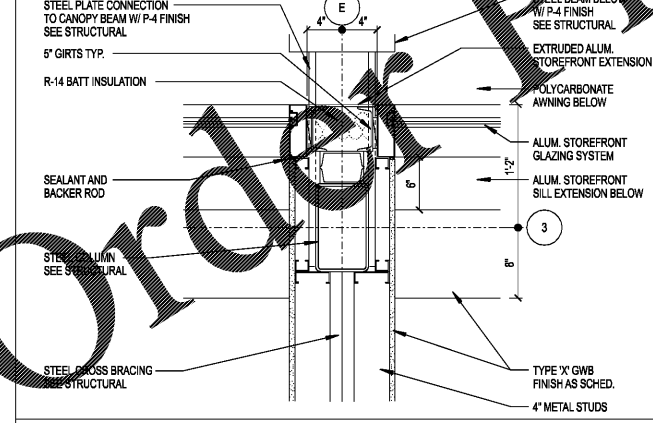
7 PLAN DETAIL 1 1/2"=1'-0"



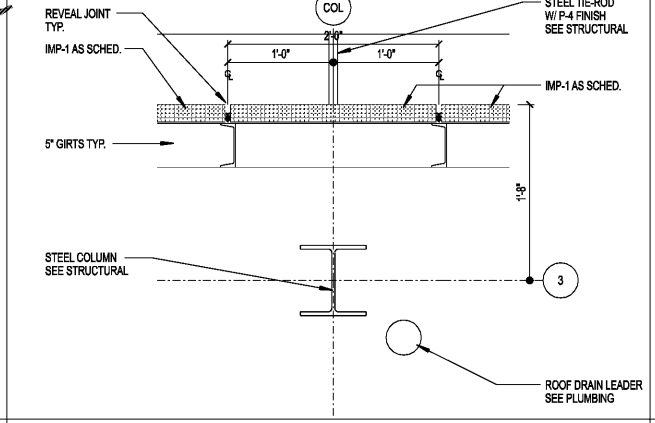
8 PLAN DETAIL 1 1/2"=1'-0"



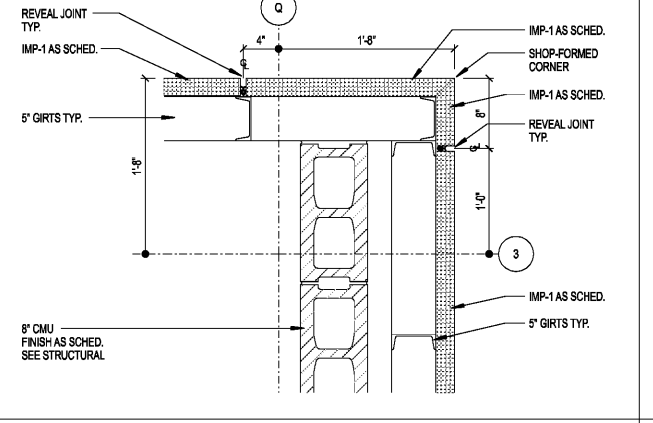
9 PLAN DETAIL 1 1/2"=1'-0"



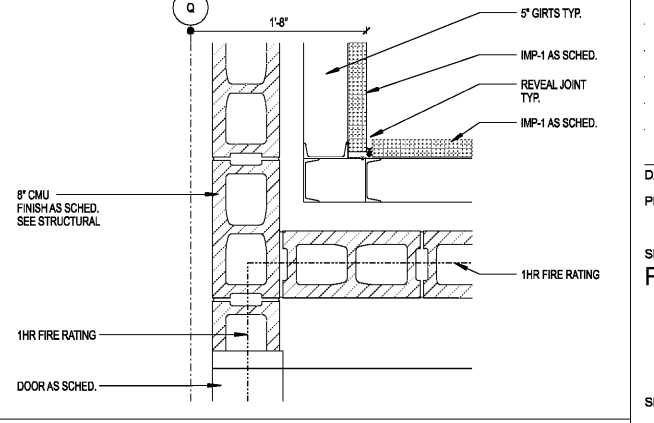
1 PLAN DETAIL 1 1/2"=1'-0"



2 PLAN DETAIL 1 1/2"=1'-0"



3 PLAN DETAIL 1 1/2"=1'-0"



4 PLAN DETAIL 1 1/2"=1'-0"

Order Plans @ [www.wilsonplans.com](http://www.wilsonplans.com)