



ARCHITECTS

PO BOX 5510 CHARLOTTE, NC 28229
704-331-8747 • www.wilgrouparchitects.com

CIVIL ENGINEER
TALBERT, BRIGHT & ELLINGTON
3525 WHITEHALL PARK DRIVE, SUITE 210
CHARLOTTE, NC 28273
(704) 425-8070 FIRM NO.: C-1183

STRUCTURAL ENGINEER
STEWART
101 N. TRYON ST., SUITE 1400
CHARLOTTE, NC 28202
(704) 389-3523 FIRM NO.: C-1051

MECHANICAL, ELECTRICAL, PLUMBING & FIRE PROTECTION ENGINEER
SABER ENGINEERING
2923 S. TRYON ST., SUITE 280
CHARLOTTE, NC 28203
(704) 373-0088 FIRM NO.: C-2130

LANDSCAPE ARCHITECT
URBAN DESIGN PARTNERS
1315-B CENTRAL AVENUE
CHARLOTTE, NC 28205
(704) 334-3303 FIRM NO.: C-TBD

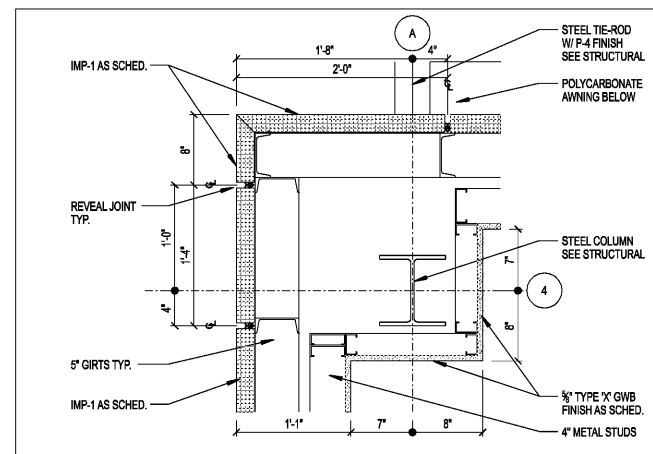
COMMUNICATIONS INFRASTRUCTURE
DB CONSULTING
246 LOVES FARM ROAD
BLACKSBURG, SC 29702
(704) 497-7228 FIRM NO.: C-TBD

REVISIONS

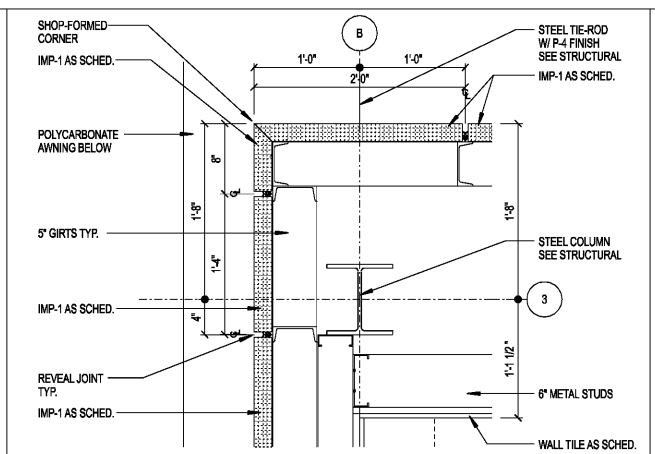
DATE DECEMBER 7, 2018
PROJECT NUMBER 9197-000

SHEET TITLE
PLAN DETAILS

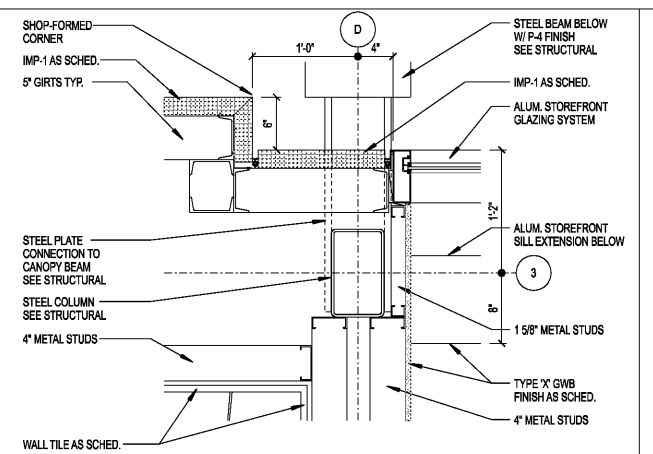
SHEET NUMBER
A-502



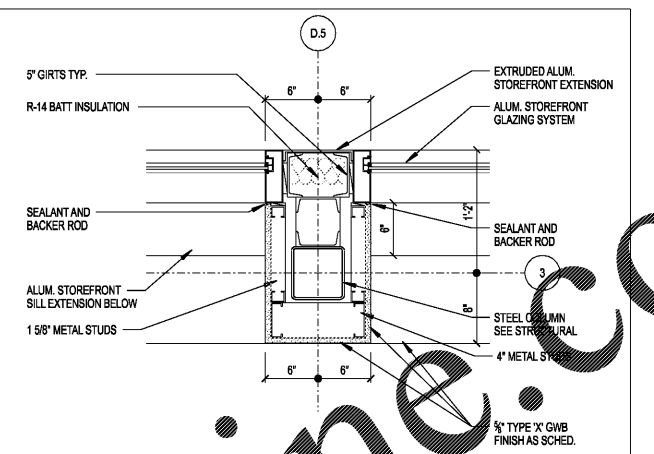
16 A-404 PLAN DETAIL 1 1/2"=1'-0"



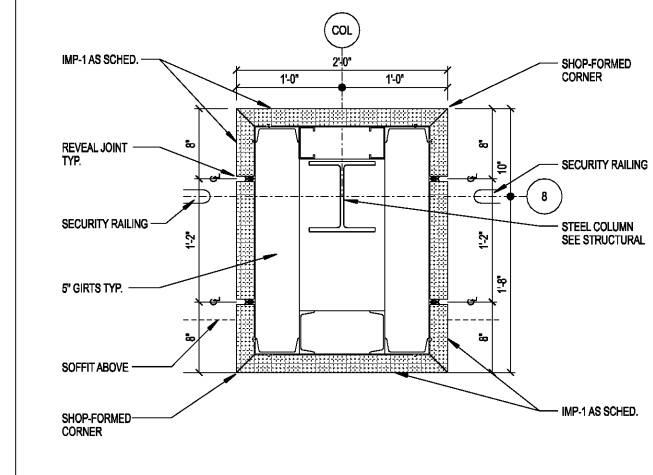
17 A-412 PLAN DETAIL 1 1/2"=1'-0"



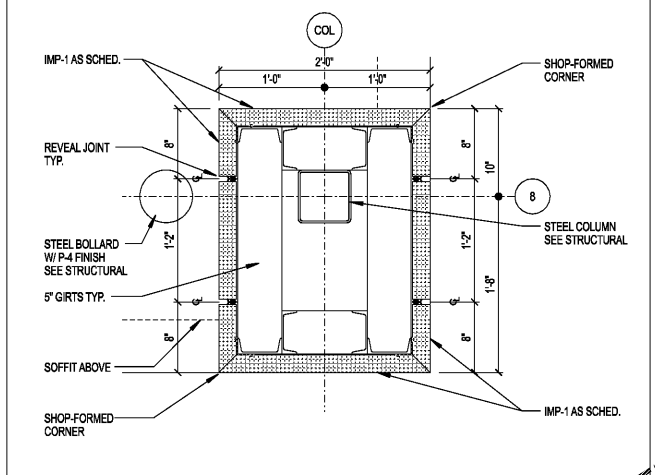
18 A-404 PLAN DETAIL 1 1/2"=1'-0"



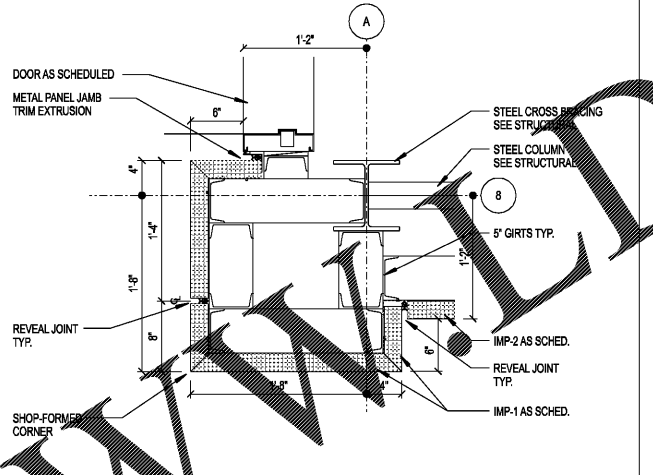
19 A-404 PLAN DETAIL 1 1/2"=1'-0"



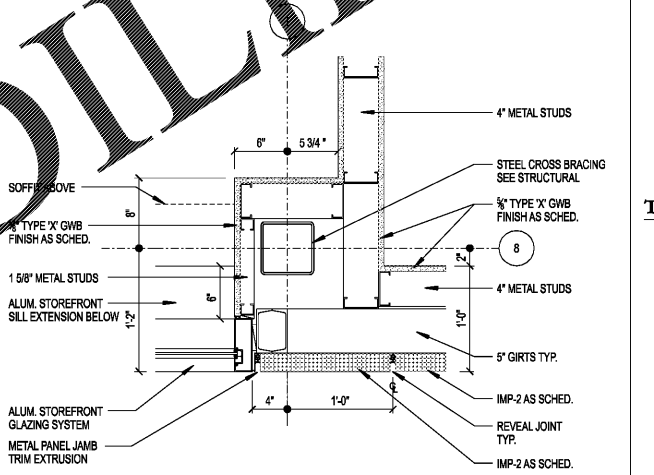
11 A-401 PLAN DETAIL 1 1/2"=1'-0"



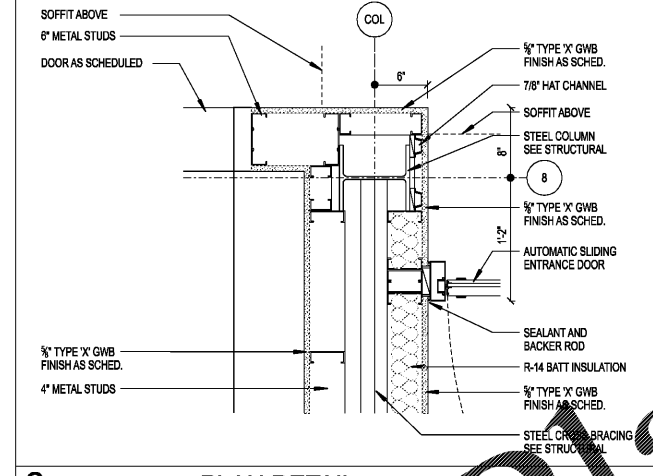
12 A-403 PLAN DETAIL 1 1/2"=1'-0"



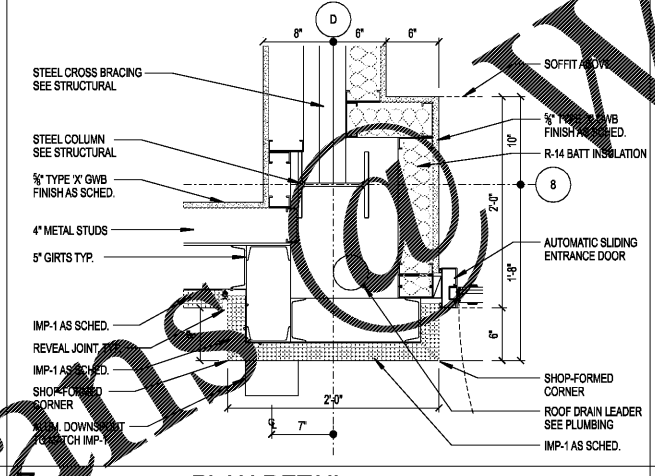
13 A-401 PLAN DETAIL 1 1/2"=1'-0"



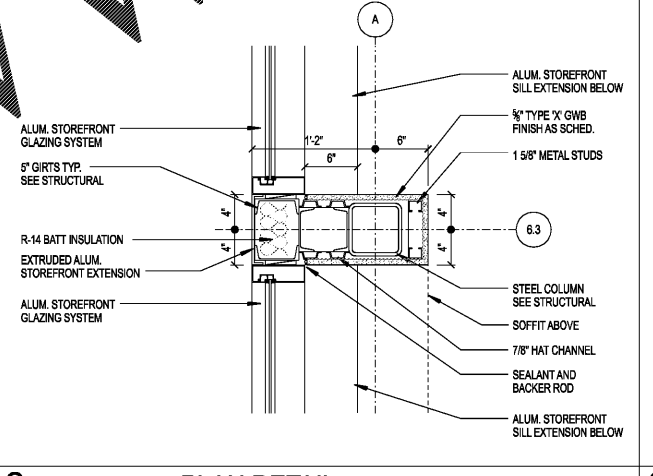
14 A-402 PLAN DETAIL 1 1/2"=1'-0"



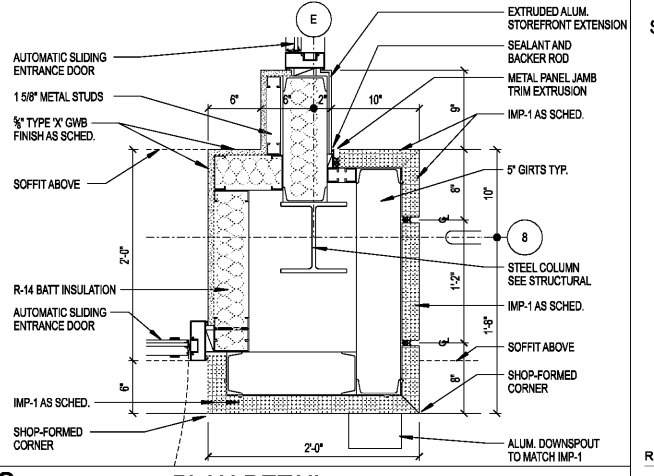
8 PLAN DETAIL 1 1/2"=1'-0"



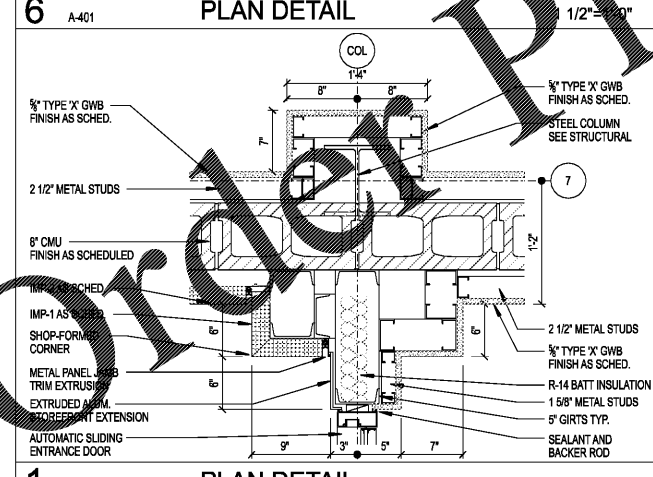
13 A-401 PLAN DETAIL 1 1/2"=1'-0"



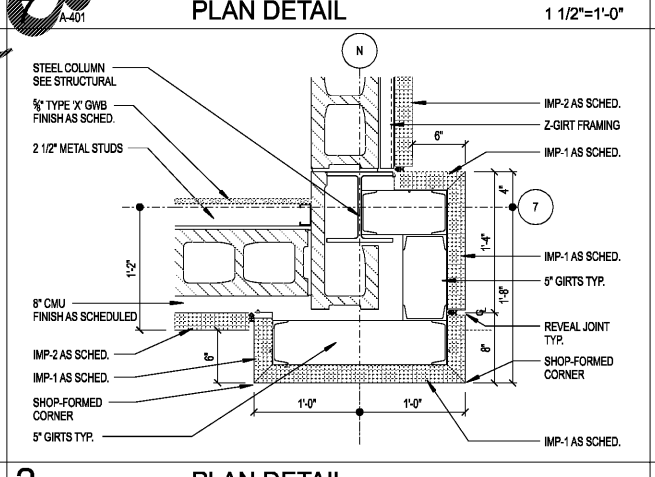
6.3 PLAN DETAIL 1 1/2"=1'-0"



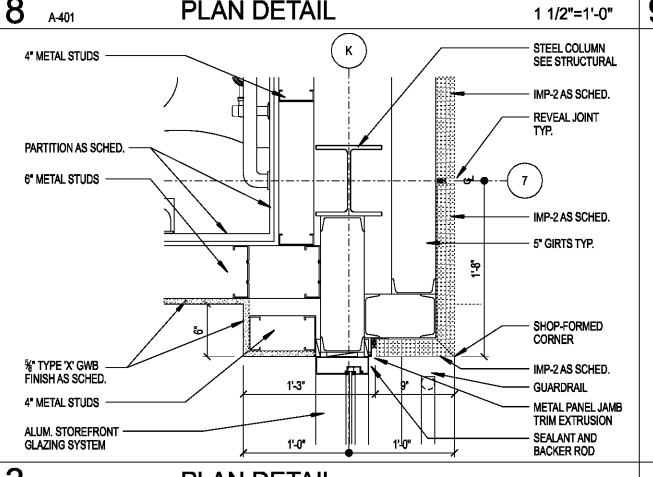
8 PLAN DETAIL 1 1/2"=1'-0"



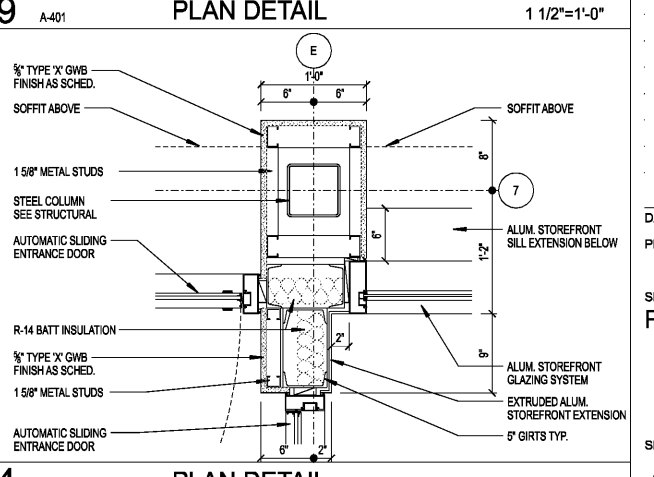
7 PLAN DETAIL 1 1/2"=1'-0"



7 PLAN DETAIL 1 1/2"=1'-0"



7 PLAN DETAIL 1 1/2"=1'-0"



7 PLAN DETAIL 1 1/2"=1'-0"



1 A-402 PLAN DETAIL 1 1/2"=1'-0"



2 A-403 PLAN DETAIL 1 1/2"=1'-0"



3 A-402 PLAN DETAIL 1 1/2"=1'-0"



4 A-401 PLAN DETAIL 1 1/2"=1'-0"