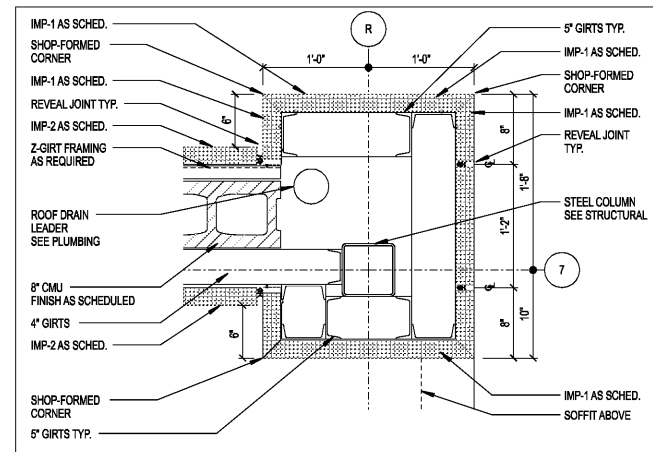


REVISIONS

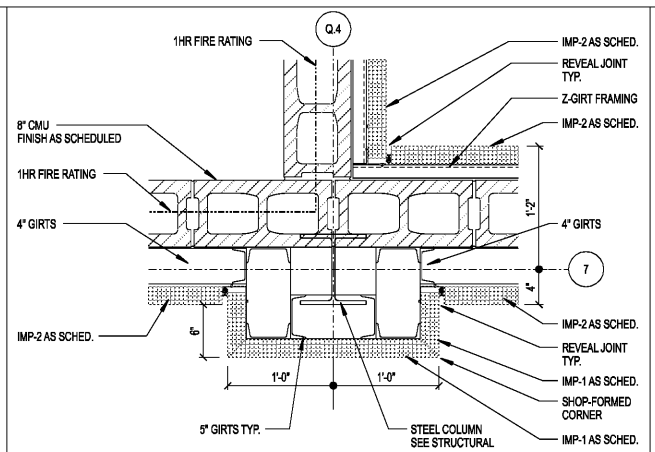
DATE DECEMBER 7, 2018  
PROJECT NUMBER 9197-000

SHEET TITLE  
**PLAN DETAILS**

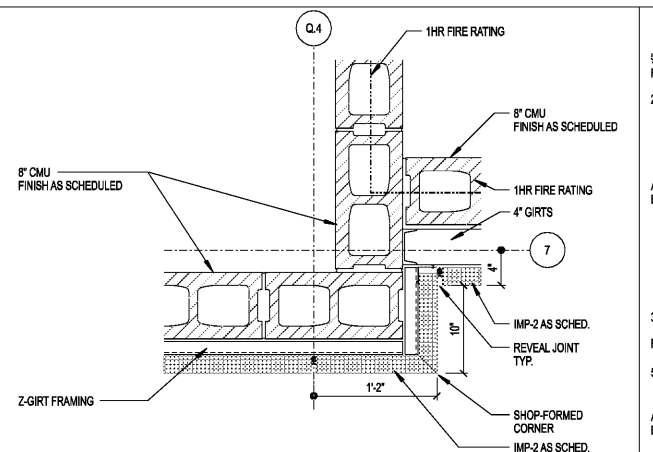
SHEET NUMBER  
**A-501**



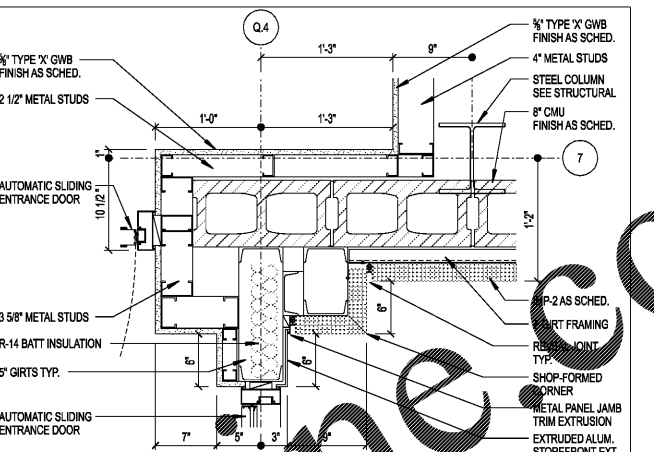
**16** A-403 **PLAN DETAIL** 1 1/2"=1'-0"



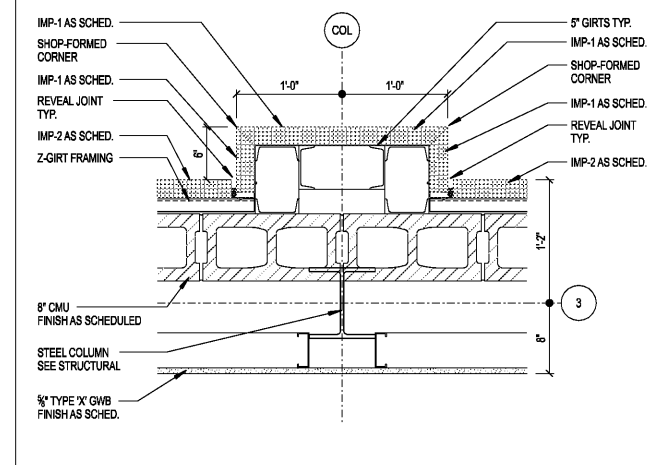
**17** A-431 **PLAN DETAIL** 1 1/2"=1'-0"



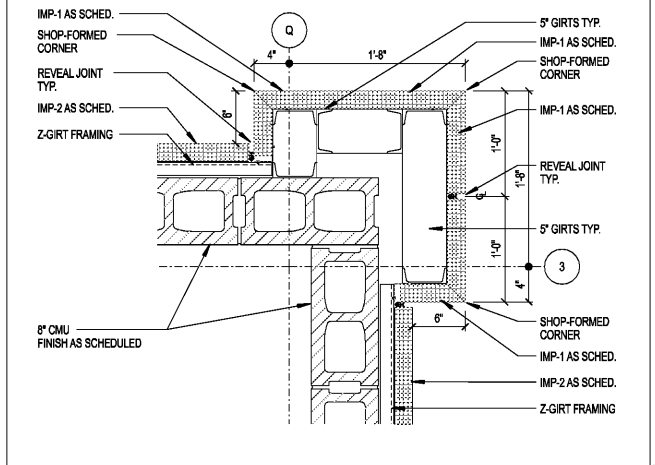
**18** A-403 **PLAN DETAIL** 1 1/2"=1'-0"



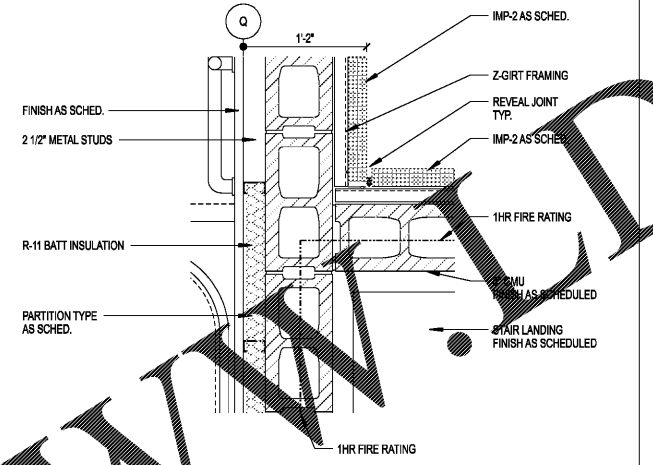
**19** A-403 **PLAN DETAIL** 1 1/2"=1'-0"



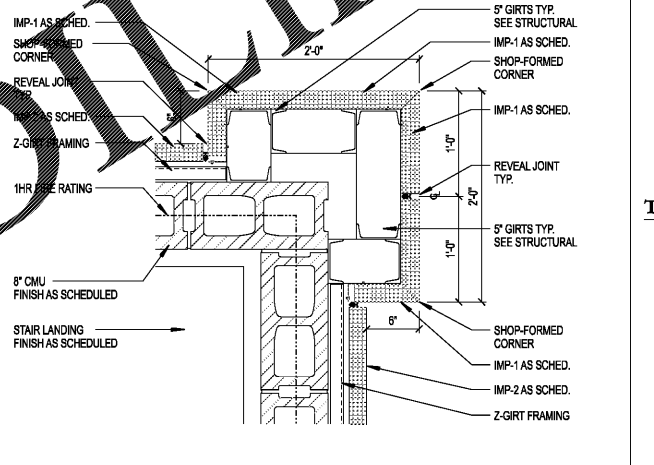
**11** A-402 **PLAN DETAIL** 1 1/2"=1'-0"



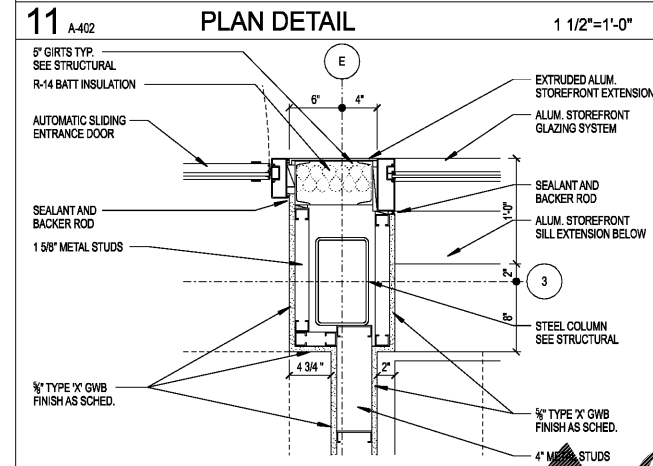
**12** A-403 **PLAN DETAIL** 1 1/2"=1'-0"



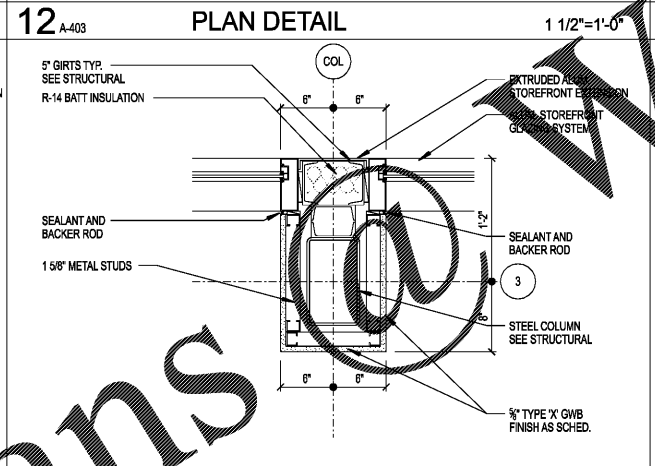
**13** A-403 **PLAN DETAIL** 1 1/2"=1'-0"



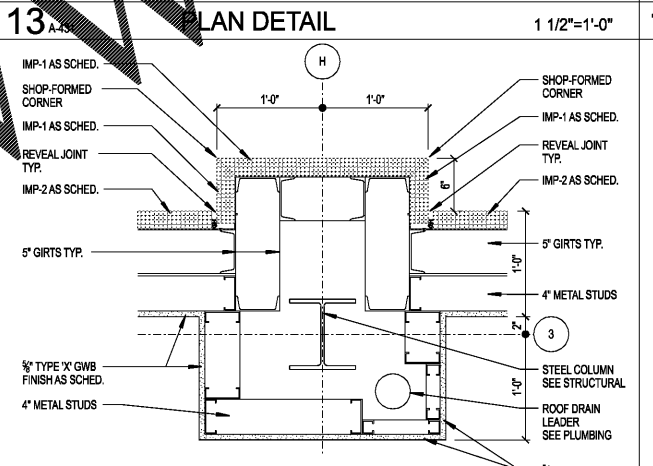
**14** A-431 **PLAN DETAIL** 1 1/2"=1'-0"



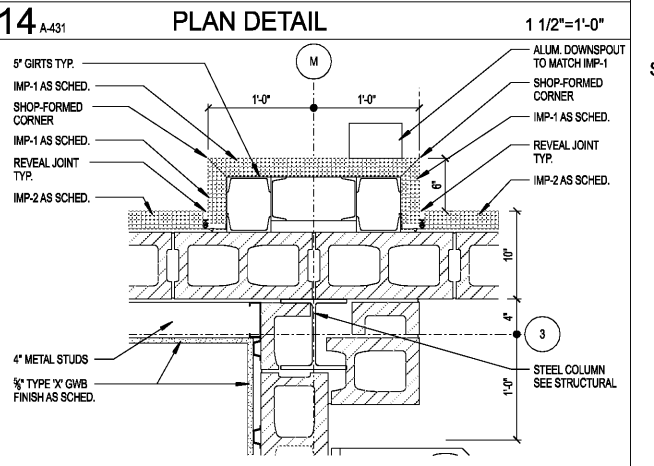
**6** A-401 **PLAN DETAIL** 1 1/2"=1'-0"



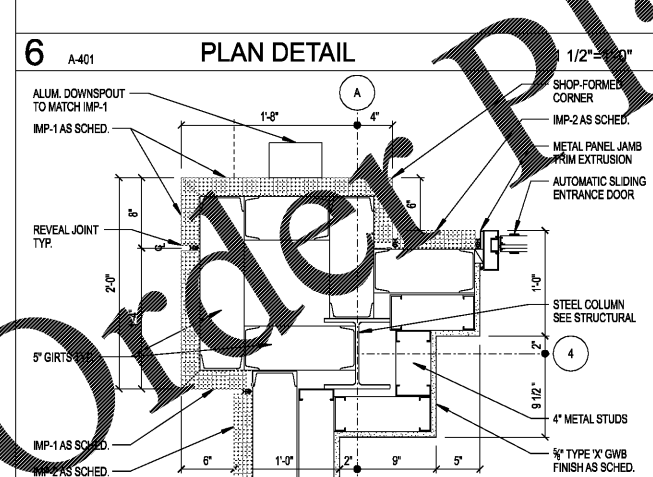
**7** A-401 **PLAN DETAIL** 1 1/2"=1'-0"



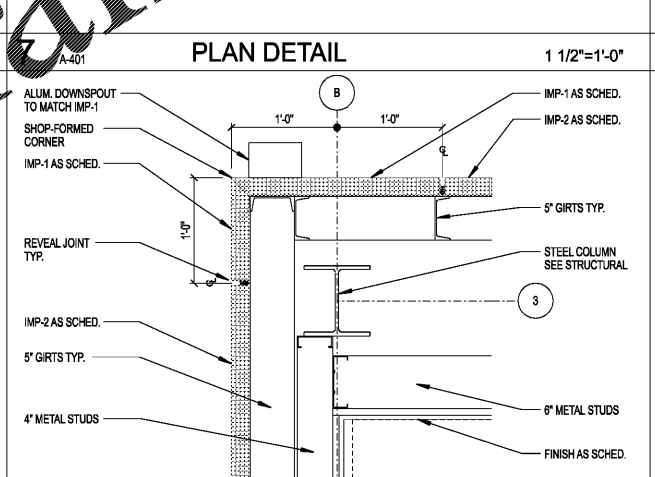
**8** A-401 **PLAN DETAIL** 1 1/2"=1'-0"



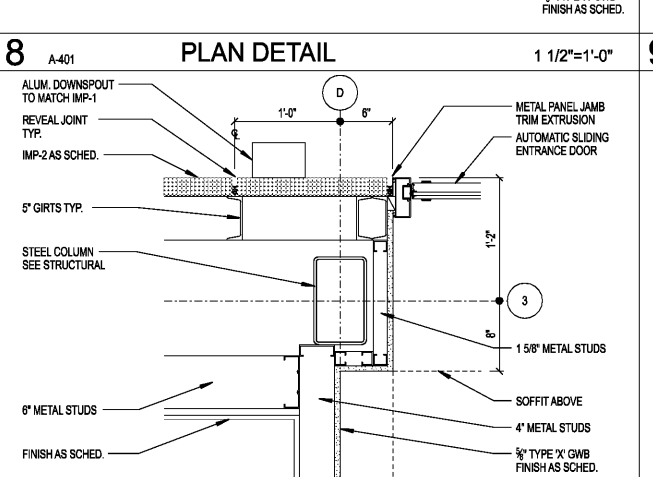
**9** A-402 **PLAN DETAIL** 1 1/2"=1'-0"



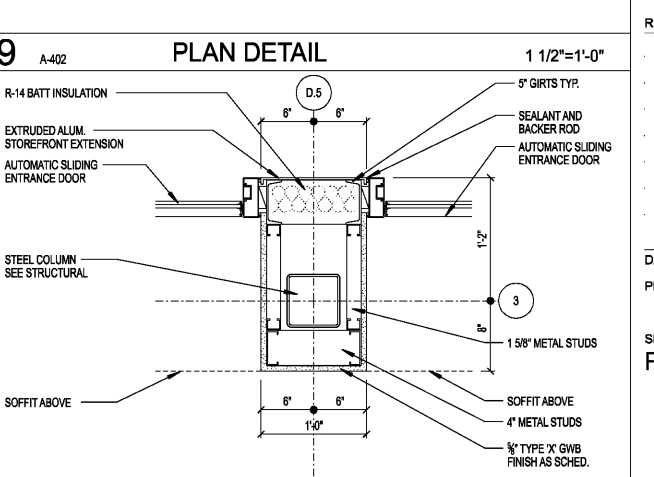
**1** A-401 **PLAN DETAIL** 1 1/2"=1'-0"



**2** A-411 **PLAN DETAIL** 1 1/2"=1'-0"



**3** A-411 **PLAN DETAIL** 1 1/2"=1'-0"



**4** A-401 **PLAN DETAIL** 1 1/2"=1'-0"

Order Plans