



PO BOX 5510 CHARLOTTE, NC 28299
704-331-5747 • www.twgarchitects.com

CIVIL ENGINEER
TALBERT, BRIGHT & ELLINGTON
3525 WHITEHALL PARK DRIVE, SUITE 210
CHARLOTTE, NC 28273
(704) 425-6070 FIRM NO.: C-1183

STRUCTURAL ENGINEER
STEWART
101 N. TRYON ST., SUITE 1400
CHARLOTTE, NC 28202
(704) 999-3525 FIRM NO.: C-1051

MECHANICAL, ELECTRICAL, PLUMBING & FIRE PROTECTION ENGINEER
SABER ENGINEERING
2923 S. TRYON ST., SUITE 280
CHARLOTTE, NC 28203
(704) 373-0068 FIRM NO.: C-2130

LANDSCAPE ARCHITECT
URBAN DESIGN PARTNERS
1315-EE CENTRAL AVENUE
CHARLOTTE, NC 28205
(704) 334-3303 FIRM NO.: C-TBD

COMMUNICATIONS INFRASTRUCTURE
DB CONSULTING
246 LOVEB FARM ROAD
BLACKSBURG, SC 29702
(704) 497-7228 FIRM NO.: C-TBD

REVISIONS

NO.	DATE	DESCRIPTION

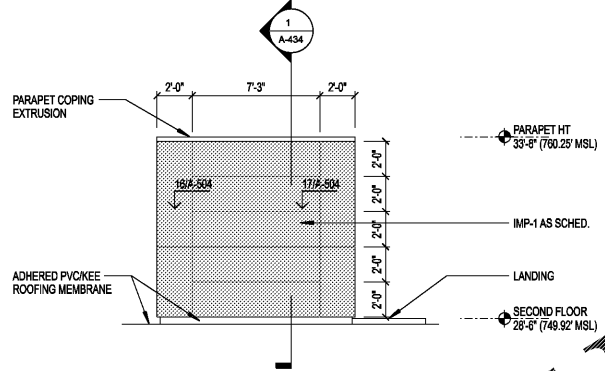
DATE DECEMBER 7, 2016
PROJECT NUMBER 9197-000

SHEET TITLE
ENLARGED STAIR PLANS AND ELEVATIONS

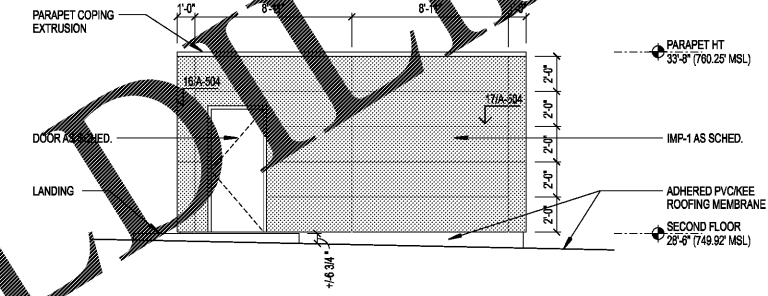
SHEET NUMBER
A-432

LEGEND

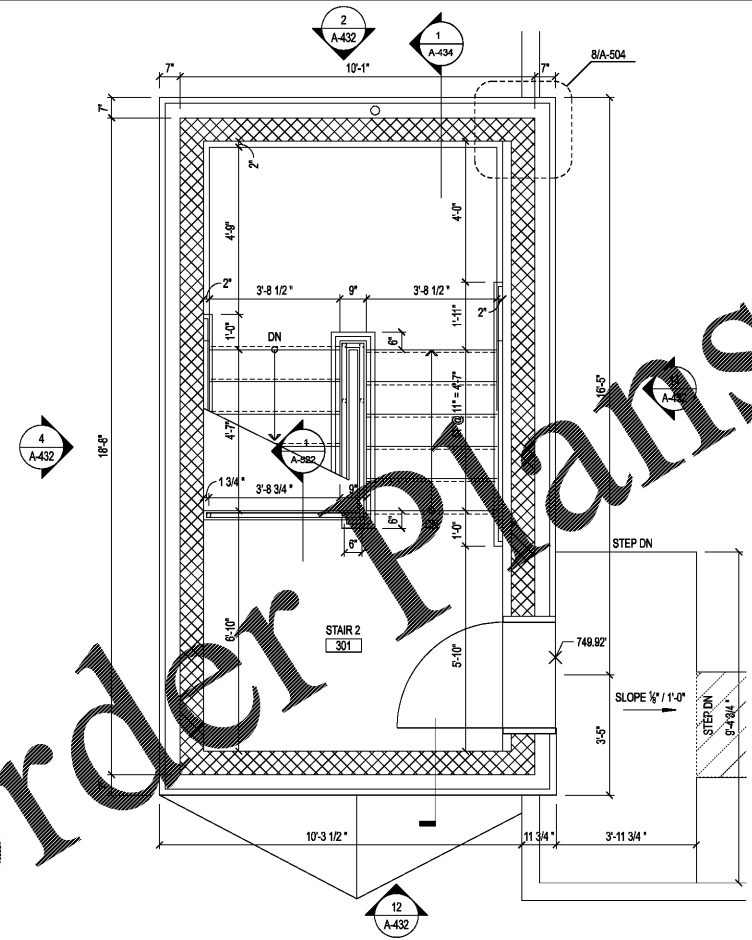
IMP-1	[Pattern]
IMP-2	[Pattern]
IMP-3	[Pattern]



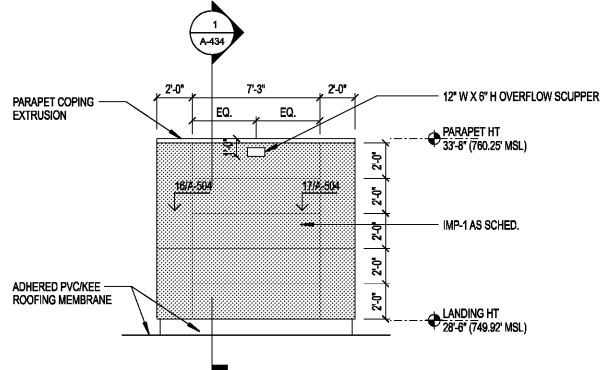
12 A-432 EXTERIOR ELEVATION AT STAIR 1/2"=1'-0"



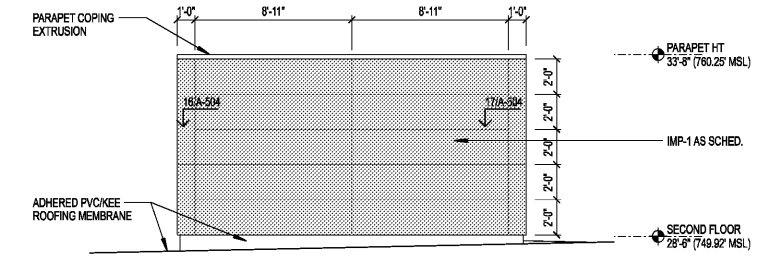
14 A-432 EXTERIOR ELEVATION AT STAIR 1/2"=1'-0"



1 A-151 ENLARGED ROOF LEVEL STAIR PLAN 1/2"=1'-0"



2 A-432 EXTERIOR ELEVATION AT STAIR 1/4"=1'-0"



4 A-432 EXTERIOR ELEVATION AT STAIR 1/4"=1'-0"

Order Plans

@ WWW.LDOnline.com