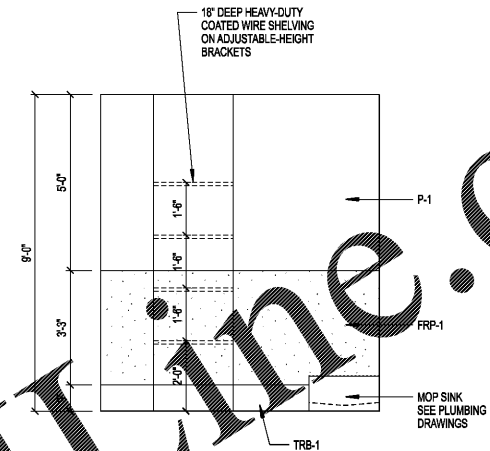
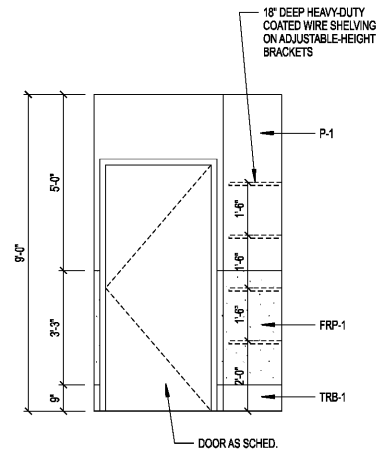
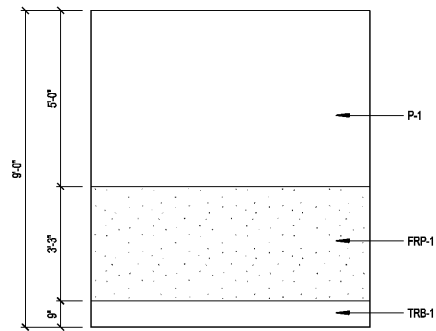
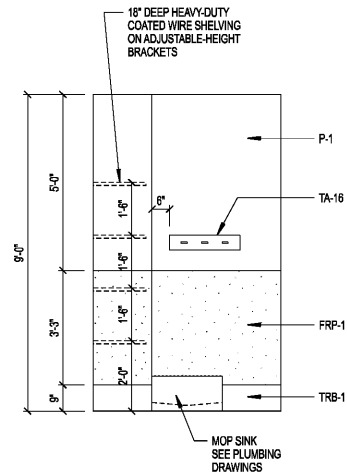


REVISIONS

DATE DECEMBER 7, 2018  
PROJECT NUMBER 9197-000

SHEET TITLE  
**ENLARGED RESTROOM ELEVATIONS**

SHEET NUMBER  
**A-419**

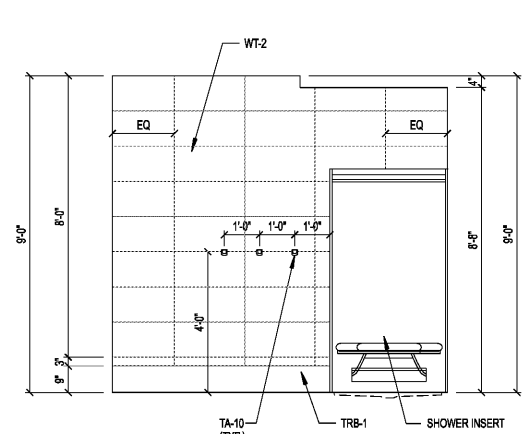
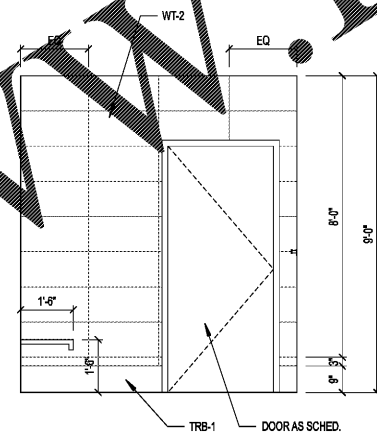
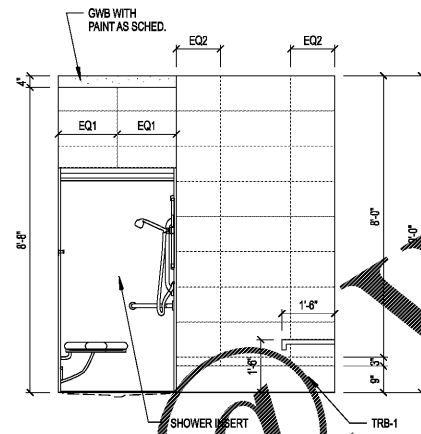
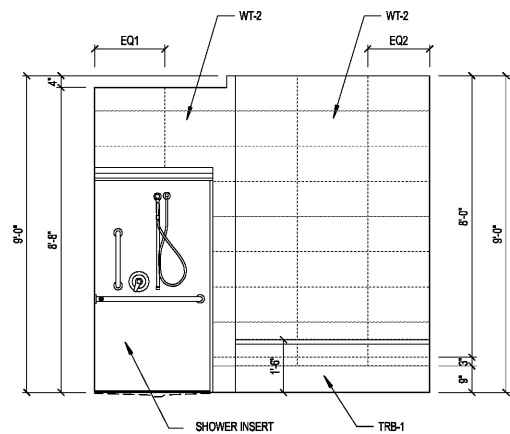


11 A-412 ENL. JANITOR CLOSET ELEV. 1/2"=1'-0"

12 A-412 ENL. JANITOR CLOSET ELEV. 1/2"=1'-0"

13 A-412 ENL. JANITOR CLOSET ELEV. 1/2"=1'-0"

14 A-412 ENL. JANITOR CLOSET ELEV. 1/2"=1'-0"

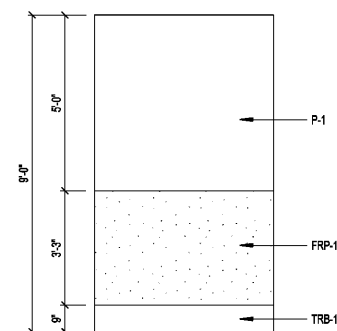
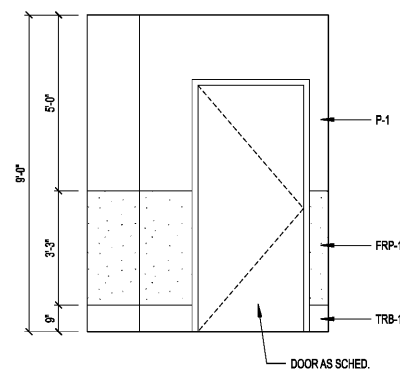
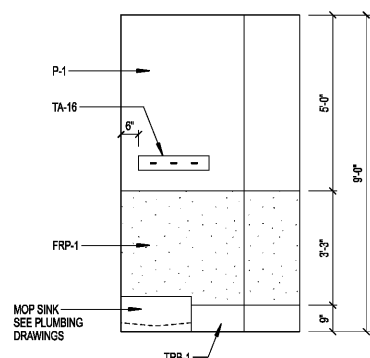
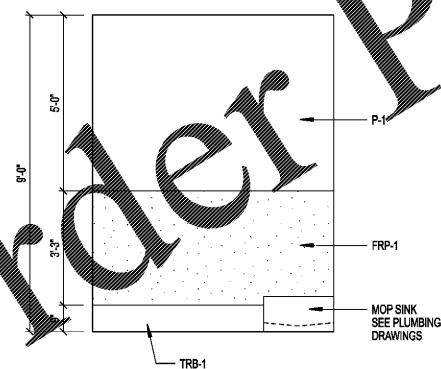


6 A-412 ENLARGED SHOWER RM. ELEV. 1/2"=1'-0"

7 A-412 ENLARGED SHOWER RM. ELEV. 1/2"=1'-0"

8 A-412 ENLARGED SHOWER RM. ELEV. 1/2"=1'-0"

9 A-412 ENLARGED SHOWER RM. ELEV. 1/2"=1'-0"



1 A-412 ENL. JANITOR CLOSET ELEV. 1/2"=1'-0"

2 A-412 ENL. JANITOR CLOSET ELEV. 1/2"=1'-0"

3 A-412 ENL. JANITOR CLOSET ELEV. 1/2"=1'-0"

4 A-412 ENL. JANITOR CLOSET ELEV. 1/2"=1'-0"

Order Plans

WWW.LDLINE.COM