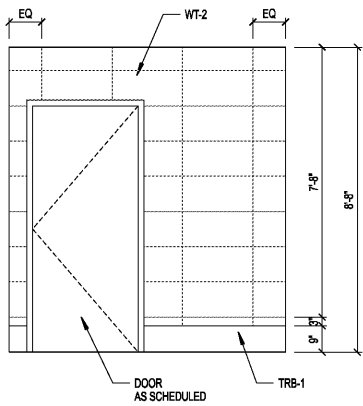


REVISIONS

DATE DECEMBER 7, 2018
 PROJECT NUMBER 9197-000

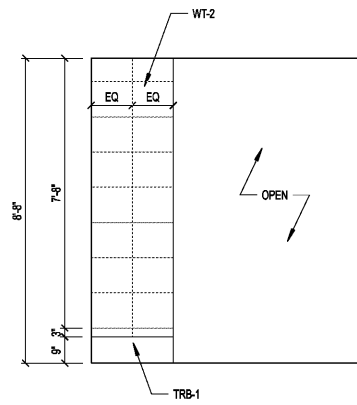
SHEET TITLE
ENLARGED RESTROOM ELEVATIONS

SHEET NUMBER
A-418



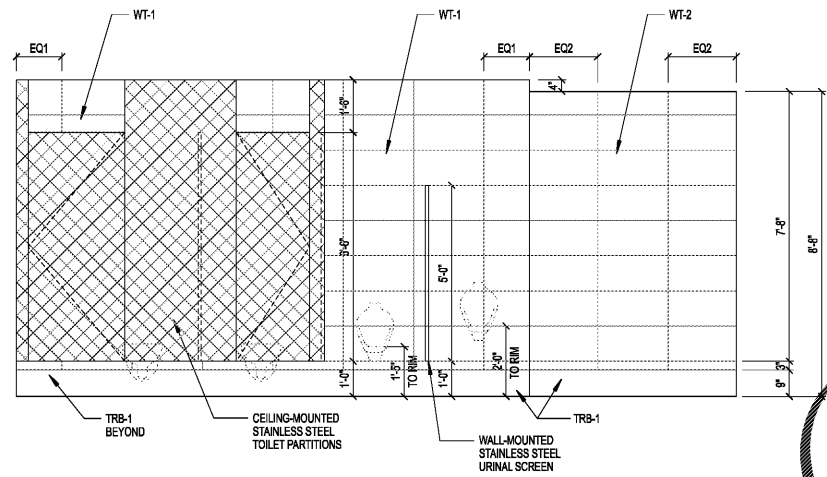
11 A-412 ENLARGED RESTROOM ELEVATION

1/2"=1'-0"



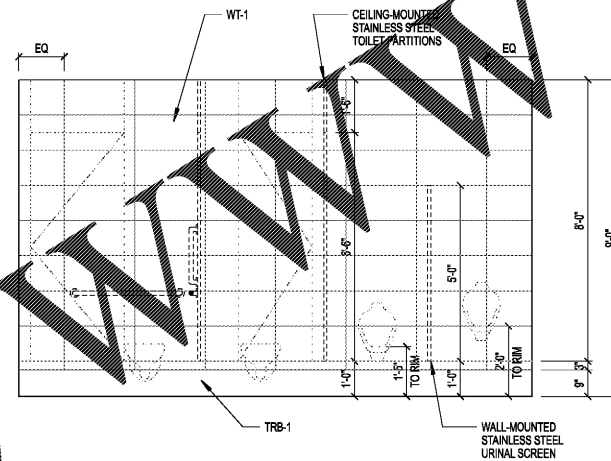
13 A-412 ENLARGED RESTROOM ELEVATION

1/2"=1'-0"



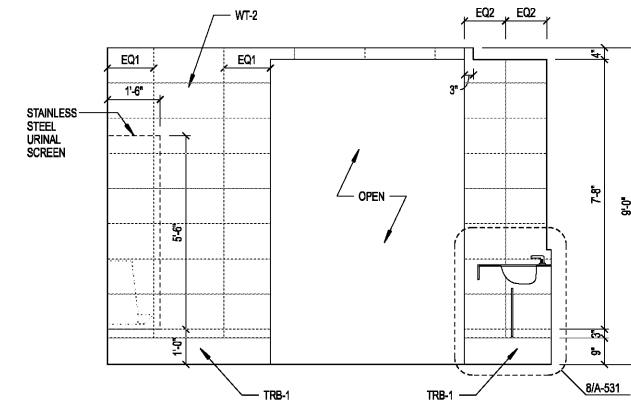
6 A-412 ENLARGED RESTROOM ELEVATION

1/2"=1'-0"



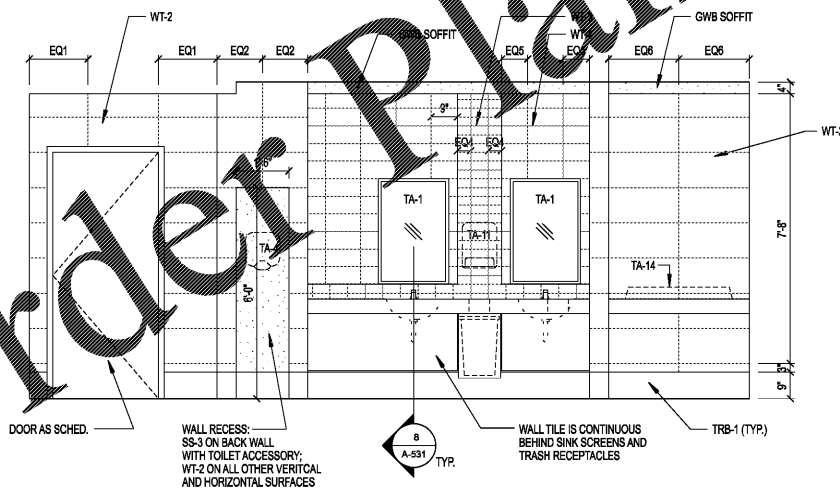
8 A-412 ENLARGED RESTROOM ELEVATION

1/2"=1'-0"



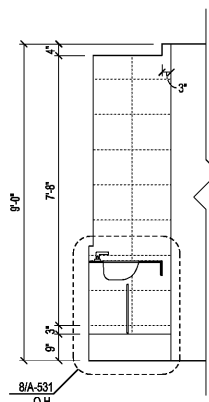
9 A-412 ENLARGED RESTROOM ELEVATION

1/2"=1'-0"



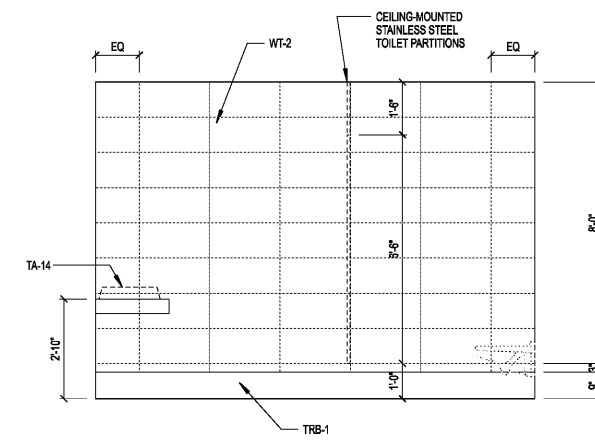
1 A-412 ENLARGED RESTROOM ELEVATION

1/2"=1'-0"



3 A-412 ENLARGED RESTROOM ELEVATION

1/2"=1'-0"



4 A-412 ENLARGED RESTROOM ELEVATION

1/2"=1'-0"

Order Plans

WWW.LDILine.com