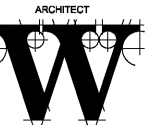


**WILSON AIR CENTER
NORTH TERMINAL**

HCDT
CHARLOTTE-DORRIS
INTERNATIONAL ARCHITECTS
5327 MONROE FIELD DRIVE
CHARLOTTE, NC 28205



THE WILSON GROUP
- ARCHITECTS -

PO BOX 5510 CHARLOTTE, NC 28299
704-331-9747 • www.wgarchitects.com

CIVIL ENGINEER
TALBERT, BRIGHT & ELLINGTON
3525 WHITEHALL PARK DRIVE, SUITE 210
CHARLOTTE, NC 28273
(704) 428-8070 FIRM NO.: C-1183

STRUCTURAL ENGINEER
STEWART
101 N. TRYON ST., SUITE 1400
CHARLOTTE, NC 28202
(704) 999-3525 FIRM NO.: C-1051

MECHANICAL, ELECTRICAL, PLUMBING & FIRE PROTECTION ENGINEER
SABER ENGINEERING
2923 S. TRYON ST., SUITE 280
CHARLOTTE, NC 28203
(704) 373-0088 FIRM NO.: C-2130

LANDSCAPE ARCHITECT
URBAN DESIGN PARTNERS
1315-E9 CENTRAL AVENUE
CHARLOTTE, NC 28205
(704) 334-3303 FIRM NO. C-TBD

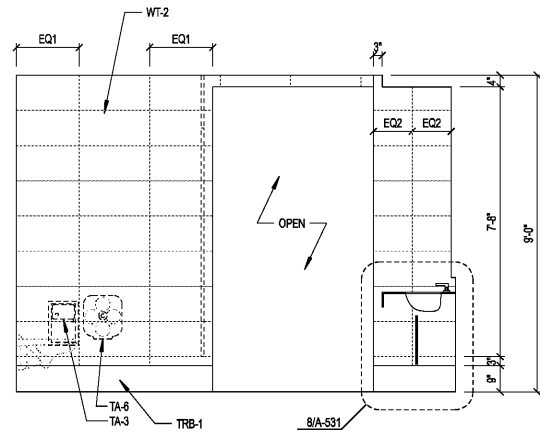
COMMUNICATIONS INFRASTRUCTURE
DB CONSULTING
246 LOVES FARM ROAD
BLACKSBURG, SC 29702
(704) 497-7228 FIRM NO. C-TBD

REVISIONS

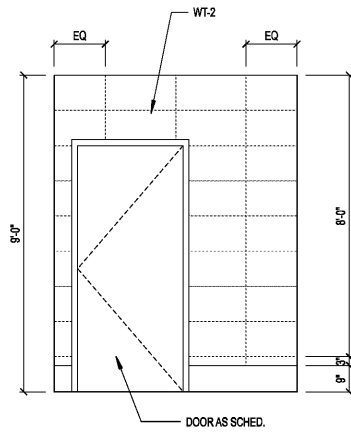
DATE DECEMBER 7, 2018
PROJECT NUMBER 9197-000

SHEET TITLE
ENLARGED RESTROOM ELEVATIONS

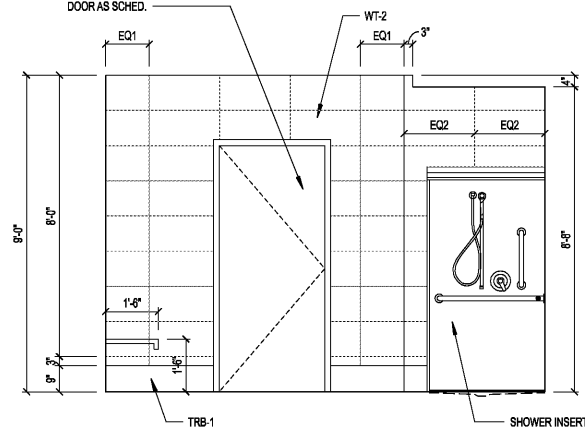
SHEET NUMBER
A-417



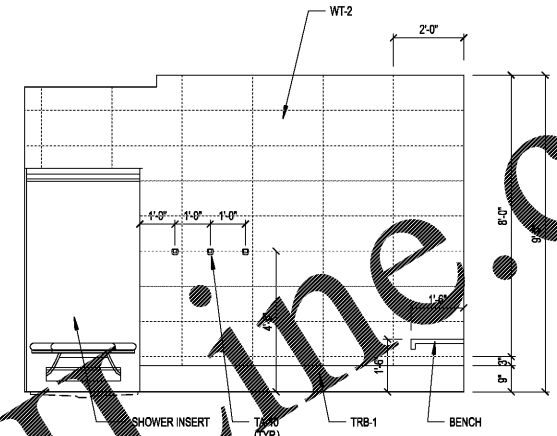
11 A-411 ENLARGED RESTROOM ELEVATION 1/2"=1'-0"



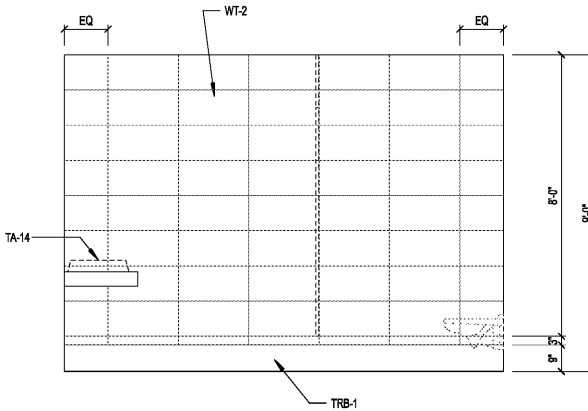
12 A-411 ENL. RESTRM ELEV. 1/2"=1'-0"



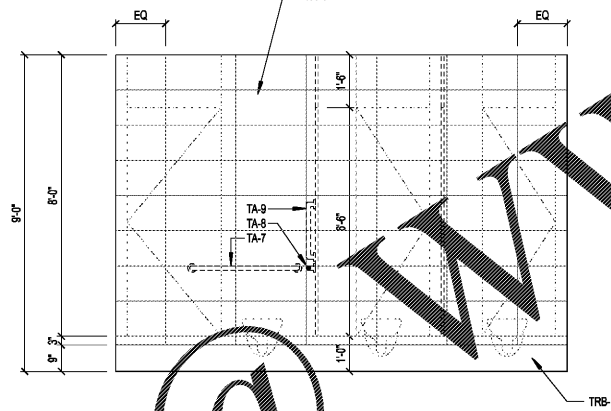
13 A-411 ENLARGED RESTROOM ELEV. 1/2"=1'-0"



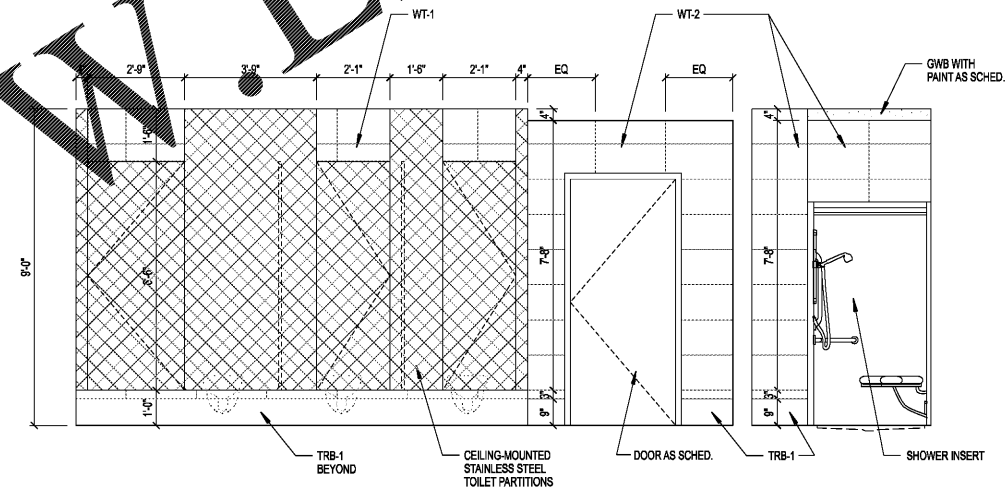
14 A-411 ENLARGED RESTROOM ELEV. 1/2"=1'-0"



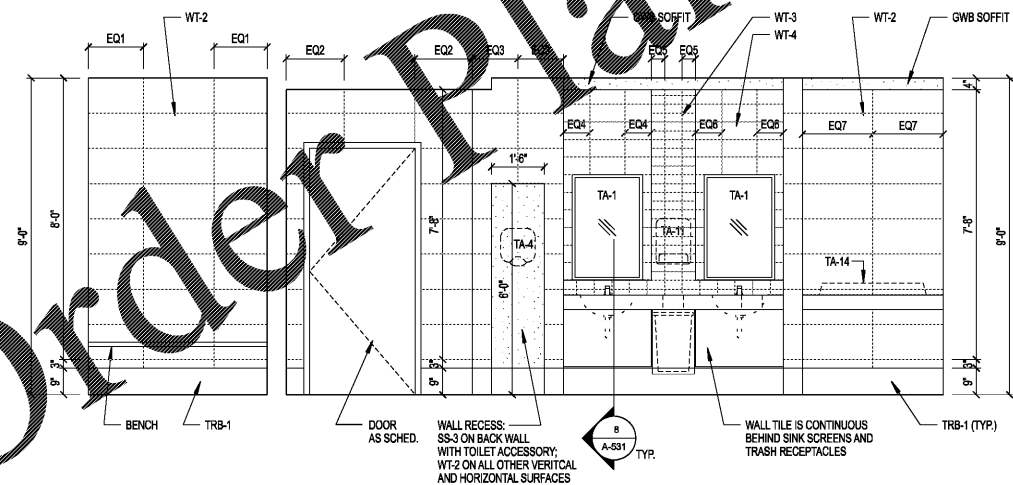
6 A-412 ENLARGED RESTROOM ELEVATION 1/2"=1'-0"



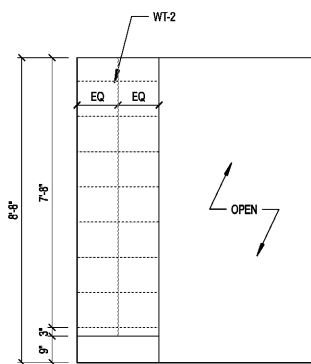
7 A-412 ENLARGED RESTROOM ELEVATION 1/2"=1'-0"



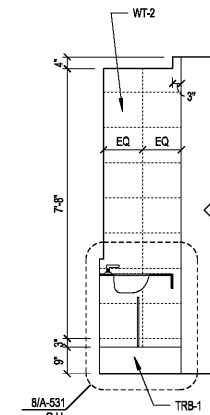
8 A-412 ENLARGED RESTROOM ELEVATION 1/2"=1'-0"



1 A-412 ENLARGED RESTROOM ELEVATION 1/2"=1'-0"



3 A-412 ENL. RESTROOM ELEVATION 1/2"=1'-0"



4 A-412 ENL. RESTROOM ELEVATION 1/2"=1'-0"

Order Plans

WWW.WALDLINE.COM