



THE WILSON GROUP
ARCHITECTS

PO BOX 5510 CHARLOTTE, NC 28299
704-331-9747 • www.wlgarchitects.com

CIVIL ENGINEER
TALBERT, BRIGHT &
ELLINGTON
3525 WHITEHALL PARK DRIVE, SUITE 210
CHARLOTTE, NC 28273
(704) 428-6070 FIRM NO.: C-1183

STRUCTURAL ENGINEER
STEWART
101 N. TRYON ST., SUITE 1400
CHARLOTTE, NC 28202
(704) 999-3525 FIRM NO.: C-1051

MECHANICAL, ELECTRICAL, PLUMBING &
FIRE PROTECTION ENGINEER
SABER ENGINEERING
2923 S. TRYON ST., SUITE 280
CHARLOTTE, NC 28203
(704) 373-0068 FIRM NO.: C-2130

LANDSCAPE ARCHITECT
URBAN DESIGN
PARTNERS
1315-EE CENTRAL AVENUE
CHARLOTTE, NC 28205
(704) 334-3303 FIRM NO.: C-TBD

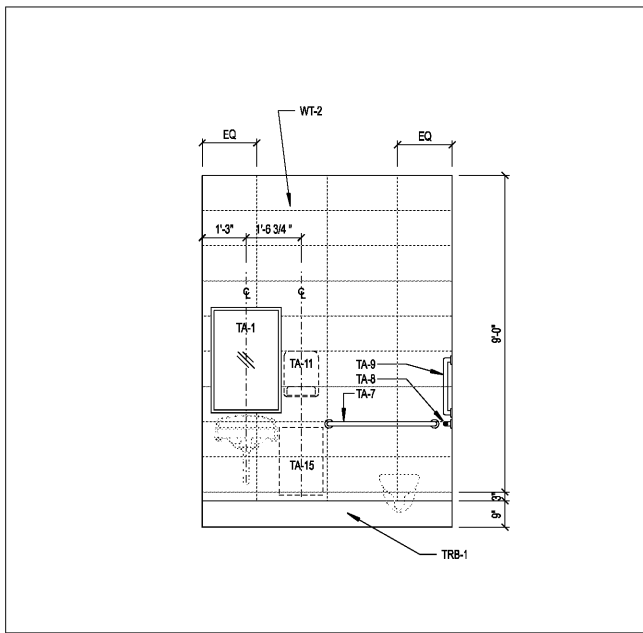
COMMUNICATIONS INFRASTRUCTURE
DB CONSULTING
246 LOVES FARM ROAD
BLACKSBURG, SC 29702
(704) 497-7228 FIRM NO.: C-TBD

REVISIONS

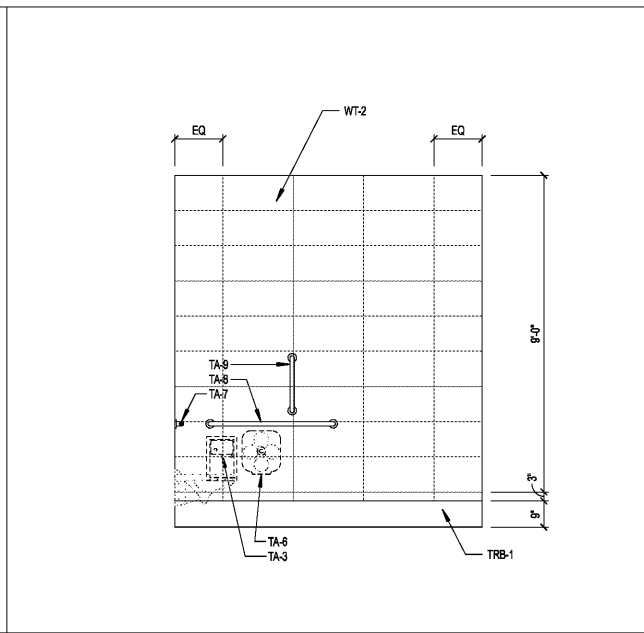
DATE DECEMBER 7, 2018
PROJECT NUMBER 9197-000

SHEET TITLE
ENLARGED
RESTROOM
ELEVATIONS

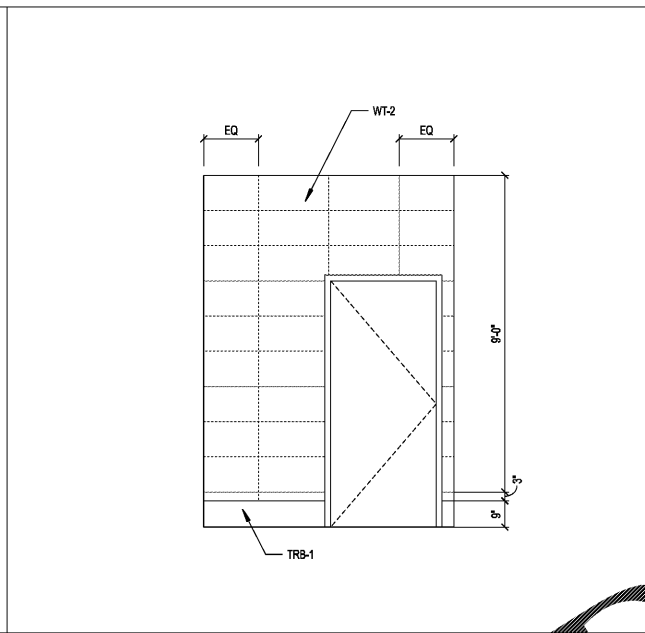
SHEET NUMBER
A-415



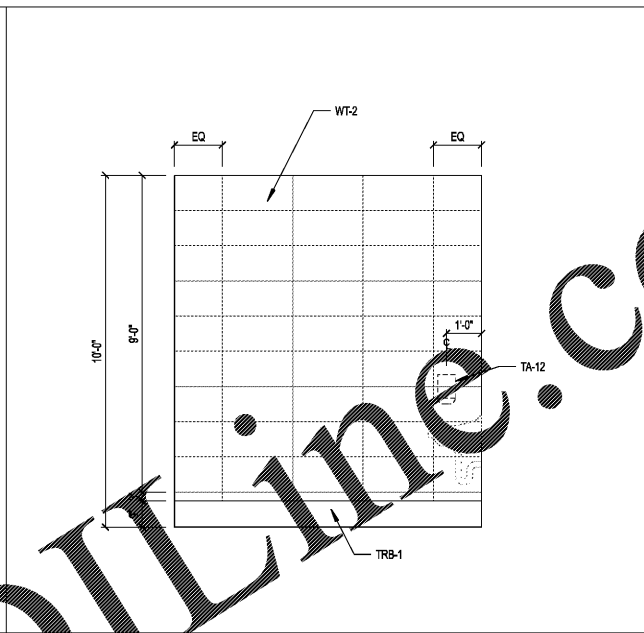
11 A411 ENL. RESTROOM ELEV. 1/2"=1'-0"



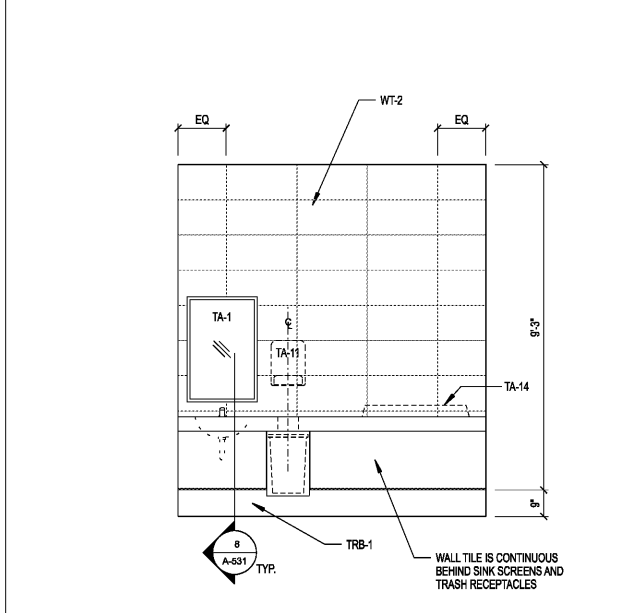
12 A411 ENL. RESTROOM ELEV. 1/2"=1'-0"



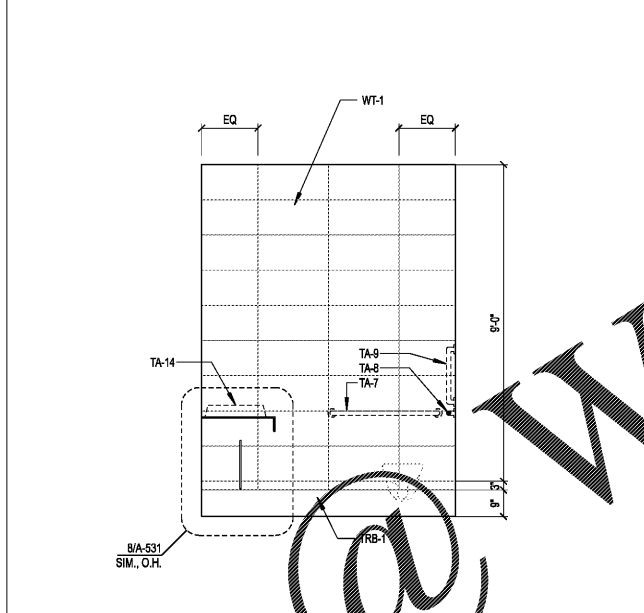
13 A411 ENL. RESTROOM ELEV. 1/2"=1'-0"



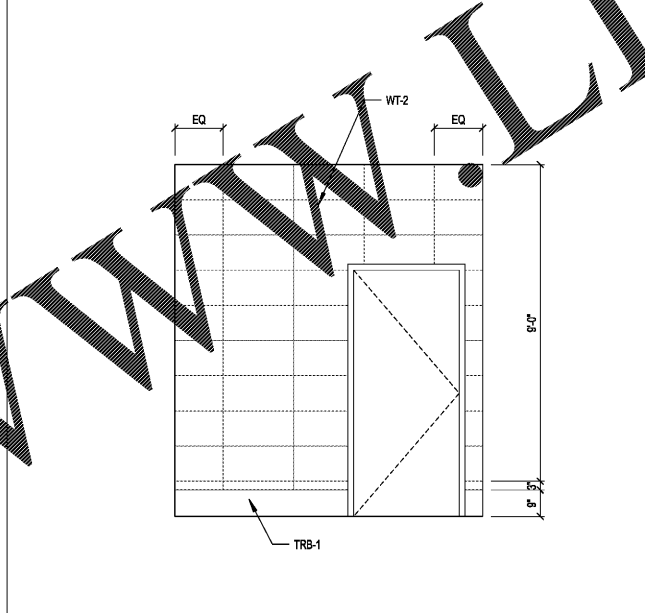
14 A411 ENL. RESTROOM ELEV. 1/2"=1'-0"



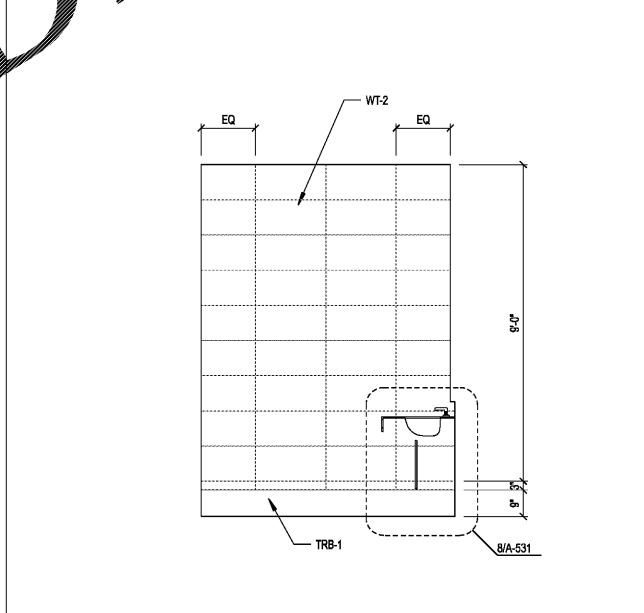
6 A411 ENL. RESTROOM ELEV. 1/2"=1'-0"



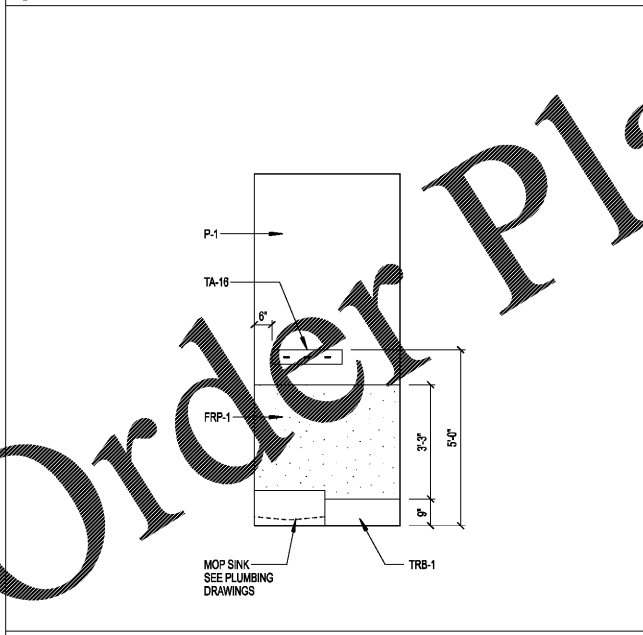
7 A411 ENL. RESTROOM ELEV. 1/2"=1'-0"



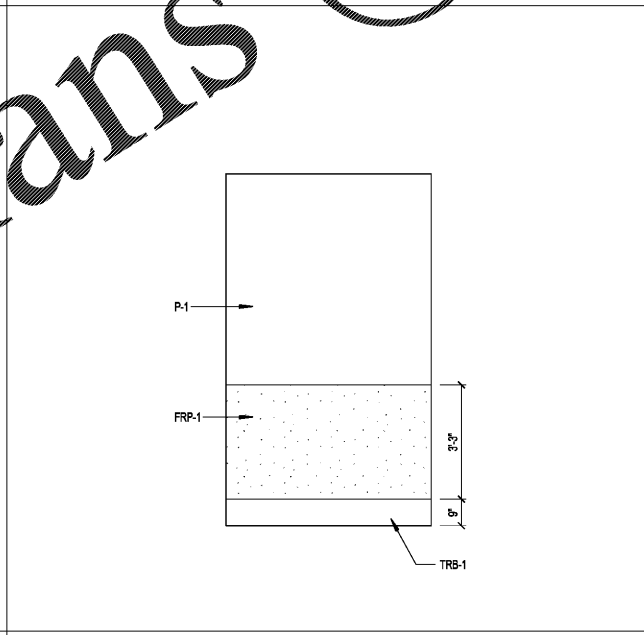
8 A411 ENL. RESTROOM ELEV. 1/2"=1'-0"



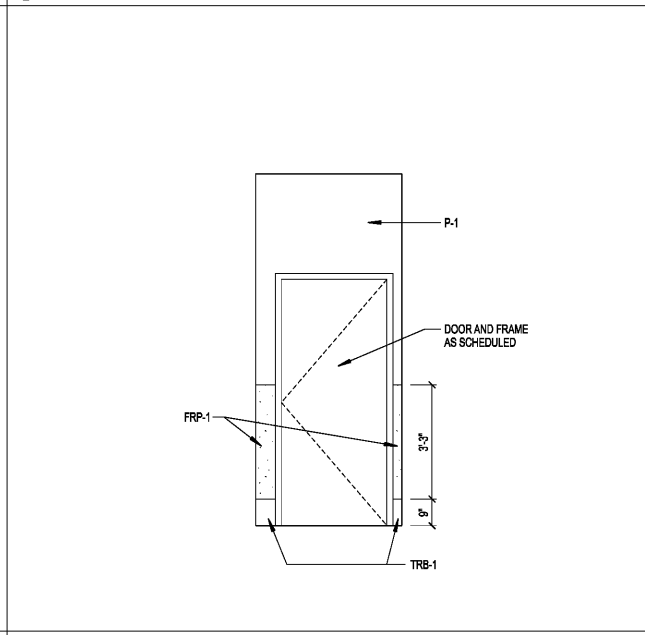
9 A411 ENL. RESTROOM ELEV. 1/2"=1'-0"



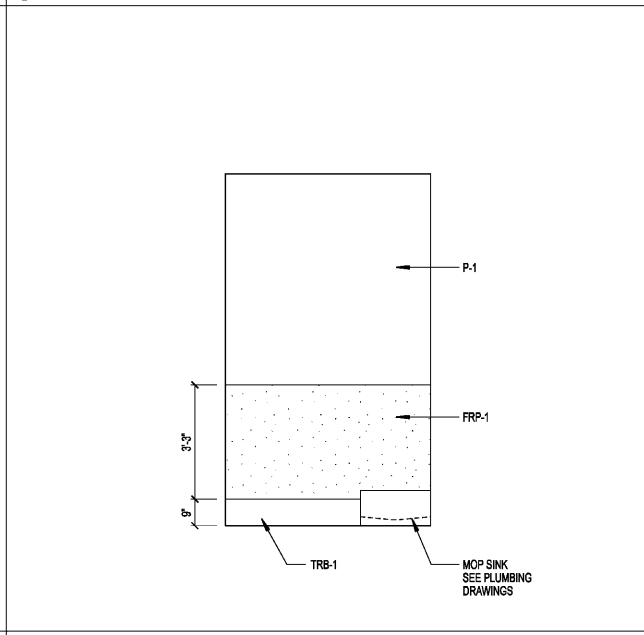
1 A411 ENL. JANITOR CLOSET ELEV. 1/2"=1'-0"



2 A411 ENL. JANITOR CLOSET ELEV. 1/2"=1'-0"



3 A411 ENL. JANITOR CLOSET ELEV. 1/2"=1'-0"



4 A411 ENL. JANITOR CLOSET ELEV. 1/2"=1'-0"

Order Plans @ WWW.LDLINE.COM