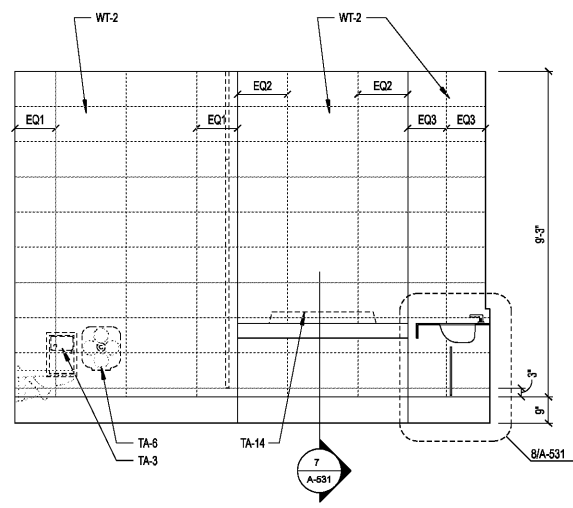


REVISIONS

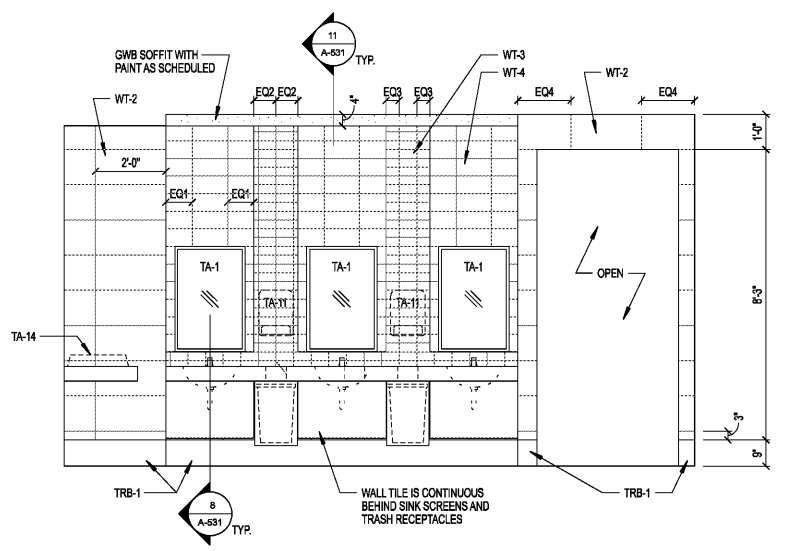
DATE DECEMBER 7, 2016
PROJECT NUMBER 9197-000

SHEET TITLE
ENLARGED RESTROOM ELEVATIONS

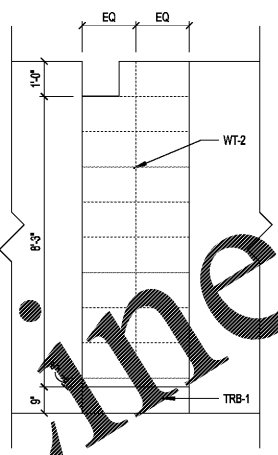
SHEET NUMBER
A-413



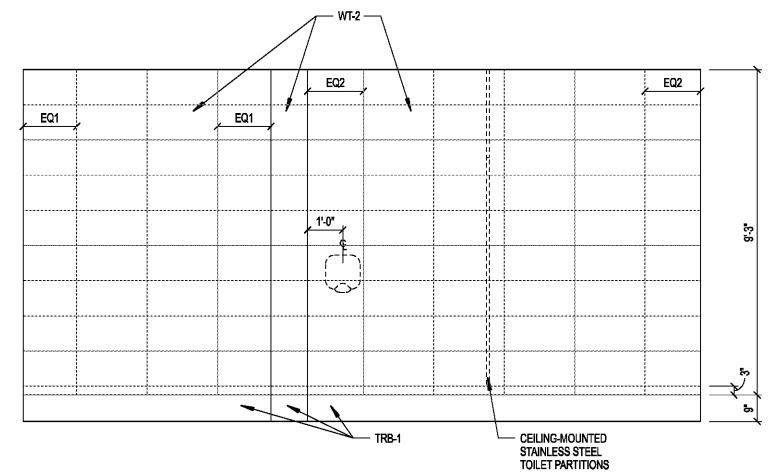
11 A-411 ENLARGED RESTROOM ELEVATION 1/2"=1'-0"



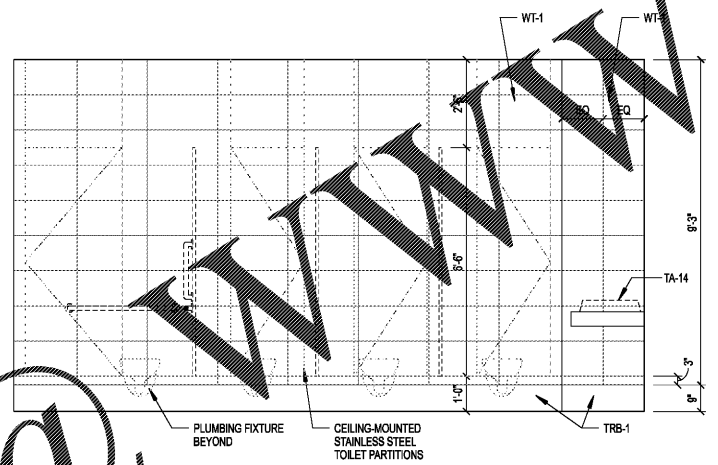
13 A-411 ENLARGED RESTROOM ELEVATION 1/2"=1'-0"



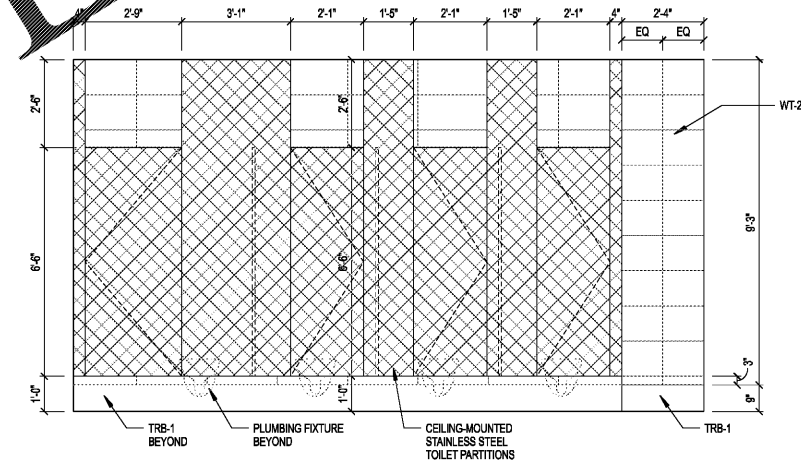
15 A-411 ENLRG RESTROOM ELEV 1/2"=1'-0"



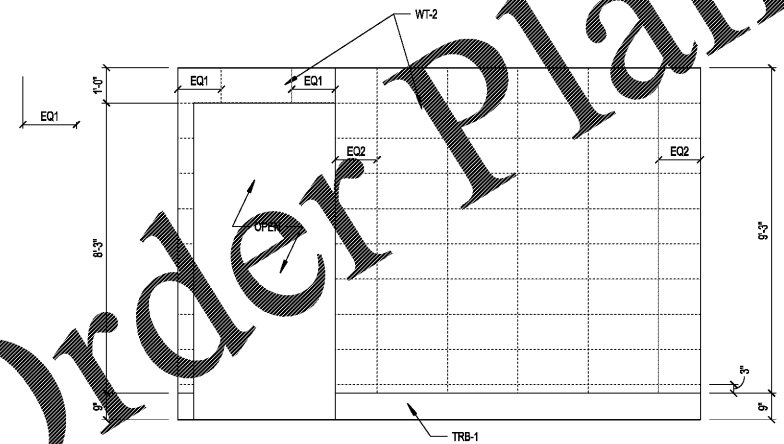
6 A-411 ENLARGED RESTROOM ELEVATION 1/2"=1'-0"



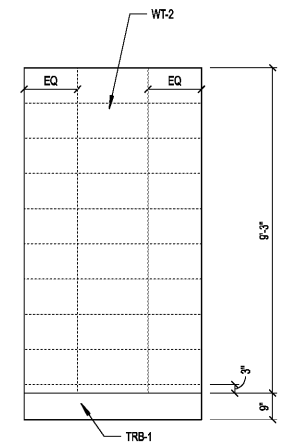
8 A-411 ENLARGED RESTROOM ELEVATION 1/2"=1'-0"



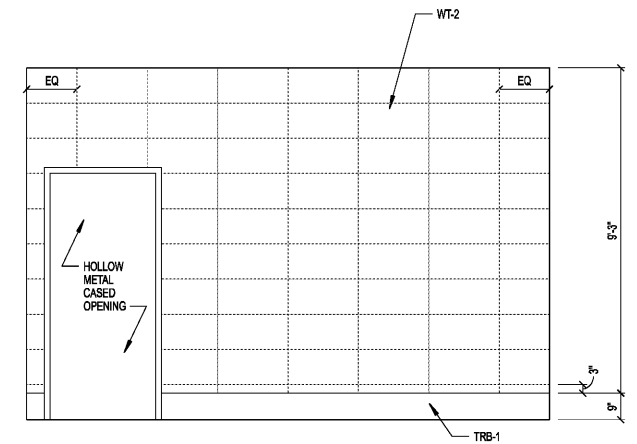
9 A-411 ENLARGED RESTROOM ELEVATION 1/2"=1'-0"



1 A-411 ENLARGED RESTROOM ELEVATION 1/2"=1'-0"



3 A-411 ENLARGED RESTROOM ELEV 1/2"=1'-0"



5 A-411 ENLARGED RESTROOM ELEVATION 1/2"=1'-0"

Order Plans

WWW.LDILLINE.COM